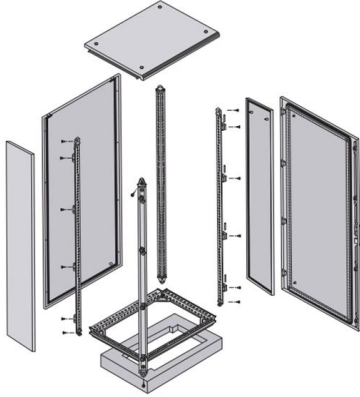


Does China and Africa sell optical fiber cables





Does China and Africa sell optical fiber cables



Top Import Markets for Optical Fiber Cables: Key Statistics

In this article, we will explore the world's best import markets for optical fiber cables, backed by key statistics and data from the IndexBox market

Top Import Markets for Optical Fiber Cables: Key Statistics

As a result, the demand for optical fiber cables has soared in recent years, leading to a thriving global market. In this article, we will explore the



China Top 10 Fiber Optic Cable Manufacturers in 2025

This guide ranks China's top 10 fiber optic cable manufacturers for 2025, based on market share, production capacity, innovation, and global reach. The list prioritizes companies with

Best 10 Fiber Optic Cable Manufacturers & Suppliers in

This post lists 10 leading fiber optic cable manufacturers and suppliers in South Africa. Take a look at their list and obtain detailed information



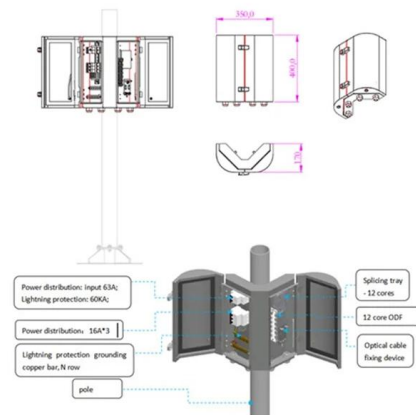
Fiber Optic Cable Market Size

The Fiber Optic Cable Market worth USD 14.22 billion in 2026 is growing at a CAGR of 9.84% to reach USD 22.74 billion by 2031. Corning Inc.,



Africa's Optical Fiber, Bundles, and Cable Market Set to

Despite the promising outlook, Africa still faces challenges in scaling fiber networks. The high cost of deployment, especially in rural or remote areas,



China's Optical Fiber Cable Industry: Competitive

In conclusion, while China benefits greatly from low costs and economies of scale in the optical fiber cable industry, it faces disadvantages in innovation. Government



Optical Fiber and Cable Manufacturing in China Industry

Expert industry market research on the Optical Fiber and Cable Manufacturing in China (2015-2030). Make better business decisions, faster with IBISWorld's industry market research reports, statistics,



Top 24 Fiber Optic Cable Manufacturing Companies

Explore fiber optic cable manufacturing companies like AFL and WEC, emphasizing innovation and quality in telecommunications solutions.

20 Largest Fiber Optic Cable Companies (2025 List)

Updated list of the 20 largest fiber-optic cable makers--profiles, product lines, regions, and sourcing tips to shortlist vendors.



Global Fiber Optic Cable Growth Analysis

High cost of fiber optic cable is a key challenge affecting the industry growth. The market is experiencing significant growth due to the advantages it offers, such as



Africa's Optical Fiber Cables Market Report 2026

Africa's optical fiber cables market is characterized by concentrated consumption and production, with significant intra-regional trade flows. Egypt is the dominant consumer and producer



Africa's Optical Fibers, Bundles and Cables Market to

Learn about the projected growth of the optical fibers market in Africa over the next decade, driven by increasing demand for fibers, bundles, and

Fiber Optic Cable Market Size, Share & Trends Report,

The global fiber optic cable market was valued at USD 13 billion in 2024 and is estimated to grow at a CAGR of 10.4% to USD 34.5 billion in 2034.



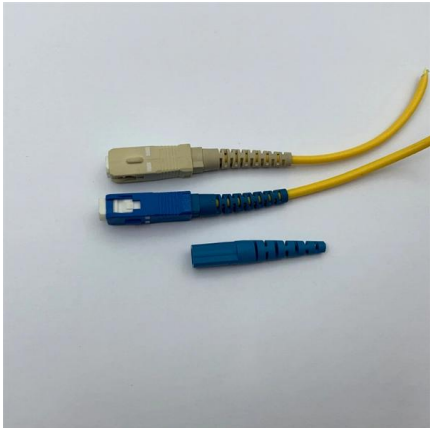
Import and Ship Guide for Fiber Optic Cables from China

As an efficient communication transmission medium, fiber optic cable plays a vital role in today's interconnected world. China's fiber optic cable exports are increasing year by year, and it is



Fiber Optic Cable Market Size, Share, Industry Outlook 2026

The fiber optic cable market is expected to reach US\$ 32.7 billion by 2032, growing at a significant CAGR of 11.3% from 2026 to 2032.



Africa's Optical Fibers, Bundles and Cables Market to Reach 140K

The article discusses the increasing demand for optical fibers, bundles, and cables in Africa, with the market expected to continue growing over the next decade. Market performance is forecasted to

China-invested fiber cable manufacturer boosts Internet

A Chinese-invested fiber optic cable manufacturing company in South Africa, in partnership with local firms, has become a backbone of the country's



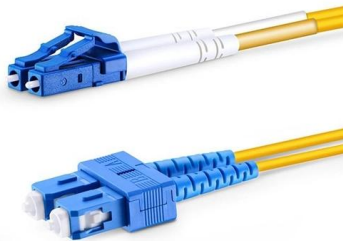
CMU School of Computer Science

é zæ´² africa å --é z africa é zæ´² african å --é z african å --é z africans é zæ´²äºº africans å®zåoe" afro å Z after ä¹<å Z after å Z aftermath ä ,<å ^ afternoon å ^å Z afternoon ä ,<å ^ afternoons å Z afternoons



Chinese firm inks deal to boost supply of internet products in East Africa

Ranjit Thakur, CEO of CP Cables, said that the partnership will ensure that the East African region has access to sufficient stocks of quality fiber products that keep up with rising demand.

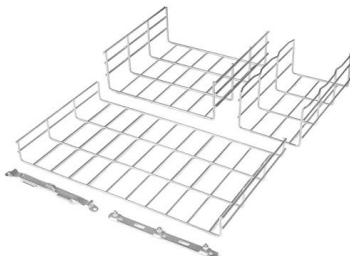


Home

We anticipate market needs, innovate and constantly refine our manufacturing processes and products to deliver faster speeds and more flexible applications for the African market. To mitigate complexity

Best 10 Fiber Optic Cable Manufacturers & Suppliers in

They specialize in the manufacturing of fiber optic cables, with a product portfolio including FTTH cables, aerial cables, underground cables, and



Optical Fiber Cable Market Size, Share, and Trends

The global Optical Fiber Cable market size was estimated at USD 5,896.39 Million in 2022 and is estimated to grow at a CAGR of 12.2% from 2023 to 2030.



Optical Fiber Cables Buyers & Importers in Africa

Sell Optical Fiber Cables in bulk to verified buyers and importers from Africa. Connect with businesses actively looking to buy wholesale Optical Fiber Cables at best prices.



Contact Us

For datasheets, pricing, or custom high-speed optical interconnect solutions, please visit:

<https://www.syropy.com.pl>