

Do you still need to buy a router for fiber optic internet access





Do you still need to buy a router for fiber optic internet access



What You Need to Install Fiber-Optic Internet

Usually setting up fiber internet requires a professional installation, but there are some parts of the process you can do yourself. For those taking

Do you need a special router for fiber optic internet?

No special router needed for fiber internet. Use a compatible router for optimal performance.



Get the Fastest Fiber Internet Service , AT& T Fiber

AT& T Fiber Internet is rated #1 in perceived value. Get the best fiber internet with speeds up to 5 GIG. No annual contract and no data caps.



Fiber Optic Equipment: What Do You Need for Internet?

Fiber internet is fast, secure, & reliable, so long as you have the right devices! Click here to see the fiber optic equipment needed to enjoy stellar service.



Does Fiber Internet Need A Modem? Here's How It

While fiber internet doesn't require a modem, you still need a router to distribute the connection across your network. Your router works hand-in-hand with the ONT,



Switching to Fiber Internet: What You Need to Know for

But you will still need a high-bandwidth, high-quality router that can support fiber performance to start delivering better WiFi to your home. Switching to fiber could



Fiber Optic Equipment: What Do You Need for Internet?

You don't need a special router, per se, but you do need one that can handle the speed fiber provides. If you're paying for gigabit fiber service, make sure your router supports at least





What does my house need for fiber internet?

Discover what your home needs for fiber internet. Learn about fiber optic cables, ONT, and router requirements for a fast connection.



Everything You Need to Know About Ethernet

Here's everything you need to know about Ethernet. You may also want to dip into our guides on [How to Buy a Router](#), [Best Wi-Fi Routers](#), and [Best](#)

Do I Need a Modem and a Router?

While the ONT is necessary for converting the fiber optic signal, you will still need a router to distribute the internet connection to multiple devices



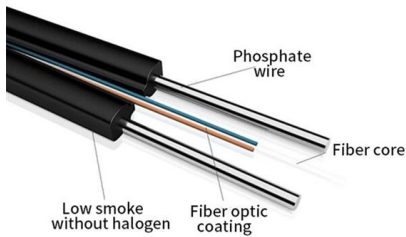
Fiber Internet and Modem Requirements: Demystifying

The straightforward answer is no, you do not need a modem for fiber internet. Unlike DSL or cable internet, fiber optic connections operate differently, though a fiber



9 Best Fiber Internet Routers 2025 , HighSpeedOptions

Make the most of your fiber internet connection with the right equipment. Here we show you the 9 best routers for fiber internet.

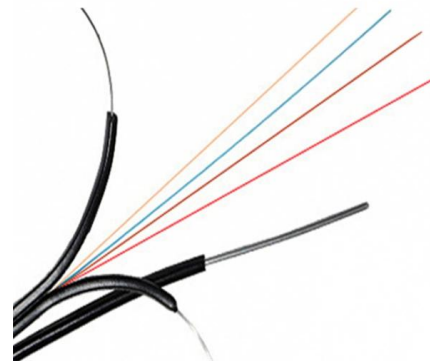


Do You Need a Fiber Internet Modem? , Allconnect

Do you need a new fiber internet modem? If you recently switched providers or added new service, the answer may be different than you think.

Do you need a modem with fiber-optic internet?

However, in the case of fiber optics, the transmission technology is different and you again need a modem to translate the optical signals into usable internet. ONT



Want a Fiber Internet Connection? Read This First

Other considerations like prices, availability and fees will ultimately determine fiber's efficiency for your home internet needs and budget. Still, fiber internet is pretty



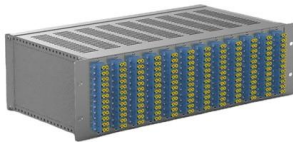
Do You Need A Router For Fiber Optic Internet? Updated 2024

This blog post will explain what a router is, its importance in internet connectivity, and Do You Need A Router For Fiber Optic Internet. In short, Yes, you need a router for fiber optic internet to



What Equipment is Needed for Fiber Optic Internet?

Discover the essential equipment needed for fiber-optic internet, including modems, routers, Ethernet cables and more. Learn how to optimize



What Equipment Do I Need for Fiber Internet

Find out what equipment you need for fiber internet in your home, including fiber compatible routers, mesh Wi-Fi, Ethernet cables, and ONTs from Ezee Fiber.



Fiber vs. Cable Internet Equipment Guide: What You

Do You Need a Modem for Fiber? Surprisingly, fiber optic internet doesn't use a modem at all. Since modems primarily convert electrical

Do Fiber Internet Connections Require a Modem? , EPB



If you have cable internet, you're probably accustomed to relying on a modem for your connection and may be wondering, "Does fiber need a modem?" In this



Best Router for Popular Internet Providers: A Complete

Best Router for Popular Internet Providers: A Complete Guide Popular internet service providers (ISPs) such as Cox, Spectrum, Xfinity, and fiber-optic



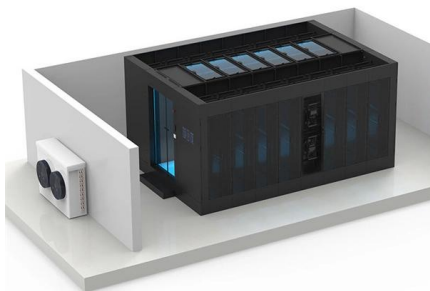
Unlocking the Power of Fiber Optic Internet: Do You Need a Special

The short answer is no, you don't necessarily need a special router for fiber optic internet. However, having a router that is optimized for fiber optic internet can make a big difference



ONT What is it and how is it used in a fiber network?

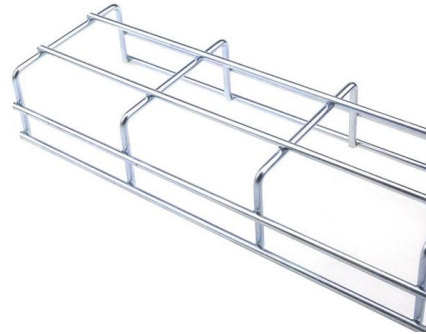
But what exactly is it--and do you need one? An ONT, or Optical Network Terminal, is a device that converts fiber optic signals from your Internet provider into





Fiber Optic Router What is it and why do you need one?

However, you can still get fast and reliable Internet with a non-fiber modem and router. The type of devices that you choose comes down to your Internet setup,



Complete Guide to Fiber Optic Home Networking

The fiber optic signal brings the capability for high-speed internet to your home. Without Wi-Fi to create a wireless network, you would be limited to

Fiber Internet and Modem Requirements: Demystifying

In addition, a fiber internet modem and router setup simplifies connectivity for users transitioning to high-speed fiber optic networks, as a fiber modem is a crucial



Do you need a Modem for Fiber Optic Internet? (Explained!)

So, you don't need to buy a modem, but you might have to buy a router to share the internet. Let us understand how a fiber optic internet works and how it avoids a modem for its functionality.



Fiber vs. Cable Internet Equipment Guide: What You

While you don't need a "fiber-specific" router, you do need one capable of handling fiber's high speeds. Standard cable routers may bottleneck



Contact Us

For datasheets, pricing, or custom high-speed optical interconnect solutions, please visit:
<https://www.syropy.com.pl>