

Distribution box label pdca





Distribution box label pdca

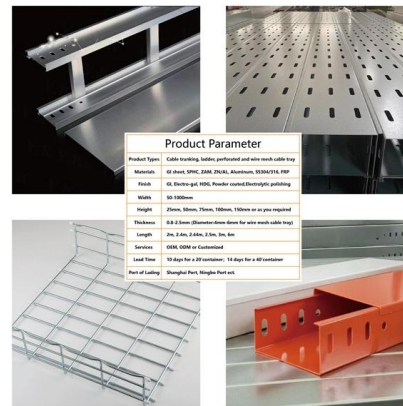


Power Distribution Boxes Explained Simply

Learn what a power distribution box is, how it works, key components, types, and why it's vital for safe and efficient electrical systems.

Understanding Distribution Boxes: A Comprehensive Guide

A distribution box, also known as a power distribution box or electrical distribution box, is used to distribute electrical power safely to multiple



How to Read and Interpret Your Distribution Box Labels

Understand your distribution box labels to identify circuits, improve safety, and troubleshoot electrical issues in your home with confidence.

Create a Priority Mail Open and Distribute (PMOD)

Summary ¶ This operation purchases and prints a label for USPS ® -approved Priority Mail Open and Distribute (PMOD) container. PMOD uses Priority Mail to



A FOCUS PDCA Quality Improvement Model For

Conclusions The FOCUS-PDCA quality improvement model is a circular improvement process which can effectively reduce the incidence of sterile



DMM Revision: Express Mail Open and Distribute and Priority Mail

Currently, for customers using USPS ® -provided letter trays for Priority Mail Open and Distribute, the Postal Service(TM) provides the option to use sacks, USPS-supplied tray boxes, or Label 23, an



PDCA Templates

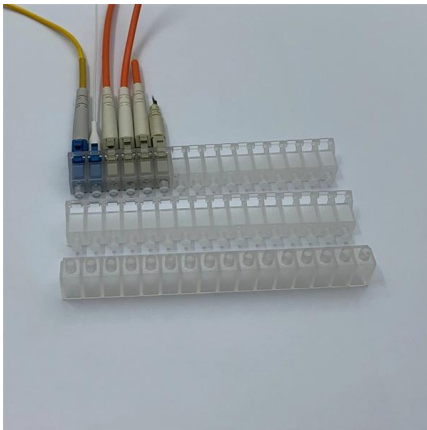
PDCA Diagram Templates by Visual Paradigm A PDCA cycle based on the scientific method of proposing a change in a process, implementing the change, measuring





About Priority Mail Open and Distribute

Present the container to a postal acceptance unit by the critical entry time for USPS shipment. You may use PMEOD or PMOD for all or part of your mailings. Commercial Plus tray boxes are only available



Top 10 PDCA Model Templates with Samples and

Discover the Top 10 PDCA Model templates to simplify continuous improvement. Implement the Plan-Do-Check-Act cycle with editable designs for

A FOCUS-PDCA quality improvement model for

This study aimed to investigate the effect of the application of the FOCUS-PDCA quality improvement model in terms of reducing the distribution



PDCA Templates

FREE Online PDCA templates and examples. Draw professional PDCA with online PDCA maker. Sign up to create a free online workspace and start today.



PDCA template

Use your PDSA template whenever you encounter unknown territory that is a chasm between you and your next Strategic Challenge. If you are not navigating



What is the PDCA Cycle + PDCA Templates

Optimize your PDCA cycle process by using visual tools like infographics, flowcharts and more to keep things rolling right along.

A FOCUS-PDCA quality improvement model for reducing the distribution

The FOCUS-PDCA quality improvement model was applied to analyze the causes of the distribution defects of sterile packages, develop improvement measures, and compare the



DMM Revision: New Open and Distribute Tray Boxes

To improve the security of the mail and control costs, the Postal Service introduces Open and Distribute tray boxes. These boxes are less expensive to produce and the enclosed mailpieces are more





USPS Priority Mail Open and Distribute -- Direct Mail, Fulfillment

Priority Mail Open and Distribute (PMOD) is great way to send out your mailer at first class speed at discounted postage rate!



PDCA Templates

Browse pdca templates and examples you can make with SmartDraw.

Free Pdca Cycle Templates For Google Sheets And

View our free and editable Pdca cycle templates for Excel or Google Sheets. These Pdca cycle spreadsheet templates are easy to modify and you can customize the



Free PDCA Templates for Continuous Improvement I

Simplify workflows, boost quality, and achieve continuous improvement with free PDCA templates. Perfect for managing processes efficiently.



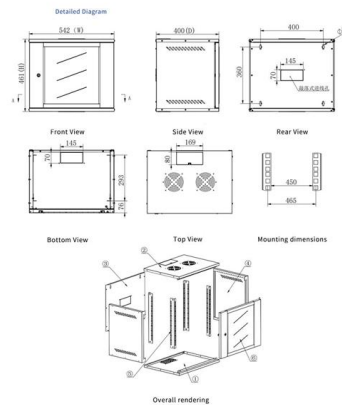
The PDCA Cycle: How to Master Continuous Improvement

The PDCA cycle is a powerful tool for organizations committed to continuous improvement. By following the structured approach of planning, executing, evaluating, and adjusting,



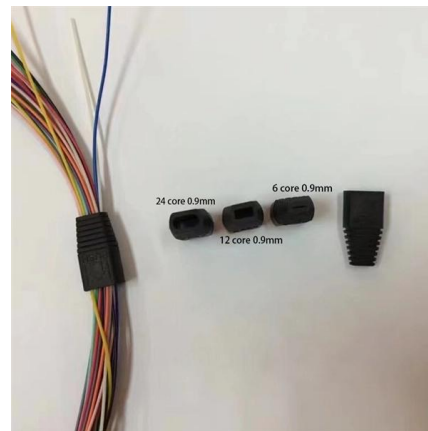
The PDCA cycle explained

Master project management with practical tips on PDCA cycle usage. Elevate efficiency and drive continuous improvement in your projects.



Warehouse & Distribution Labels , Superfast Labels

Superfast Labels offer warehouse & distribution labels to suit your requirements, including racking, shelf, pallet & box labels. Free quotes.



Complete Guide For Distribution Boxes Types

Distribution boxes, also known as electrical distribution boards or panels, are pivotal components in electrical systems, ensuring the safe and organized distribution of



PDCA Template - Continuous Improvement Toolkit

The template serves as a user-friendly tool to plan and monitor activities throughout each PDCA phase. It allows to list key activities, their respective owners, due



Pdca Cycle Illustration royalty-free images

Find 1,715 Pdca Cycle Illustration stock images in HD and millions of other royalty-free stock photos, 3D objects, illustrations and vectors in the Shutterstock

Top 10 PDCA Cycle Templates with Samples and

Use SlideTeam's actionable PDCA Cycle Templates to drive continuous improvement by facilitating a systematic approach to problem-solving and



Contact Us

For datasheets, pricing, or custom high-speed optical interconnect solutions, please visit:
<https://www.syropy.com.pl>