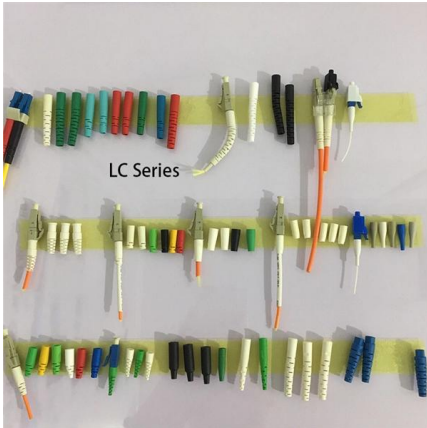


Distribution Box TB Wiring Terminal Diagram





Distribution Box TB Wiring Terminal Diagram



Terminal Box Wiring Diagram

A Terminal Box Wiring Diagram is a visual schematic, typically in the form of a rectangle divided into multiple cells, which depict the flow of electricity

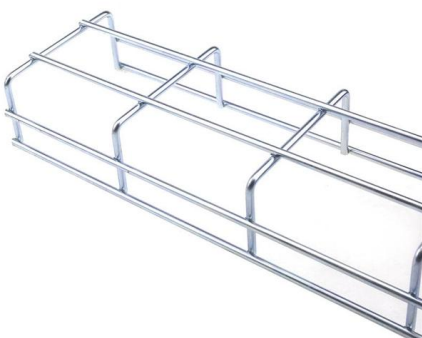
How to Wire a Home Distribution Box

How to Wire a Home Distribution Box - Step-by-Step , Distribution DB box wiring diagram
Welcome to our channel! In this video, we'll walk you through



Terminal blocks

Manual Terminal blocks As the next element, a terminal block should be created for each wire leading out of the distribution board. In the following example, a 5-core



on video How to Wire a Home Distribution Box

How to Wire a Home Distribution Box - Step-by-Step , Distribution DB box wiring diagram
Welcome to our channel! In this video, we'll walk you through the



Terminal Block

Refer to the Control4® Terminal Block wiring diagrams in this guide along with the Terminal Block Installation Guide (ctrl4 /blockinstall) to install the terminal blocks for these Panelized Lighting



Single Phase Distribution Box (DB) Wiring Diagram and

Hey, in this article we are going to see the Single Phase Distribution Box Wiring Diagram and Connection Procedure. A distribution board or



A Comprehensive Guide to Terminal Block Schematics:

It provides a detailed diagram that shows the arrangement and wiring of the terminal block to help understand its functionality and make troubleshooting easier.



Distribution Board Wiring Diagram For Single Phase Wiring

When we start a project of electrical wiring the first and main control point of wiring is the distribution board. Distribution board wiring is very important



How to Wire a Home Distribution Box

The above mentioned electrical wiring accessories and protective devices are used to control and distribute electric supply (safely to connected electrical appliances)

Terminal Block

Wiring diagrams Refer to the Control4® Terminal Block wiring diagrams in this guide along with the Terminal Block Installation Guide (ctrl4/blockinstall) to install the terminal blocks for these



Understanding Circuit Breaker Wiring Configurations in

Correct wiring methods for circuit breakers within distribution boxes are fundamental to ensuring electrical safety and compliance with established codes.



Power & Electrical distribution board (DB): Types and

Electrical Power Distribution board is used for controlling of utilization of power in the end point as lighting, power circuit and other equipment as TV, fridge and



What is a terminal block? , Significance and Types

An electric power distribution terminal block is a convenient, economical and safer way to distribute power from a single input source to multiple outputs. One large

Understanding the Terminal Block Schematic Symbol

Learn about the schematic symbol for a terminal block, commonly used in electrical schematics and circuit diagrams. Understand its key features and how to interpret it.



Simplified wiring diagram for a single phase breaker box

The wiring diagram for a single-phase breaker box shows how the electrical connections are made between the different components. It provides an



Terminal Block Wiring Guide: How to Connect or

Learn how to wire a terminal block, insert and remove wires, and connect screw or DIN rail terminals. Complete guide for professionals.

50KW modular power converter



- Flexible Configuration**
 - Modular Design, Expanding as Required
 - Small/Light, Wall Mounted
 - Installed in Parallel for Expansion
- Powerful Function**
 - Support PV/ESS
 - Grid Support, Equipped with SVG Technology
 - On-Grid and Off-Grid Operation
- Reliable Protection**
 - Outdoor IP65 Design
 - Multiple Protection Functions Equipped



OpenUtilities

Background The typical modular terminal block has two "wired" connection points, one for each side of the terminal block. These types of terminal blocks are usually

Wiring Diagram for 6 Terminal Junction Box

A terminal junction box is an essential component in electrical wiring systems. It is used to connect and distribute electrical wires, providing a safe and organized



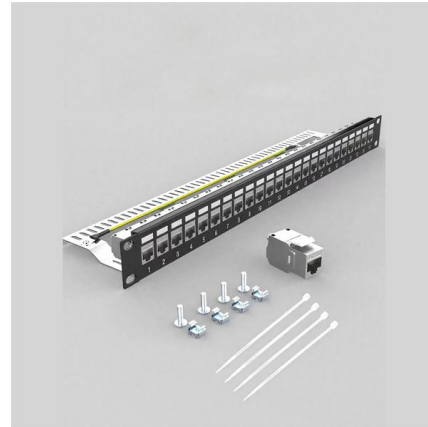
Wiring Diagram: Terminal Block Connections

Wiring diagram showing terminal block connections, panel tags, and group tags. Used in electrical engineering for installation and maintenance.



(EU) How to draw power distribution terminal blocks on

(EU) How to draw power distribution terminal blocks on a wiring diagram? I'm currently working on my first wiring diagram for a PLC cabinet (EU

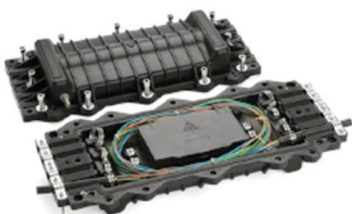


The Ultimate Guide to Terminal Junction Box Wiring:

Learn how to properly wire terminal junction boxes for electrical connections. Understand the importance of proper wiring techniques, safety precautions, and

How to Wire a Home Distribution Box

Welcome to our channel! In this video, we'll walk you through the process of wiring a home distribution box with a detailed connection diagram. Whether you're an electrician or a DIY enthusiast



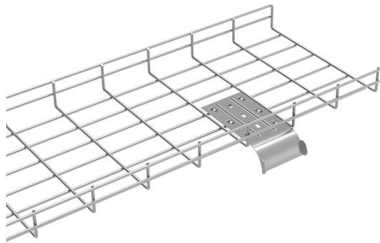
Pre-Installation

Each module type (8-Channel Dimmer, 8-Channel Relay, 8-Channel 0-10V Dimmer, 48V Bus Power Supply, or 8-Port Ethernet Switch) has a specific matching terminal block that provides the



How to Wire a Home Distribution Box

In this video, we'll walk you through the process of wiring a home distribution box with a detailed connection diagram.



Terminal Block Wiring Guide

Wiring Diagrams Refer to the Control4® Terminal Block wiring diagrams in this guide along with the Terminal Block Installation Guide to install the Terminal Blocks for these panelized lighting modules:

1 The Terminal Block Connection Diagram EVU

As every terminal diagram, the terminal block connection diagram EVU is created dynamically when it is opened. Thus the terminal diagram represents the current



A step-by-step guide to wiring your breaker box

Learn how to read and understand wiring diagrams for breaker boxes to ensure proper electrical configurations and safety measures.



Electrical Distribution Box Diagrams , PDF , Power

This document provides a list of components in an electrical distribution box with their names and associated wiring diagrams. It includes tables of diodes, fuses,



Contact Us

For datasheets, pricing, or custom high-speed optical interconnect solutions, please visit:

<https://www.syropy.com.pl>