

Distribution Box Protection Manufacturer Source





Distribution Box Protection Manufacturer Source

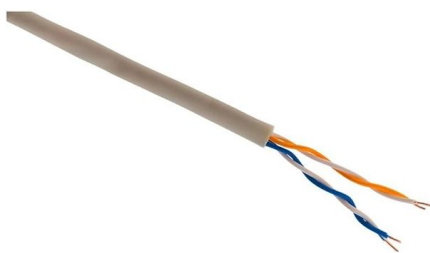


Fiber Distribution Box Manufacturer

Find trusted fiber distribution box manufacturers for FTTH networks. Get waterproof, customizable solutions with IP65 protection. Click to explore top suppliers and secure your network

Top Distribution Box Manufacturers: Global Solutions for Construction

This article explores the world's leading distribution box manufacturers, their unique offerings, and how they're shaping the future of construction--with a special focus on a standout



China Distribution Box, Distribution Box Wholesale, Manufacturers

China Distribution Box wholesale - Select 2026 high quality Distribution Box products in best price from certified Chinese Packaging Box manufacturers, Distribution Board suppliers, wholesalers and

DB BOX(Electrical Distribution Box): Everything You

Wiring: Next, the electrical cables will be connected to the incoming power source (like the main distribution panel) and the outgoing circuits. Circuit



Distribution boxes - For modular and decentralized solutions

Modern automation solutions are becoming increasingly decentralized. As a result, you need distribution systems that can be easily integrated into the common automation systems and are more efficient to



Efficient Power Distribution Boxes , Nijsha Enterprise

Nijsha Enterprise is a leading manufacturer of high-quality power distribution boxes. Our boxes are designed to provide reliable and efficient distribution of electrical



Distribution Protection Box, IP65 Transparent Cover

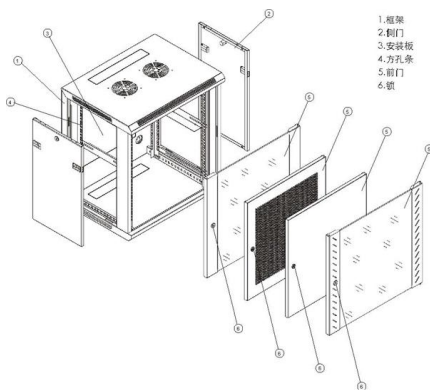
Distribution Protection Box, IP65 Transparent Cover Electrical Box, ABS Power Supply Electronic Junction Box for Circuit Breaker Indoor on The Wall 3 Way,





Distribution electrical enclosure, Distribution electrical

Find your distribution electrical enclosure easily amongst the 71 products from the leading brands (TAKACHI, Edit Elektronik, Safybox,) on DirectIndustry, the



Complete Range of Enclosures and Electrical Housing Delivered the

With over 50 years of experience, EuroBOX are one of the UK 's leading suppliers of electrical enclosure technology, offering the highest quality products available on the market.

Distribution boxes - For modular and decentralised

Distribution boxes FieldPower® for power transmission Branching, switching and protecting energy - The FieldPower® power bus product family provides you with



Best Distribution Box Manufacturer of December 2024

Best Distribution Box Manufacturer of 2024 Looking for in-demand distribution box manufacturers? We have collected the top Distribution Box companies in the

Distribution Box Solutions for Every Industry



Explore our diverse range of customized distribution boxes, widely used in different scenarios such as residential, commercial, and industrial.



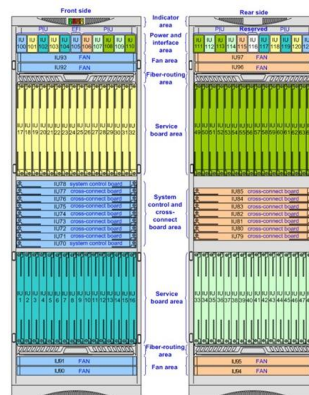
DISTRIBUTION BOX

Our distribution boxes boast impressive IP ratings, offering superior protection against dust, water, and other environmental hazards. Whether you need a



Top Distribution Box Supplier for Global Projects

Find certified distribution box suppliers with CE, RoHS, and UL compliance. Compare top manufacturers by customization, IP ratings, and export reach. Click to discover trusted global partners for your



China Distribution Box Manufacturers and Suppliers

IP65 Waterproof Distribution Box ICHYTI Manufacturers is committed to the research and development, design, manufacturing, and sales of IP65 waterproof





DISTRIBUTION BOX

VIOX: Leading manufacturer of premium distribution boards and electrical panels. Custom solutions for residential, commercial, and industrial applications. Offering



Power Distribution Boxes Manufacturer

Features of Power Distribution Boxes Our power distribution boxes feature advanced safety mechanisms, including circuit breakers, surge protection, and ground fault



Distribution enclosure, Distribution box

Used for strong current connection of high voltage distribution box, all-in-one controller, battery box and other equipment. JX59 single-core series adopt plastic housing, while JX59M single-core series



Waterproof Distribution Box Manufacturer , IP65/IP66

Our expert team has over 20 years of experience in designing and manufacturing weatherproof MCB enclosures, our knowledge enables us to continually seek out





Key Material Requirements for Distribution Box

Learn the key material requirements for distribution box, Discover how the right materials ensure long-lasting performance and safety.

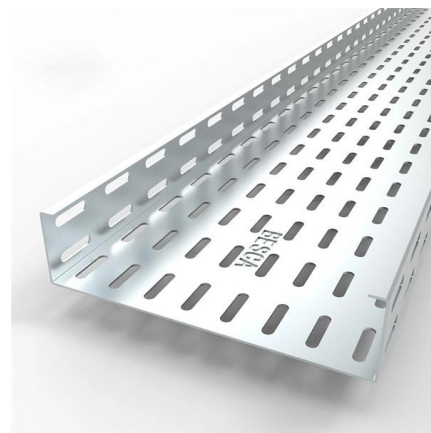


Enclosures and Distribution boxes , Sonderhoff

The lifelines of highly automated industrial production for electrical distribution and for the control and safety technology of manufacturing plants come together in

EWJ - Custom Electrical Enclosures & Waterproof Distribution Boxes

EWJ are a professional metal enclosure manufacturer providing electrical enclosures, aluminum enclosures, stainless steel junction boxes, and IP65 outdoor enclosure solutions.



Distribution Box Supplier & Manufacturer in China

Leading electrical distribution box manufacturer in China. Reliable power distribution boards for industrial and commercial systems with OEM support.





Contact Us

For datasheets, pricing, or custom high-speed optical interconnect solutions, please visit:

<https://www.syropy.com.pl>