

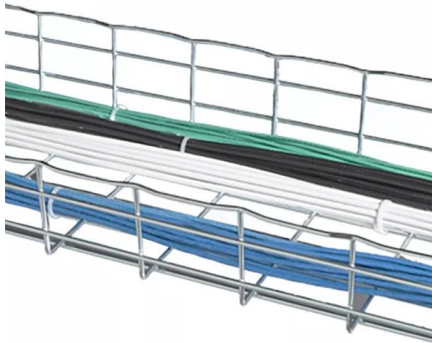
# **Direct Sales of Relay Protection Devices in North Africa**





## Direct Sales of Relay Protection Devices in North Africa

---

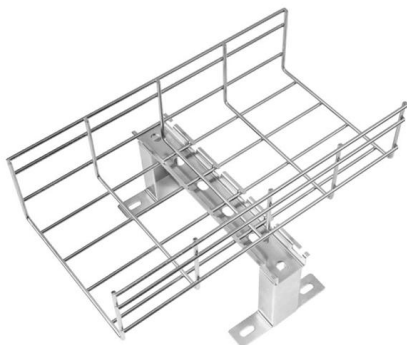


### Africa Protective Relay Market (2020-2026) - 6wresearch

As per 6Wresearch, Africa Protective Relay Market size is anticipated to register growth during 2020-26. South Africa is the leading revenue-generating country in the Africa protective relay

### The Role of Protection Relays in Power Systems and an

Protective relays are critical in power systems because they serve as decision-making devices that ensure the safe operation of power grid. They play a key role in power system protection.

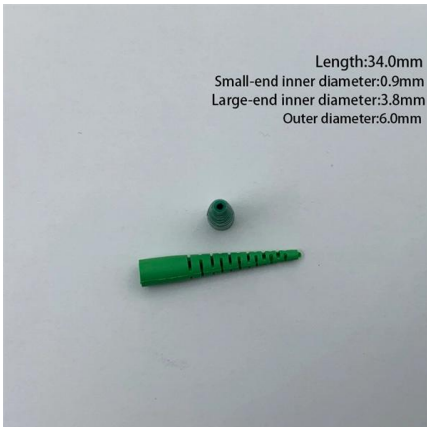


### North America Protective Relay Market

North America Protective Relays Market Report Scope Protective relay work as a sensing device, which senses the fault, then knows its position,

### Protective Relay Market Comprehensive Size & Revenue Analysis

The digital relays segment held the largest market share in 2024, accounting for 62% of the global protective relay market. The growth of this segment is driven by factors such as superior



### Protective Relay Market Size, Share, Trends , Growth, 2034

Every kilometer of new line and each new/expanded substation requires a feeder, transformer, busbar, line distance, differential, and protection control schemes, directly expanding the

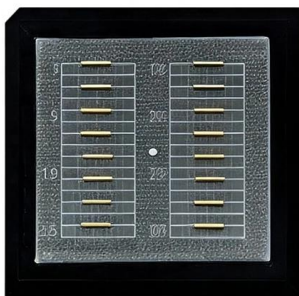
### Welcome to DIPRO

DIPRO is a supplier of substation protection and automation equipment to the utility, industrial and mining industries. DIPRO also offers consulting services to the Electricity Supply Industry.



### Africa Protective Relay Market , Size, Share & Volume 2031

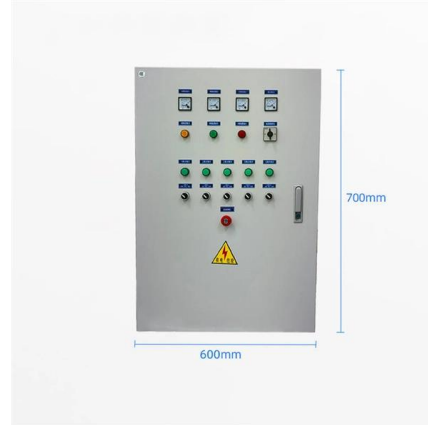
The rising number of industries in Africa, along with the growing need for reliable and efficient power transmission, is creating a significant demand for protective relays. The rising demand for electricity





## Protection Relays , Schneider Electric South Africa

Schneider Electric South Africa. offers a wide range of relays for protection and control, designed for motors, transformers, and various industrial applications.



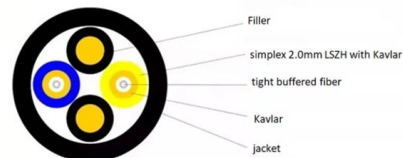
## State-of-the-art in the industrial implementation of protective relay

The paper summarizes the operating principles of relay applications, the available measurements used by relays and the protection schemes for various faults that occur frequently in



## Hotels, Accommodation & Cheap Hotel Deals , Book at Expedia site

Expedia's Hotel Search makes booking easy. Choose from thousands of hotel discounts & cheap hotel rooms. Pick the perfect hotel deal & save!



## Africa Protective Relay Market , Size, Share & Volume 2031

The Africa Protective Relay Market is set for growth due to rising industrialization and expanding power grid connectivity in the forecast period.





## Africa Protective Relay Market (2020-2026) , Report, Share & Forecast

Rising industrialization and expanding power grid connectivity in the region have propelled the demand for a protective relay market in Africa.

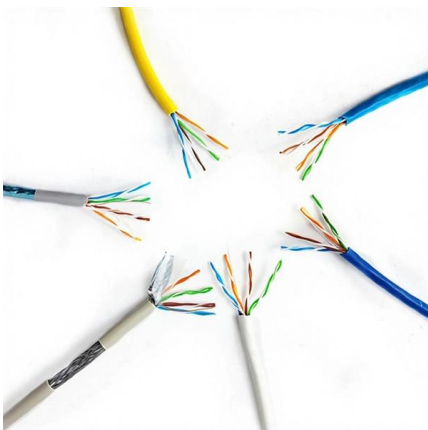


## Protective Relay Market Size, Share, Trends , Growth, 2034

Over the forecast period, the Latin America and the Middle East & Africa regions are anticipated to present tremendous opportunities for the protective relay market, as countries such as

## Protective Relay Market Size, Share & Industry Trends

Protective Relay Market Size & Share Analysis - Growth Trends and Forecast (2026 - 2031) The Protective Relay Market Report is Segmented by



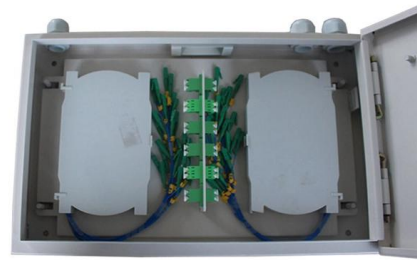
## Protective Relay Market Size, Share & Trends Report,

Protective Relay Market Summary The global protective relay market size was estimated at USD 3.22 billion in 2022 and is projected to reach USD 5.09 billion



## The Top 10 Relay Manufacturers List of 2026

Find the right partner with our relay manufacturers list. We compare the top 10 global players on quality, support, and supply chain to simplify your



Ordering information

NO.	1	2	3	4	5	6
Model	SP1201	SP1202	SP1203	SP1204	SP1205	SP1206
Product name	Relay Panel	Relay Panel	Relay Panel	Relay Panel	Relay Panel	Relay Panel
Illustration						
NO.	1	2	4	1	2	4
Maximum number of ports	144	288	576	144	288	576
Product size (including modules and adapters)	482.4(23.3114)	482.4(23.3118)	482.4(23.3117)	482.4(23.3114)	482.4(23.3118)	482.4(23.3117)
Standard color code	RAL9005	RAL9005	RAL9005	RAL9005	RAL9005	RAL9005

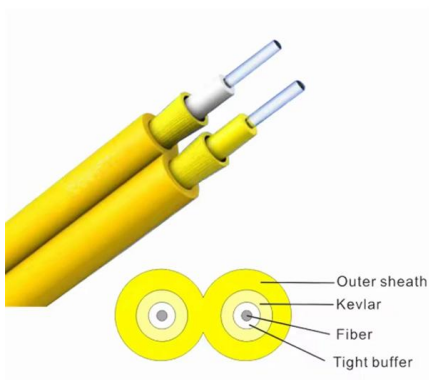
### Protective Relay Market Size, Share & Global Trends,

Protective relays contribute to the security of the power infrastructure by providing real-time monitoring, rapid fault detection, and coordinated responses to potential

### Protective Relay Market Size, Share & Global Trends,

Protective Relay Market Size Protective Relay Market was valued at over USD 2.5 billion in 2023 and is estimated to register a CAGR of over 5% between 2024 and

Motor protection controller



### Advanced Product Technology

Hier sollte eine Beschreibung angezeigt werden, diese Seite lässt dies jedoch nicht zu.



## Business Standard

Hier sollte eine Beschreibung angezeigt werden, diese Seite lässt dies jedoch nicht zu.



## Schneider Electric Global

Hier sollte eine Beschreibung angezeigt werden, diese Seite lässt dies jedoch nicht zu.

## Protective Relay Electronics Market Research Report 2033

Technological advancements are also shaping the trajectory of the Protective Relay Electronics market. The evolution from electromechanical relays to digital and numerical relays has revolutionized the



## Differential Protection Relay Manufacturer, Supplier and Exporter in Africa

A numerical differential protection relay presented in an educational format. It connects to Lss Africa Protection and Relay Test Set and other modules in the Power System range. It allows investigations



## Protective Relay Market Growth Analysis

The protective relay market size is forecast to increase by USD 811.6 million at a CAGR of 5.6% between 2024 and 2029. The market is experiencing significant growth, driven by the increasing



Ordering information

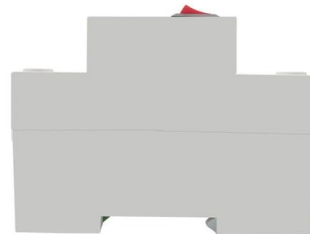
NO.	1	2	3	4
Model	RP801	RP802	RP1201	RP1202
Product name	Patch Panel	Patch Panel	Patch Panel	Patch Panel
Illustration				
MSL	1	2	3	4
Maximum number of cores	96	192	288	384
Product size (including packaging, modules and accessories)	482.0*206.7*43.3mm	482.0*206.7*86.3mm	482.0*206.7*133.3mm	482.0*206.7*177.0mm
Standard color code	RAL9005	RAL9005	RAL9005	RAL9005

## Top 10 Protective Relay Manufacturers: Market Share

Analyze the top 10 protective relay manufacturers. Get VMR's proprietary analyst insights on market share (18.4% lead), technical scalability,

## Societal and technology trend report

The crisis of traditional relay protection: A disruption of the technological paradigm Using the high short-circuit currents and system inertia provided by synchronous generators, traditional relay protection



## Types of Electrical Protection Relays or Protective Relays

? Key learnings: Protective Relay Definition: A protective relay is an automatic device that senses abnormal conditions in electrical circuits and



## Protective Relay Market Share, Size, Trends, Growth

Global Protective Relay market size earned around \$3.22 Bn in 2023 and is expected to reach \$5.13 Bn by 2032, with a projected CAGR of 5.3%.



## Africa Protection Relay Market (2025)

Africa Protection Relay Market is expected to grow during 2025-2031



## Contact Us

---

For datasheets, pricing, or custom high-speed optical interconnect solutions, please visit:  
<https://www.syropy.com.pl>