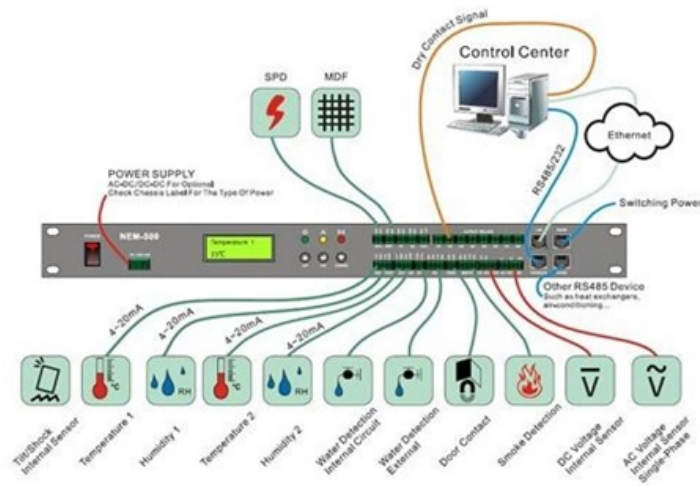


Direct Sales of Asian Cable Tray Seismic Bracing





Direct Sales of Asian Cable Tray Seismic Bracing

Seismic Bracing Systems, Seismic Support for Cable Tray

It is one of the largest professional manufacturers of PV mounting and tracking system in China and the Asia-Pacific region. As a global leader in the design and



Cable Tray Manufacturer for Industrial & Power Projects , XMQJ

We specialize in the R& D and manufacturing of advanced bus ducts, cable trays, and seismic bracing systems. Our commitment to innovation is proven by our "Molded Corrugated Bottom Cable Tray"



Vogtle Electric Generating Plant (VEGP) Units 3 and 4 Updated

Cable Trays and Cable Tray Supports This appendix provides the design criteria for seismic Category I cable trays and their supports. Seismic Category II cable trays and their supports are also designed



Cable Tray Seismic Bracing Strut Channel Seismic

Suzhou Hoogo Construction Auxiliary Co., Ltd. is a solution supplier that



Seismic Bracing Systems, Seismic Support for Cable Tray

Seismic Bracing Systems, Seismic Support for Cable Tray, Find Details and Price about Anti-Seismic Bracket Seismic Equipment from Seismic Bracing Systems,



Cable Tray Manufacturer, Cable Ladder, Wire Mesh Cable Tray

Company Introduction Trade Capacity Production Capacity Shanghai Pengzheng Electric Co., Ltd was established in 1996, specializing in conduit, cable tray, cable ladder, strut channel, embedded



Cable Tray Lateral Bracing (lateral) Seismic Bracket

Cable Tray Lateral Bracing (lateral) Seismic Bracket Strut Channel Aseismic Brace, Find Details and Price about Seismic Bracing Seismic Supports from Cable Tray





Seismic Bracing Systems for Cable Trays Catalog

Explore seismic bracing solutions for cable trays. Catalog details wire rope/cable systems, specs, design for earthquake protection.



Seismic Cable Bracing Solutions Guide

Ezystrut offers seismic bracing solutions for cable trays and pipes that comply with Australian standards. They provide two main types of seismic bracing: cable

Seismic Bracing Systems

Seismic bracing systems, are developed to prevent possible damages in the building installation, especially during natural disasters



Seismic Support Cable Tray

China Seismic Support Cable Tray catalog of New Product Easy to Install Seismic Bracing for Industrial Plant Construction, New Product Corrosion-Resistant C Channel for Support Frames provided by



Seismic Supports-Guangdong Tianlai Steel Conduit & Cable Tray Co.,

Guangdong Tianlai Steel Pipe Cable Tray Co., Ltd. has customized and developed a cable tray solution suitable for the main venue scene of the 2008 Beijing Olympics in response to the demands of



Seismic and cable tray solution flyer

Eaton's B-Line series cable tray with TOLCO seismic bracing is the recommended total solution for your project. Our cable tray, bolted framing, and seismic bracing are approved as one system through

Performance-based optimum seismic design of cable tray system

The seismic performance levels of cable tray systems are presented according to current seismic design codes. A performance-based optimum seismic design procedure for cable tray



Understanding the Seismic Resistance of Cable Trays

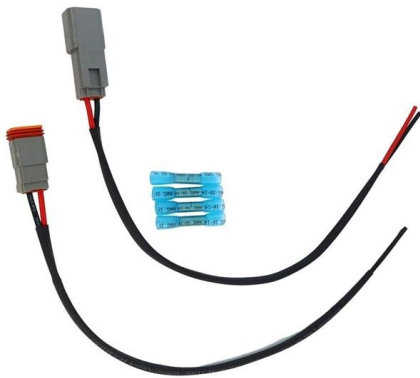
This article discusses the importance of seismic resistance for cable trays, detailing when seismic braces are necessary, the factors that affect seismic





Understanding Seismic Support for Electrical Installations

This necessity is particularly true for cable trays, which play a critical role in managing electrical wiring and equipment. Adhering to seismic support requirements is essential to enhance the reliability of



Seismic Bracing Ensures Stability and Safety of Cable

Seismic bracing can enhance the stability and safety of cable trays during earthquakes and other vibration events, ensuring your cable system is secure

Seismic analysis and design of electrical cable trays and support

Most cable trays in nuclear power plants are classified as seismic category I components. Current safety requirements dictate that all such components be adequately designed in order to



MPO-MPO Low Smoke Halogen Free Sheath
Multimode 10 Gigabit 24 pole OM3
Insertion loss <0.35dB Return loss >50dB



"Seismic Cable Support"

Our electronics supplier database is a comprehensive list of the key suppliers, manufacturers (factories), wholesalers, trading companies in the electronics industry. Import electrical products from our



Appendix 3F Cable Trays and Cable Tray Supports

This appendix provides the design criteria for seismic Category I cable trays and their supports. Seismic Category II cable trays and their supports are also designed utilizing the design criteria of this appendix.



seismic bracing of a distributed cable tray

Thus the R_p factor is not directly related to the ductility or overstrength of the seismic bracing system for the nonstructural component. The vertical bracing elements

Verification of Japanese seismic design guidelines for suspended

In this study, the dynamic behavior of a suspended cable tray system was investigated through testing with a large earthquake shaking table. Moreover, a reinforcement method is proposed to improve



Seismic Bracing Kit , Seismic Bracing , Wire and Cable Hangers , Wire

Kit contains items needed for seismic bracing long cable tray runs. Each kit contains: (4) 11' cables with mounting eyelets (2) Metal brackets for attachment to support members (4) Cable clamp collars (4)



Seismic fragility analysis of suspended cable trays in civil buildings

This study aims to understand the seismic fragility of typical suspended cable trays in civil buildings through full-scale shaking table tests and numerical simulation. Based on the shaking table

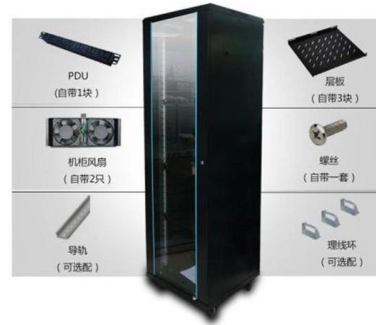


Cable Tray Two-Way Bracing (lateral + longitudinal)

Cable Tray Two-Way Bracing (lateral + longitudinal) Seismic Stabilizer Bracket Slotted Steel Strut Channel, Find Details and Price about Seismic Bracing



可选配件



Cable Tray Seismic Bracing Strut Channel Seismic

Suzhou Hoogo Construction Auxiliary Co., Ltd. is a solution supplier that integrates the R& D and manufacture of building products, the design of supports and



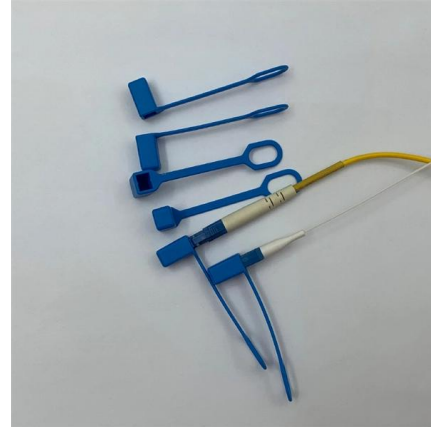
Supply Complete Set of Seismic Bracing Cable Tray

Supply Complete Set of Seismic Bracing Cable Tray Earthquake Resistance Pipe Hanger, Find Details and Price about Seismic Bracing System



Cable Tray Two-Way Bracing System Seismic Stabilizer

Cable Tray Two-Way Bracing System Seismic Stabilizer Bracket Strut Channel Support, Find Details and Price about Seismic Bracing Seismic Supports from



Contact Us

For datasheets, pricing, or custom high-speed optical interconnect solutions, please visit:

<https://www.syropy.com.pl>