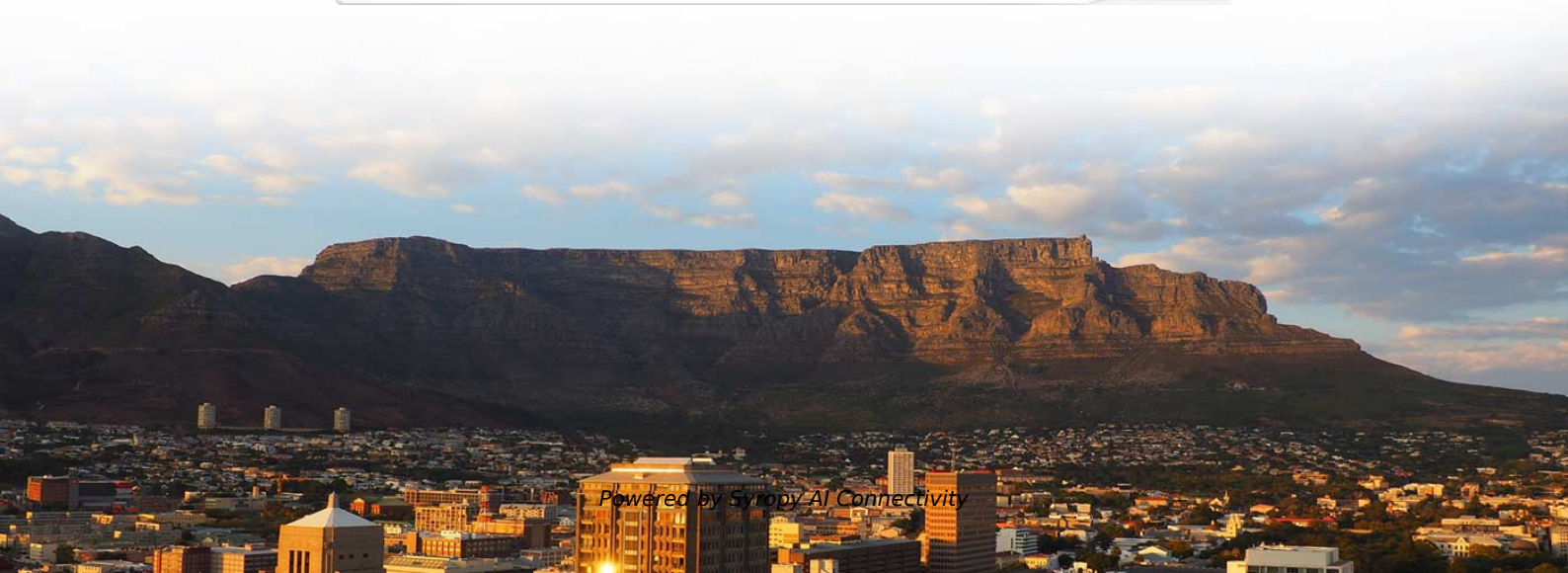


Direct Sales Price of Asian Fiber Optic Attenuators





Direct Sales Price of Asian Fiber Optic Attenuators



Fibre Optic Attenuators , element14 Malaysia

Buy Fibre Optic Attenuators. element14 Malaysia offers fast quotes, same day dispatch, fast delivery, wide inventory, datasheets & technical support.

Wiley Online Library , Scientific research articles, journals, books

Hier sollte eine Beschreibung angezeigt werden, diese Seite lässt dies jedoch nicht zu.



Fiber Optic Attenuators Market Report , Global Forecast From 2025

Regionally, the Asia Pacific is projected to be the fastest-growing market for fiber optic attenuators, driven by massive investments in telecommunications infrastructure and smart city projects in



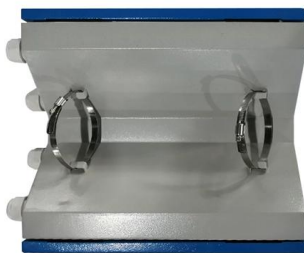
Attenuators

Attenuators Attenuators are used to weaken or control a transmitted optical signal and preserve the quality of that signal when the laser or VCSEL is too strong for the receiver to read correctly.



Asia Pacific Fiber Optic Attenuators Market: Key Insights on

Asia Pacific fiber optic attenuators market expected to grow at CAGR of 9.6% between 2024 and 2030. High-speed broadband infrastructure deployment in China, India, and Japan driving



Fiber optic attenuators for power reduction

Attenuators for your fibre optic link Attenuator modules are used to achieve a higher attenuation of a fiber-optical connection. This might become necessary under certain circumstances, i.e. on short



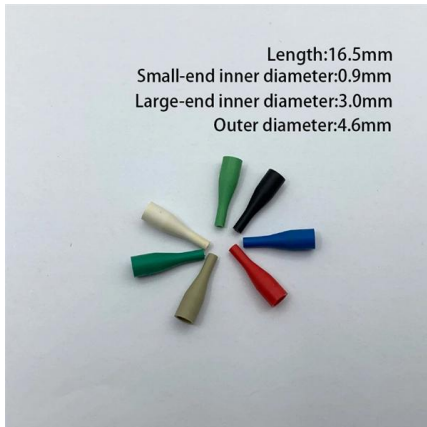
Fiber Optic Attenuator Market Size, Share Report and Trends 2035

North America remains the largest market for fiber optic attenuators, driven by robust telecommunications infrastructure. Asia-Pacific is emerging as the fastest-growing region, fueled by



2026 Southeast Asia Attenuators Export Strategy White Paper

Strategic insights for Southeast Asian attenuator manufacturers to capture high-growth opportunities in RF and optical markets driven by global 5G and fiber deployments.



Asia Pacific Fiber Optic Attenuators Market: Key Insights on

Asia Pacific Potential Factors for the Growth of Fiber Optic Attenuators Market Asia Pacific fiber optic attenuators market expected to grow at CAGR of 9.6% between 2024 and 2030.

Fiber Optic Attenuators

Fiber Optic Attenuator is used in fiber optic communications. Sinooptic offers FC, SC, ST, and LC Multimode Fixed Fiber Optic Attenuator with High power light source



Fiber Optic Attenuators Market Size, Market SWOT & Forecast 2033

This report offers past, present as well as future analysis and estimates for the Fiber Optic Attenuators Market. The market estimates that are provided in the report are calculated through an exhaustive



Fiber Optic Attenuators

Chapter 2: Detailed analysis of Fiber Optic Attenuators manufacturers competitive landscape, price, sales and revenue market share, latest development plan, merger, and acquisition information, etc.

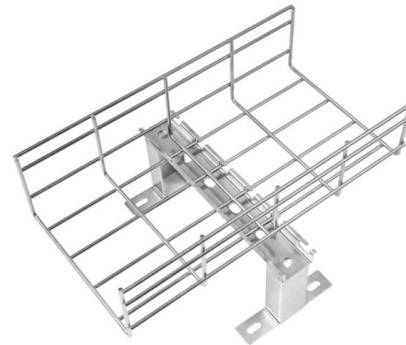


Asia Pacific Fiber Optic Component Attenuators Market

Pricing trends in the Asia Pacific fiber optic component attenuators market are increasingly influenced by automation trends and the integration of Industry 4.0

SC/UPC Fixed Fiber Optic Attenuator

SC/UPC Fixed Fiber Optic Attenuator from Sinocomms provides defined control of optical signals in both integrated and add-on products. Depending on the project or need, fixed fiber optic attenuators can



Fiber Optic Attenuators , Optoelectronics , DigiKey

Shop DigiKey's large in-stock selection of Fiber Optic Attenuators. View inventory, pricing and order now for same day shipping!



Fiber Optic Attenuators: Harnessing Emerging Innovations for Growth

Technological advancements, such as improved optical fiber designs and more efficient manufacturing processes, are reducing the cost of fiber optic attenuators.



Optical Attenuator - Optcore

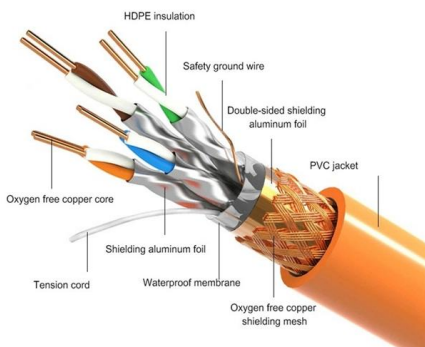
Optcore offers various fixed and variable optical attenuators (VOAs), with various LC, SC, ST, FC, E2000, and MPO connectors. Most importantly, we tested all the fiber optic attenuators in the factory

Fixed Fiber Optic Attenuator

Chapter 2: Detailed analysis of Fixed Fiber Optic Attenuator manufacturers competitive landscape, price, sales and revenue market share, latest development plan, merger, and acquisition information, etc.



PRODUCT DETAILS



The Ultimate Guide to Fibre Optic Attenuators

Introduction The signal power in fibre optic links is sometimes needed to be strengthened to achieve long-haul data transmission. While under certain circumstances, too much signal power can overload



LC/UPC Fixed Fiber Optic Attenuator

LC/UPC Fixed Fiber Optic Attenuator from Sinocomms provides defined control of optical signals in both integrated and add-on products. Depending on the project or need, fixed fiber optic attenuators can



Global Fixed Fiber Optic Attenuator Sales Market Report, Competitive

With advancements in technology, the market has also witnessed the development of various types of fixed attenuators, including inline, bulkhead, and plug-style attenuators, to cater to diverse

2026 Southeast Asia Attenuators Export Strategy White Paper

Alibaba trade data reveals that the attenuator category is in its growth phase, with seller numbers increasing by 256.87% year-over-year, indicating strong market confidence and expanding supply



Fiber Optic Attenuator, Fixed Fiber Optic Attenuator

Fiber Optic Attenuators are used in the fiber optic communications to reduce the optical fiber power at a certain value, the most commonly used type is female to



Fiber Optic Attenuators Sales Market Size, Trends & Forecast 2025

Direct sales involve manufacturers or authorized distributors selling fiber optic attenuators directly to end-users. This approach facilitates personalized customer service and support, allowing buyers to



Fiber Optic Attenuator, Fixed Fiber Optic Attenuator

LC/APC Fiber Optic Attenuator from SINO OPTIC provides defined control of optical signals in both integrated and add-on products. Depending on the project or



Fiber Optic Attenuators LC-SC-FC 1~30dB Price

What Is Fixed Fiber Optic Attenuators? Fiber optical attenuator, or fiber optic attenuator, is a device used to reduce the power level of an optical signal, either



Optical Fiber Attenuator

Find here Optical Fiber Attenuator, Fiber Optic Attenuators manufacturers, suppliers & exporters in India. Get contact details & address of companies manufacturing



Asia Pacific Fiber Optics Market Size , Industry Report,

Asia Pacific Fiber Optics Market Trends The Asia Pacific fiber optics market size was estimated at USD 3.04 billion in 2024 and is projected to grow at a CAGR of 8.8%



Contact Us

For datasheets, pricing, or custom high-speed optical interconnect solutions, please visit:

<https://www.syropy.com.pl>