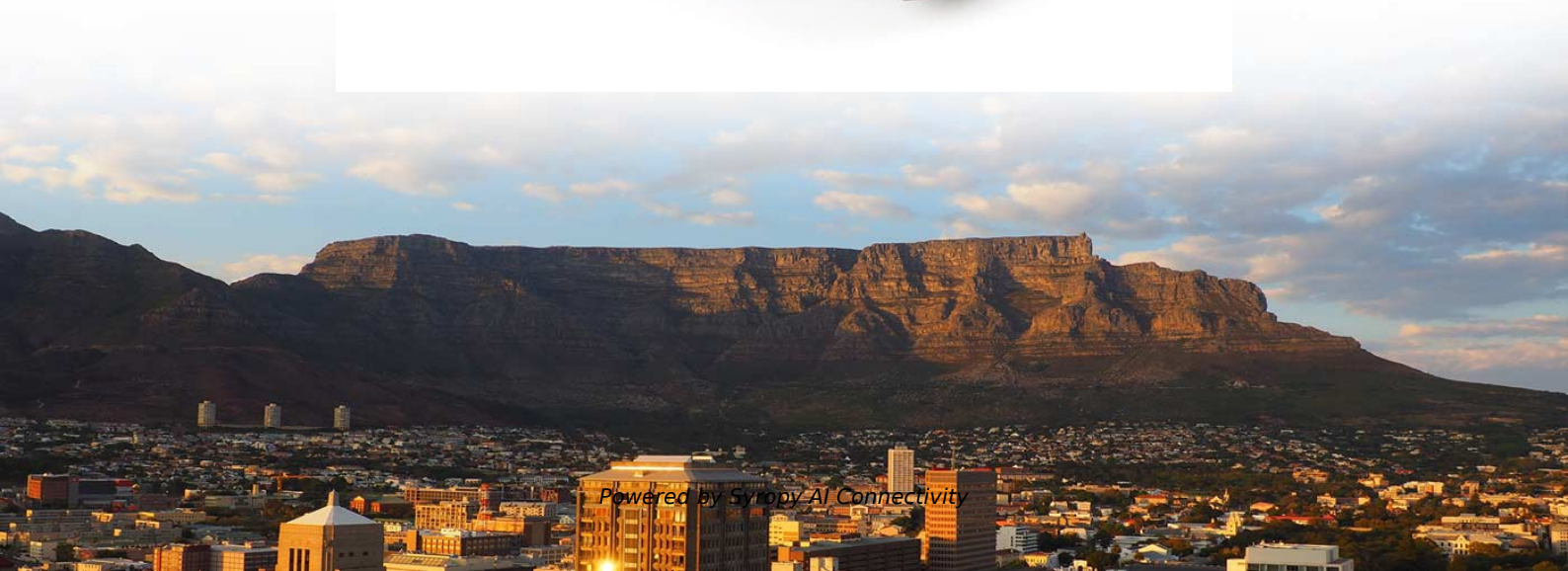


Development of Distribution Network Automation Technology





Distribution Automation Strategies: Evolution of

With the spotlight on smart grid development around the world, it is critical to recognize the key factors contributing to changing power-system

Overview of Distribution Network Automation

In order to provide reference for improving the reliability of distribution network and to speed up the development of distribution network automation, this paper



Support

This Distribution Automation (DA) architecture is a fundamental part of any Cisco network, providing enhanced, end-to-end security from the control center all the way to the edge of



Distribution Automation

Distribution Automation Distribution automation (DA) is a family of technologies, including sensors, processors, information and communication networks, and

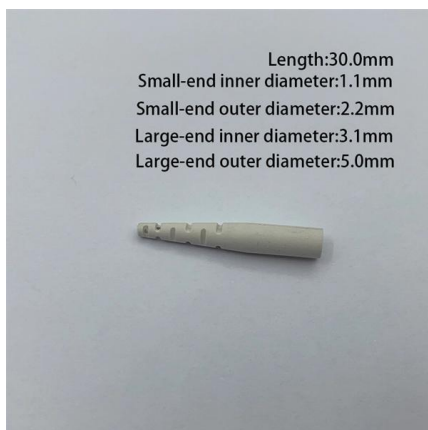


Research Situation and Development Trends of Distribution Automation

This article has summarized the developing history of distribution automation technology and analyzed existing problems that hinder its practical application. Currently the automation level of

IEEE TRANSACTIONS ON SMART GRID 1 Distribution Automation

Source and load control at the distribution level is a key requirement of the evolving system. These activities require distribution automation (DA) strategies that take advantage of available



Distribution Network Automation Technology based on Low-voltage

With the continuous progress of social economy, the shortage of electric power is becoming increasingly severe. At this time, the development of smart grids is extremely important. At present, permanent



Development of Intelligent Operation and Maintenance and

Abstract. Distribution network automation equipment has been widely installed and used in the power grid, which plays a very important role in improving the reliability and quality of power supply.



Research on intelligent distribution network automation design

This paper summarizes the development of distribution network automation in China, and analyses the shortcomings of traditional distribution automation with the background of intelligent grid.

Microsoft Word

This White Paper, "Smart Grid for Distribution Systems" addresses the benefits and challenges of implementing the many different Distribution Automation functions.



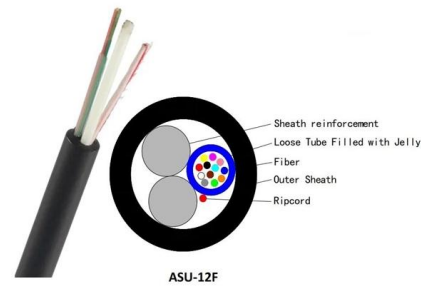
Research and Application of Distribution Automation System

This paper centers on the mountainous distribution network automation strategy based on self-healing technology, analyzes the main components and functions of the distribution automation



Modern Trends in Distribution Automation

Hyderabad, Andhra Pradesh, India
ABSTRACT
Distribution automation (DA) has historically been focused exclusively on improving reliability, but has now emerged as a key for reducing energy loss and



Research on Development Direction and Key Technology of Modern

With the continuous deepening of the construction of new energy system, renewable sources and novel loads, such as distributed power supply, electric vehicles and controllable user-side resources, have

Research and Application of Intelligent Sensor in Distribution Network

This paper discusses the application of intelligent sensors in distribution network feeder automation, introduces the types of various intelligent sensors in detail, sorts out their technical



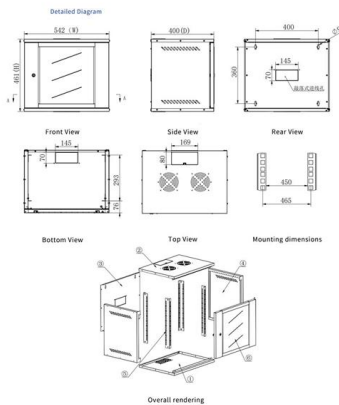
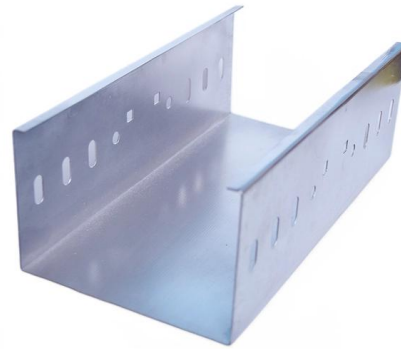
A Distribution Network Automation Communication Module Based

With the continuous development of power system, distribution automation technology plays an important role in improving power supply reliability and reducing operating costs. In order to

Distribution Automation



With more than ten years of exploration and practice, distribution network automation has been further understood, and the related technology has also become riper for application.



Distribution System Automation

Presently, worldwide research and development efforts are focused in the areas of communication technologies revolution and application of IEC 61850 protocol in the distribution automation to make

Control and Automation Systems for Distribution Networks

A survey reported in (CIGRE 2017) identified the present levels of automation implemented at the DSO level; the necessary developments for better TSO and DSO integration,



Research and Application of Intelligent Sensor in Distribution Network

In response to the complex distribution network architecture and diversified user needs, traditional technology has exposed many limitations, and intelligent sensors provide new





Research on Distribution Network Feeder Automation Technology

Therefore, the research and analysis of distribution network feeder automation technology must be carried out to improve the application level of distribution network feeder automation technology, so



Distribution Automation Strategies: Evolution of Technologies and the

With the spotlight on smart grid development around the world, it is critical to recognize the key factors contributing to changing power-system characteristics. This is more apparent in

Contact Us

For datasheets, pricing, or custom high-speed optical interconnect solutions, please visit:
<https://www.syropy.com.pl>