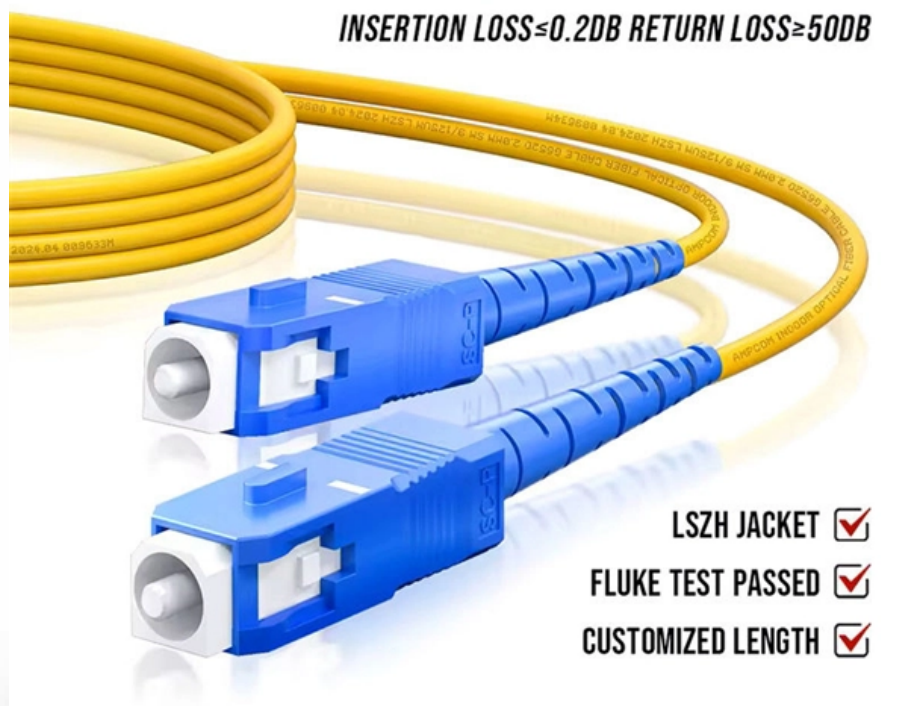




Syropy AI Connectivity

Detailed Configuration Requirements for Main Distribution Box





Overview

What Is a Distribution Box?

A distribution box, also known as a power distribution unit, is a critical component in any electrical system.



Detailed Configuration Requirements for Main Distribution Box



The Ultimate Guide to Distribution Box Types

Discover the key types of distribution boxes with NUOMAK's comprehensive guide. Learn about Main Distribution Boards (MDB), Consumer Units, Transfer

The Complete Guide to Distribution Box: Installation, Types & More

A distribution box, also known as a distribution board, electrical panel, or breaker box, is an enclosure that houses electrical components responsible for distributing electricity throughout a



Distribution Box Guide: Types, Components & Solutions

Understand distribution boxes (DB boxes) in 5 minutes. Learn about types, components, functions, and uses. Find the perfect DB box for your needs.

Distribution Box: Types and Functions , Axis-Electricals

A distribution box ensures that electrical supply is distributed in the building, also known as a distribution board, panel board, breaker panel, or electric panel.



Distribution Boards

Distribution boards, often referred to as electrical panels or breaker boxes, serve as the nerve center of any electrical system. Here we explore the crucial parts of a distribution board and gain insights into



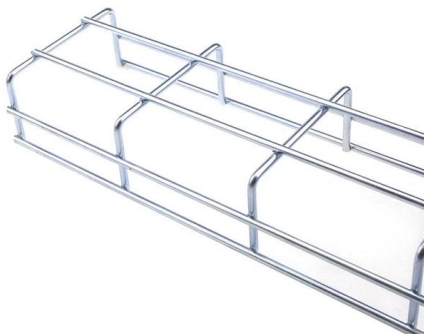
Single Phase Distribution Box Definition and Main Parts

A single phase distribution box controls and protects home or office circuits. Learn its definition, main parts, and how it ensures electrical safety.



What Is an Electrical Distribution Box? A Complete Guide

An electrical distribution box routes power, prevents overloads, and keeps wiring organised--essential for safe, efficient home and



Distribution Box and Selection Guide



This guide provides information on how to select the appropriate Distribution Box for Electric project. If you have any questions about distribution



Distribution Boxes: Types and Functions

Learn what an electrical distribution box (DB/distribution board) is, its main components (MCB/RCCB/RCBO, SPD, busbar) and common types.

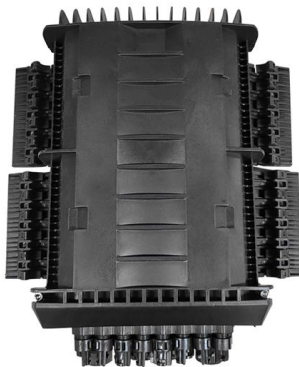
Distribution Box and Selection Guide

The nature of your property plays a crucial role in determining the appropriate Distribution Box. Different settings have distinct electrical



How to Install a Cable Distribution Box Safely and

This article provides a detailed overview of the entire process of installing a distribution box, from pre-installation preparation to post-installation



Manufacturing Requirements for Electrical



Distribution Box & Switch

The MDB shall also be equipped with: a Voltmeter, an Ammeter, a kWh Meter (Energy Meter), and other required instruments. Installation of dedicated energy metering shall comply with



How to Install a Distribution Box--A Comprehensive

Before starting the installation, finding a proper place for putting the distribution box is crucial, because it largely decides the safety and convenience

Step-by-Step Guide to Install MCB Distribution Box

Learn how to safely install an MCB distribution box with this comprehensive guide. Step-by-step instructions to ensure correct installation.



Size determination, installation method and wiring mode

The distribution box is the central hub of the home circuit and the general control of our daily power consumption. It is an indispensable electrical equipment. If there



Distribution Box Installation: A Complete Guide to Safe

The distribution box, often referred to as a breaker box, fuse box, or electrical panel, is a critical component of any electrical system. It acts as the central hub for

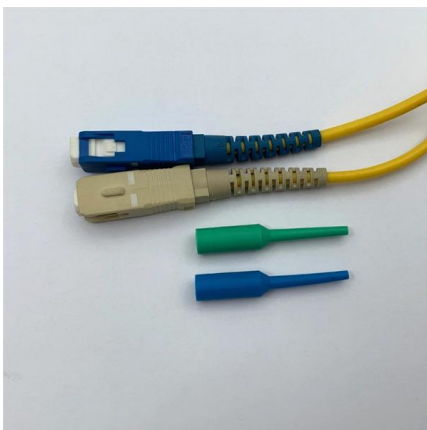


A Definitive Guide To Distribution Boxes

Power distribution boxes are beneficial because they eliminate the requirement for each output device to be connected directly to the power source. As a result, there's no reason to utilize

How to Install a Cable Distribution Box Safely and

Site Inspection and Planning Conduct a detailed survey of the installation site to determine the installation location of the cable distribution box.



Safety requirements of distribution box

The distribution box has the characteristics of small size, simple installation, special technical performance, fixed location, unique configuration function, not limited by



Distribution Boxes Types - The Complete Guide

The power distribution boxes deliver electricity from the main electrical main to other circuits. Several distribution boxes are designed for specific use in



How to Install a Distribution Box--A Comprehensive

Whether you are an electrical contractor or a construction brigade, knowing how to properly and safely install distribution boxes is the basis of

Requirements And Specifications For Installation Of

The installation requirements and specifications of Distribution box involve many aspects, including site selection, fixing method, wiring specifications



Electrical Distribution Box Design Guide

The document provides details for designing the electrical distribution box and circuits for a residence. It includes specifications for the main circuit breaker such



Contact Us

For datasheets, pricing, or custom high-speed optical interconnect solutions,
please visit:

<https://www.syropy.com.pl>