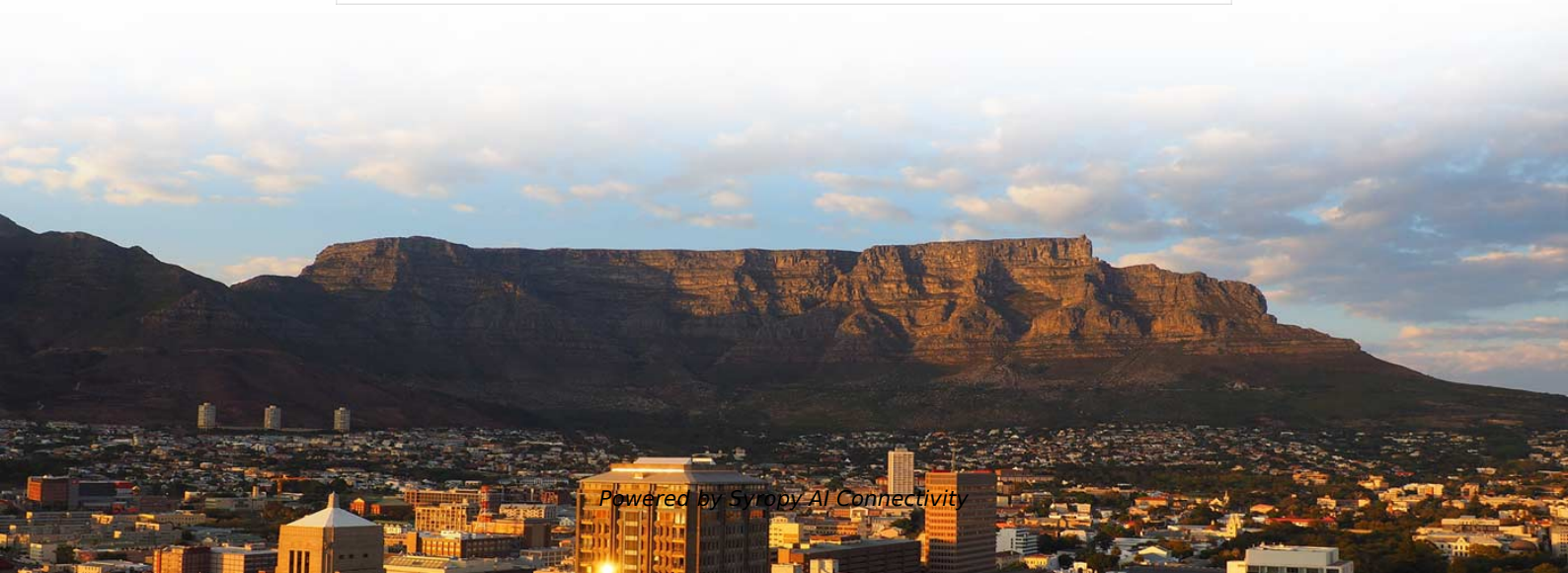


Denmark Fiber Optic Terminal Box 2-core





Overview

Indoor Fiber Termination Box 2 Core For FTTH, FTTO and FTTD This 2-core optical termination box features a sliding cover design, providing high protection for fiber connection joints to minimize the risk of damage. Terminal Box 1WE Fiber tray capacity: 24F Terminal Box 2-3WE Fiber tray capacity: 48F Terminal Box 4-23WE Fiber tray capacity: 192F DW-2. 3654 2 core fiber optic terminal box products are offered for sale by suppliers on Alibaba. Of Adapters & Splitters The telecommunication network, metropolitan area network, optical fiber communication system. It fully supports mechanical/fusion splicing, termination, and cable mangement within a single, compact indoor unit.



Denmark Fiber Optic Terminal Box 2-core



2 Core Fiber Optic Terminal Box

Find High Quality 2 Core Fiber Optic Terminal Box Manufacturer 2 Core Fiber Optic Terminal Box Suppliers and 2 Core Fiber Optic Terminal Box Products at the Best Price on Alibaba

12-Core Rack-Mountable Slide-Out (Drawer-Type) Fiber Optic

Physical Factory: 24-Core Rail-less Slide-out (Drawer-type) Fiber Optic Terminal Box (Fiber Distribution Box). Supports SC, FC, LC, and ST interfaces; available as an empty enclosure or fully configured;



2 CORE FIBER OPTIC TERMINATION BOX

This fiber optic termination box is used for splicing and termination between indoor fiber optic cable and pigtails. The termination box is used for wall mounted or

4 Core Fiber Optic Termination Box FTB

Product Description ABS Slide In Lock Fiber Optic Termination Box FTB, 4 Core Terminal Box
Description Plastic ABS material socket panel FTB86D is a



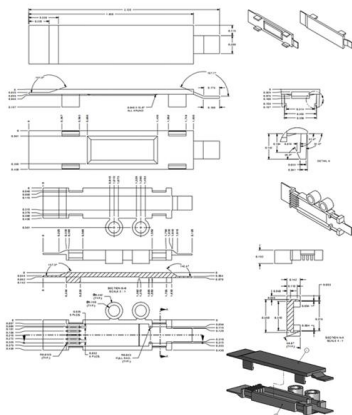
Outdoor Indoor Fiber Optic Junction Box 6 Core Waterproof FTTH Terminal

MAIN PURPOSE: 6 core fiber distribution box, widely used in FTTH engineering, convenient for construction, providing good protective operation. LAYERED DESIGN: The upper part is used for



Fiber Optic Junction Box 6 Core Waterproof FTTH Distribution Box

Description & Details Summary MAIN PURPOSE: 6 core fiber distribution box, widely used in FTTH engineering, convenient for construction, providing good protective operation. LAYERED DESIGN:



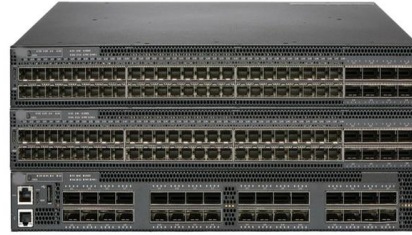
Fiber Terminal Box

GAO Tek's fiber terminal boxes are devices used in fiber optic networks to terminate and manage fiber optic cables. Our boxes serve as a connection point for incoming and outgoing cables, providing



Amazon : Fiber Distribution Box

8 Core Fiber Distribution Box, FTTH Fiber Distribution Box -8 Port ABS Plastic Fiber Optic Terminal Junction Splitter Box for Indoor/Outdoor Add to cart



24 Port Outdoor Fiber Optic Distribution Box , AZE

AZE's Outdoor Fiber Optic Distribution Box is applicable in FTTH project and suitable for building's outer walls application; They can distribute cables after installing

4 Port SC Fiber Termination Box, 4 Cores Splice

This 100*83*30mm 4 port ftth termination box is sc/lc fiber wall outlet that provides fiber connectivity to your enterprise and home, ideal for wall mount and desktop



12 core FC12 Type Fiber Terminal Box As distribution box

The Fiber Optic Terminal Box is a kind of optical fiber management products used to distribute and protect the optical fiber links in FTTH Network. It is available for the distribution and terminal



Indoor FTTH Fiber Optic Termination box With 2 SC

The fiber wall outlet is widely used in residential areas, business buildings, and villas, facilitating the connection of 2 fibers to the passive optical network. The fttth



Fiber Distribution Box & Terminal Box , Top-Quality

Fiber Distribution Box & Terminal Box manufacturer. Fiber Distribution Box are used in cross-connection (indoor and outdoor devices). They are available in

2 core terminal box

*Designed with a large arc shape to ensure that the fiber optic cable placed in it will not be damaged when subjected to external forces, affecting the quality of communication;



Fiber ODN 2 Core Indoor Termination Box Fiber

Our 2 core indoor fiber termination box showcases an innovative design focused



Industrial Fiber Optic Distribution Boxes , 1-24 Cores

OTRANS is a leading fiber optic distribution box manufacturer. We offer a wide range of 1-24 core FDB boxes and ODF cabinets for indoor/outdoor FTTX deployment.



48 Port Fiber Optic Terminal Box, Fiber Optic Patch Panel, SC, FC,

Fibre optic connection box for organising and managing fibre optic Equipped with 48 ports for efficient connectivity and easy installation Compatible with SC, FC and LC pigtailed for versatile fiber

Fiber Terminals (hardened)

Explore CommScope's versatile hardened Fiber Access Terminals--designed for quick installation, long-life service, and true network flexibility. Discover Prodigy® fiber optic connectors, innovative fiber



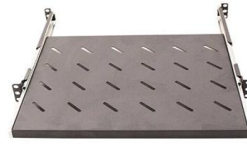
Indoor FTTH Fiber Optic Termination box With 2 SC

The surface mount fiber termination enclosure features dual ports compatible with



24-CORE FIBER OPTIC TERMINAL BOX - Artic

FO SPLICE CLOSURE - 48//192 FO CORES - OVAL
DOME MECHANICAL



Webit Cabling

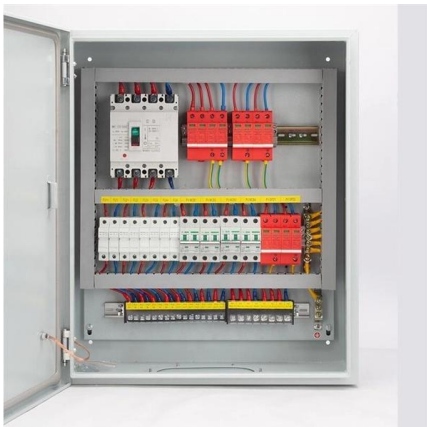


Splice Boxes - Fiberpowertech

Splice Boxes Fiber Optical Terminal Boxes For detailed specification and sizes list please download .pdf

FTTH Distribution Terminal Box, FTTH Fiber Optic

Fiber Optic Termination Box is used in the end termination of drop cables in residential buildings and villas, to fix and splice with pigtails. UnitekFiber supplies



Fiber Optic Cable, Clamps, Boxes, for FTTH

JERA LINE-China Factory produce high-quality fiber optic cables, fiber cable clamps, and fiber optic boxes for outdoor & Indoor FTTH. ISO 9001 certified.



GELRHONR FTTH Fiber Panel Box Enclosure,2 Core

The FTTH fiber panel box provides superior protection as the main function of the panel is to fix the module, protect the cable at the information outlet, and play a



Access Terminal Box-2-core-D

The Access Terminal Box is easy to install and maintain, with a simple and intuitive design. With FTTH Fiber Socket, users can enjoy faster



24 core SC24 Type Fiber Terminal Box As distribution box

The Fiber Optic Terminal Box is a kind of optical fiber management products used to distribute and protect the optical fiber links in FTTH Network. It is available for the distribution and terminal

Wall Mount Cabinet Server Racks



Contact Us

For datasheets, pricing, or custom high-speed optical interconnect solutions, please visit:

<https://www.syropy.com.pl>