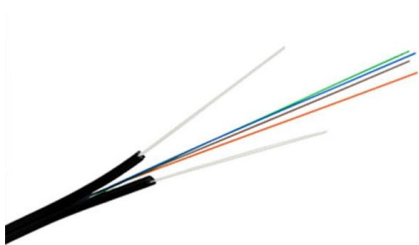


Dedicated heat dissipation equipment for distribution boxes





Dedicated heat dissipation equipment for distribution boxes



Heat Dissipation Calculation for Electrical Equipment

Learn how to calculate heat dissipation for electrical enclosures. Step-by-step formula, key factors, and cooling solutions to prevent overheating and

Decentralized Building Automation Distribution Boxes

Distribution boxes for building automation. Pluggable system solutions for energy-efficient smart buildings with flexible and fast electrical installation.



How to Calculate Heat Dissipation in Electrical Enclosures

Heat dissipation guide calculating temperature rise in an electrical enclosure given input power. This guide is provided by Elliott Electric Supply, distributor of



Electrical Distribution Box Solution , J& HW Group

The distribution box is designed with adequate ventilation to promote efficient heat dissipation. This ventilation helps prevent overheating



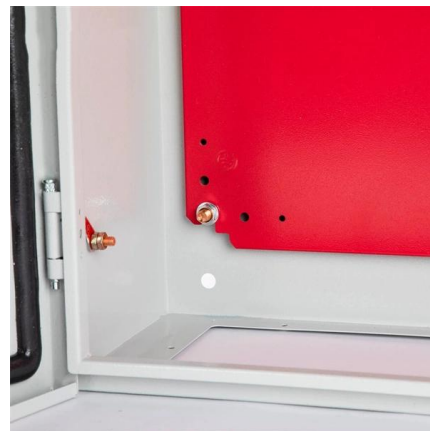
Natudeco Electronic Project Box Heat Dissipation PCB

About this item MULTI PURPOSE: Electronic project box is applicable to decoder, controller, electronic products, heat dissipation aluminum case, printed circuit



Power distribution box manufacturer: how does the power distribution

Next, the manufacturer of the distribution box will introduce the heat dissipation technology of the distribution box One is that we use heat pipes to dissipate heat. The heat pipe is a



Efficient Heat Dissipation Anti-Magnetic Electric Enclosure

We specialize in distribution boxes, distribution cabinets, and custom non-standard sheet metal products, integrating sheet metal manufacturing with complete electrical systems.





What Is an Electrical Distribution Box? A Complete Guide

An electrical distribution box routes power, prevents overloads, and keeps wiring organised--essential for safe, efficient home and



Study on Heat Dissipation and Cooling Optimization of the Junction Box

Hence, appropriate heat management of the electronic apparatus has a significant influence on the useful life of this equipment. Specific validation and study of the behavior of the

How Enclosure Design Impacts Heat Dissipation

Learn how enclosure design, materials, and thermal strategies impact heat dissipation, prevent equipment failure, and improve reliability in industrial



Distribution box : Spare parts

Quiri, heat transfer specialist, designs and manufactures Distribution box meeting the highest requirements of your industry.



Design Options for HVAC Distribution Systems

Distribution components convey a heating or cooling medium from source-located service generators to portions of a building that require conditioning. Delivery components serve as an interface between



Heat dissipation method of distribution box

Adopt natural ventilation shell, principle: the structure of convection between the air outside the shell and the air inside the equipment cabin of the cabinet, and the way of heat exchange



Distribution box cooling method

As a device for distributing electric energy, the distribution box usually generates a certain amount of heat, which needs to be dissipated to ensure its normal operation and prolong its service life. The



The Truth About Heat Dissipation In Industrial Power Distribution

Many experienced technicians know that heat in a distribution cabinet has a cumulative effect. If the temperature rise of the power distribution terminal strip equipment can be controlled

The Truth About Heat Dissipation In



Industrial Power Distribution

If the temperature rise of the power distribution terminal strip equipment can be controlled within a reasonable range, surrounding circuit breakers and relays will not frequently malfunction due



How does the distribution box dissipate heat?

What are the heat dissipation skills of the distribution box? How does it work? The following power distribution box manufacturers to introduce you about the power

Air Distribution , Greenheck

Air distribution products--grilles, register, diffusers (GRD), and air terminal units (ATU) offer functional and aesthetic value to HVAC systems. ATU's (VAV boxes)



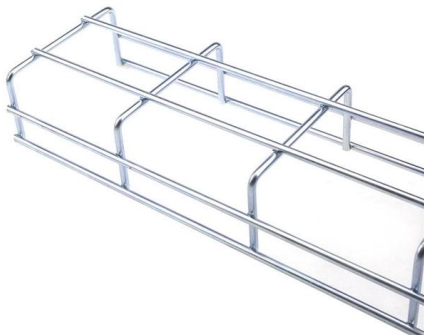
Heat Dissipation Newest Enclosures, Boxes, & Cases - Mouser

Heat Dissipation Enclosures, Boxes, & Cases are available at Mouser Electronics. Mouser offers inventory, pricing, & datasheets for Heat Dissipation Enclosures, Boxes, & Cases.



What are the common accessories of the distribution box and how

The heat exchanger composed of heat pipes has the advantages of high heat transfer efficiency, compact structure and small fluid resistance loss. The other is to dissipate heat through the

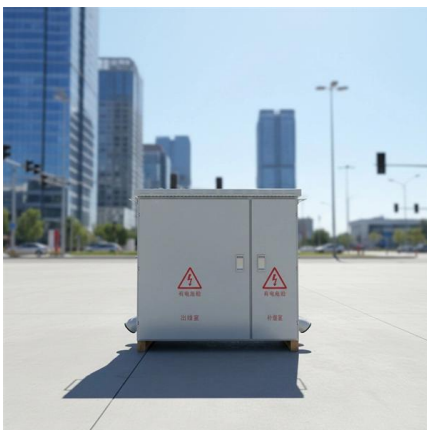


Heat Dissipation Calculation For Electrical Equipment Excel

Efficient heat dissipation is essential for the reliable operation and longevity of electrical equipment. Whether it's transformers, motors, or power electronics, understanding and accurately

Temperature rise test of distribution boxes: evaluate the heat

Imagine having thermal images of your distribution box taken from multiple angles, then having a computer reassemble them into a detailed 3D heat map. This non-intrusive technique creates a



How Stack Pressure Influences Heat Dissipation Efficiency

Optimizing thermal interface performance through stack pressure analysis - discover quantitative relationships for enhanced heat dissipation efficiency and predictive design modeling.



What is the heat dissipation technology of the distribution box

These heat dissipation technologies can be selected and combined according to the actual needs and environmental conditions of the distribution box to ensure that the internal temperature of the



Heat Dissipation in Electrical Enclosures; FanBlower Selection

Dissipation in sealed electrical enclosures The accumulation of heat in an enclosure is potentially damaging to electrical and electronic devices. Overheating can shorten the life expectancy of costly

Contact Us

For datasheets, pricing, or custom high-speed optical interconnect solutions, please visit:
<https://www.syropy.com.pl>