

# Customized Tubular Busbar Clamps





## Customized Tubular Busbar Clamps

---

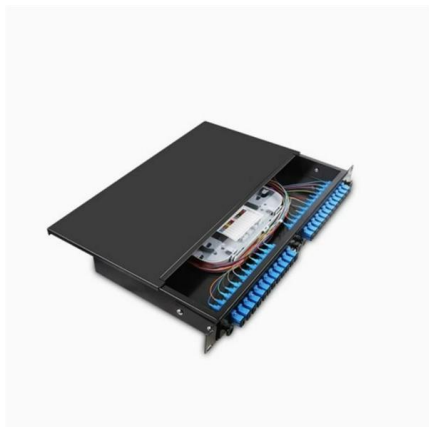


### Mgt-Type Tubular Bus Bar Clamp

Please feel free to buy customized Mgt-Type Tubular Bus Bar Clamp made in China here from our factory. All Mgt-Type Tubular Bus Bar Clamp are with high quality

### EMS , ? Customized Flexible Busbars

The three most common highly flexible busbars are Braided Flexible Busbars, Ultraflexx®, and Earth Braids. Although they are all made of individual wires,



### Laminated, Copper Busbar, Fixing Clamp Supplier

This Fixing Clamp is ideal for connecting rigid copper busbars to transformer terminals. It make it a reliable choice for maximum current connections.

### Busbars

Safe and economic connection ABB busbar systems enable safe and easy cross-wiring of miniature circuit breakers, residual current devices and other Modular DIN-Rail products. The following points



### Substation Components

The range includes connectors, clamps and hardware for tubular aluminium busbars in both bolted and welded solutions as requirements dictate. Our customers can be reassured of achieving their



### BMC Busbar Clamps

Kaerda (Jiangsu Lantai) offers extensive expertise in designing and manufacturing custom BMC and SMC solutions tailored to the precise requirements of busbar



### Home

Our range of Busbar systems is divided into Low Voltage and Medium Voltage systems that is made up of Lighting, Sandwich, Cast Resin, IPB, SPB, NSPB. BUSBAR SERVICES also designs,



### **Busbars , Power, Laminated and Custom Busbar**

Consisting of multiple conductive layers bonded with thin insulation, laminated busbars from Molex are compact, high-performance solutions designed to

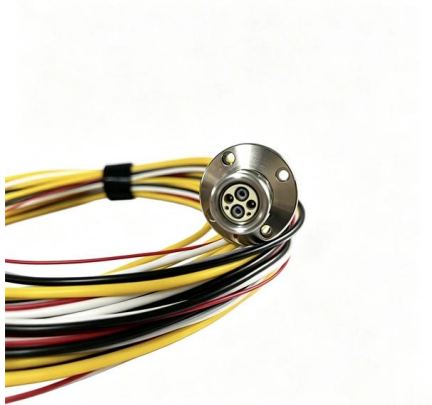


### **Flexible Clamps for Tubular Busbar**

Flexible Clamps for Tubular Busbar are mainly used for the continuation and repair of overhead power lines and lightning protection lines. According to the different

### **Tubular Busbar Vibration Damper T Wire Clamp**

T-Clamp for Tubular Busbar Vibration Damper T-Clamp Assembly for Tube Bus Vibration Damper Function & Structural Role The T-Clamp is a critical mounting component that securely attaches



### **MGS tubular bus bar expansion clamp\_Huadong Cable**

Tube bus bar corona ball is used to prevent corona at tube bus terminal. P.S.: Custom made is available according to different requirement. Request For



## Types of Power Bus Bar Connectors , TE Connectivity

Efficient power distribution Busbars and busbar connectors are an efficient method of distributing power in a system, transmitting high current power from source to

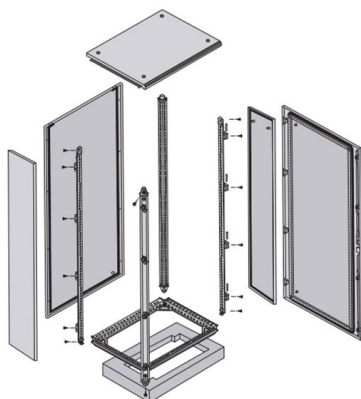


### Mgs Expansion Clamp for Tubular Bar

The electric anchor clamps are manufactured according to international standard. The electric anchor clamps, cable auxiliaries and other matched products have

### Microsoft Word

Tubular Busbar Standard South African busbar tubes are supplied in either the alloys 6101-A and/or 6261-TF which are both suitable for electrical purposes. The 6261-TF alloy has better mechanical



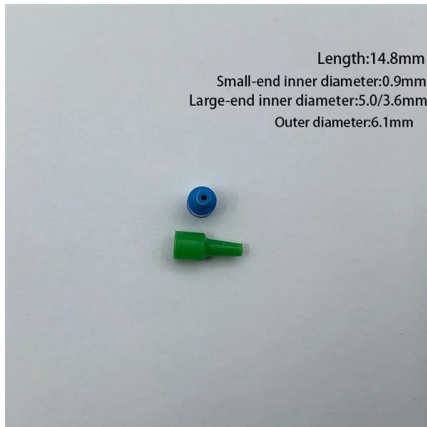
### Busbar clamp

The busbar clamps can be produced in various sizes to accommodate busbars of dissimilar thicknesses and widths. Adjustable or customized configurations can also be designed to allow flexibility in the

### PLP Tubular Busbar Clamps



Every been to e the of this 70 MINIMUM RATED CURRENT diam 0120mm Stainless steel Gr. A4\_ are cast aluminium Bdt torque values: MIO (St steel) 35Nm M12 (St steel) to stamped in location smwn\_



### Busbar Clamps and Connectors , nVent ERIFLEX

Busbar Clamp to connect nVent ERIFLEX Flexibar to copper punched busbar without drilling.

### Tube Busbar Fitting Fxed Support Clamp

Tube Busbar Fitting Fxed Support Clamp, Find Details and Price about Tubular Busbar Fitting Fixed Support Fitting from Tube Busbar Fitting Fxed Support



### Busbar Clamps Manufacturers and Suppliers in the USA and Canada

Welcome to this comprehensive resource for Busbar Clamps Suppliers and Manufacturers on Thomas. Here you can find any Busbar Clamps Suppliers that suits your needs.



## Bus Bar Clamps Factory, Custom Bus Bar Clamps OEM/ODM

You can buy factory price bus bar clamps from a great list of reliable China bus bar clamps manufacturers, suppliers, traders or plants verified by a third-party inspector.

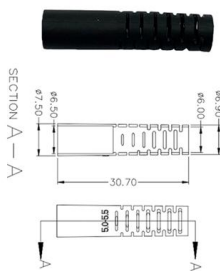


### Busbar Clamp

We use highly automated production lines to ensure every single busbar module has precise and consistent dimensions. The unique modular design makes manufacturing, assembly, and on-site

### Copper Busbars , nVent ERIFLEX

Bimetal plate that enables high performance contact between aluminum busbars and copper busbars.



### Hot DIP Galvanized Tubular Busbar Fixing Clamp

This series of Tubular busbar clamp, its upper covers are aluminum alloy, other parts are hot-dip galvanized. Its base surface is smooth and fixed on the ground by two



## Custom Bus Bars

Custom Bus Bars ProtoSpace Mfg can manufacture your fully finished custom Bus Bars in 2-3 days, with no minimum order. Bus Bars can be designed flat or



## Contact Us

---

For datasheets, pricing, or custom high-speed optical interconnect solutions, please visit:

<https://www.syropy.com.pl>