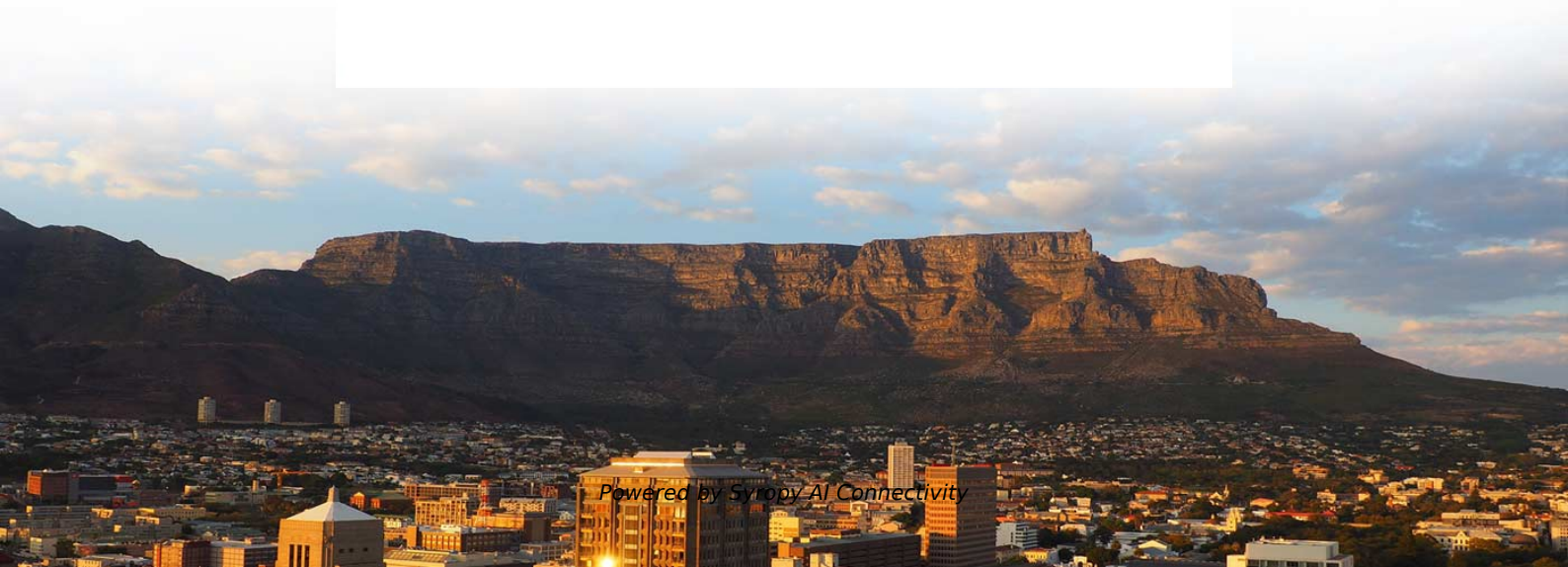




**Syropy AI Connectivity**

# **Customized Solution for Aluminum Plate Cover of Distribution Box**





## Customized Solution for Aluminum Plate Cover of Distribution Box

---



### aluminium enclosures, aluminium box enclosure , DSW

Enclosure Aluminium Die-cast enclosures protect circuit boards in electronics, routers and switches in telecommunications, electronic control units in

### ENGINEERED SOLUTIONS Structural Plate Design Guide 8 Edition

Steel and Aluminum Structural Plate Design Guide Table of Contents This design guide is provided by Contech Engineered Solutions to assist designers with most applications and design aspects of



### OEM Sheet Metal Distribution Box

As a leading OEM Sheet Metal Distribution Box manufacturer, we specialize in custom industrial electrical enclosures tailored to global standards.

### Why Choose a Customized Distribution Box?

Discover the advantages of a customized distribution box for your business. Get tailored solutions--contact us now for your smart, scalable power distribution needs!



### Distribution Box Cover

Distribution box cover is a protective cover that provides extra protection to the junction box cover from external hazards. This distribution box cover is suitable for the installation of all kinds of switches,



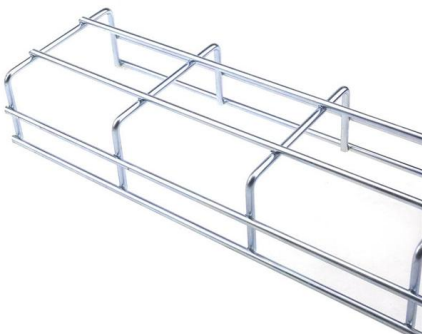
### Distribution enclosure, Distribution box

Used for strong current connection of high voltage distribution box, all-in-one controller, battery box and other equipment. JX59 single-core series adopt plastic housing, while JX59M single-core series



### Custom Boxes and Solutions - Access Electric Supply

Whether your project requires junction boxes (J-boxes) for cable bus systems, pull boxes, top hats, panel skirts, control enclosures, or custom-fabricated skids,





### **Distribution Box Customized Commercial Solutions**

Our customers can also request customized materials for their enclosures, including different flame-retardant levels and protection against UV rays and corrosion for specific environmental conditions.



### **CUSTOM SIZED ALUMINIUM BOX**

Custom sized aluminium sheet metal box with an aluminium sheet cover. Detachable top cover allows easy assembly and maintenance access. Internal surface of the sheet aluminium is unfinished,

### **Premium Aluminium Boxes & Custom Solutions , Alu**

Explore ALU-LOGIC's range of aluminium cases, boxes, and custom solutions, ideal for diverse sector needs and logistics efficiency.



### **Custom Metal Enclosure Fabrication , Industrial**

From precision-milled aluminum boxes to fully welded powder-coated cabinets, we offer complete manufacturing -- including cutting, forming, welding, coating,



**EWJ - Custom Electrical Enclosures & Waterproof Distribution Boxes**

From prototype to mass production, we support OEM metal enclosure customization with drawings. From drawing to delivery in 4 simple steps. Send us your technical drawing or design requirements.



**Aluminum Box Fabrication: Top Quality, Precise Made-to-Order**

DEK provides aluminum box fabrication using advanced CNC machining, welding, and finishing techniques. Unlike generic fabricators, DEK ensures tight tolerances, certified materials, and



**Custom Power Distribution Box Manufacturers , J& HW**

Discover reliable power distribution box manufacturers and custom power distribution solutions for every need.



**Custom Aluminum Box Fabrication**

Discover the allure of flawless fabrication: Your prime destination for custom aluminum box mastery. Our expertise encompasses precision cutting, seamless



89P      36P      16P

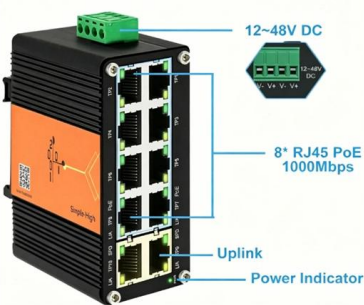


## Customized Distribution Aluminum Enclosures for Versatile Uses

Enhance protection and durability with versatile customized distribution aluminum enclosure designed for various electronic applications. Ideal for safeguarding sensitive components.



10 Ports PoE Switch 12~48V DC  
Booster Function

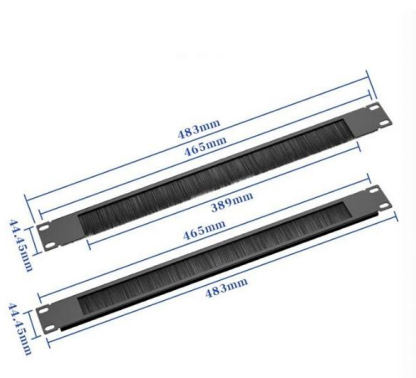
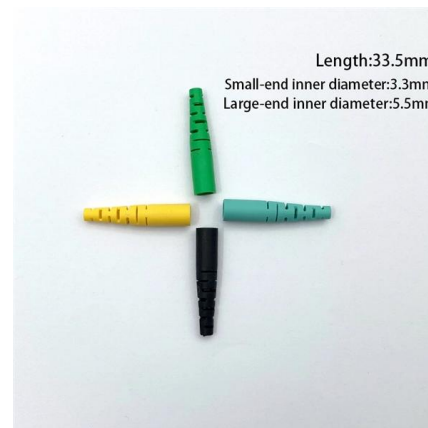


## Why choose a customized distribution box

Explore why choose a customized distribution box for your power needs. Enjoy tailored solutions and modular design benefits.

## ENCLOSURE MANUFACTURING - Polar Switchgear

Form IV Enclosure Form II Enclosure Extendable Enclosure Large Enclosure Medium Enclosure Compact Enclosure Modular Distribution Boxes Aluminum



## Power Distribution Boxes

Custom power distribution boxes are engineered to meet your specific power management needs. Our boxes feature modular designs with flexible input/output

**Aluminum Box , Aluminum Enclosure , JLCMC**



Buy electrical aluminum boxes & enclosures at JLCMC. Precision aluminum extrusion, diverse options, and great value. Customization and cutting are



### **Build a Box , Customize Your Own Boxes**

At Build a Box, we're your go-to creator of end caps, retail displays, & custom corrugated displays. We also make retail packaging, shipping boxes,

### **Custom Aluminum Box Fabrication -KDMfab**

Your design selection is unlimited with KDM. Even more importantly, we create IP-rated and NEMA-rated aluminum boxes fit for outdoor, commercial, marine, and industrial use. Simply give us your



### **Customized Steel Plate Waterproofed Electrical Power**

Customized Steel Plate Waterproofed Electrical Power Distribution Board Box for High-Rise Buildings, Find Details and Price about Electrical Box Distribution Box





## Connect System India , Floor Boxes, Desktop Power

Connect System India is a leading manufacturer of floor boxes, desktop electrical, power strips, grommets, flip cover & PDUs for modern workspaces and offices.



## Custom Aluminum Storage Box Manufacturer: Sun Case

Whether you're a distributor, retailer, or industry professional, our aluminum storage boxes provide unmatched quality and versatility. Backed by over 14 years of

## Contact Us

---

For datasheets, pricing, or custom high-speed optical interconnect solutions, please visit:  
<https://www.syropy.com.pl>