

Customized Relay Protection Room





Customized Relay Protection Room

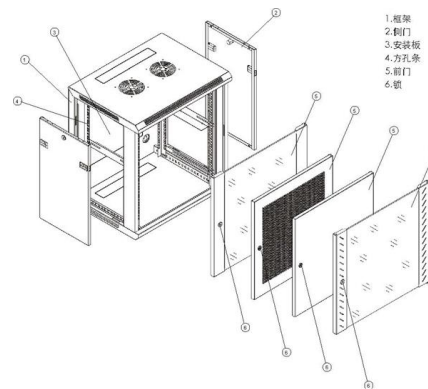


Control and Relay Panel Solutions , ABB Electrification

By deploying CRP solutions also enhances the safety to the substation engineer, as exposure to a live switchgear is mitigated. It is designed and customized to fully

Control and Relay Panel Solutions , ABB Electrification

Providing customized solutions for utility, industrial and infrastructure distribution networks A Control & Relay Panel (CRP) solution is designed to control several



Portable Relay & Marshalling Kiosks

The document discusses Acrastyle's expertise in providing portable relay rooms, control rooms, and enclosures for electrical substations and rail networks. These

Custom Relay & Contactor Panels

We offer tailored relay or contactor panel solutions designed to meet your specific needs with expert customization and reliable service.



Control & Relay Panels

Our range of Protection Relay Panels, Control Panels and Control Desks provide optimum system solutions fulfilling the protection control requirements of



Custom Protection Panels for Utility & Commercial Needs

Phasr Industries provides Protection and Control Panels to the Utility and Commercial markets. Relay Panels are built to meet and exceed industry



Custom Protection Panels for Utility & Commercial Needs

Optimize safety with custom protection control panels. Tailored designs and reliable shipping across the US to meet all industrial needs efficiently.





Relay and Control Panels Tailored to Your System's Specifications

Our engineers specialize in designing custom protective relay panels precisely to your specifications, seamlessly integrating your standards with our production processes for maximum efficiency. Our

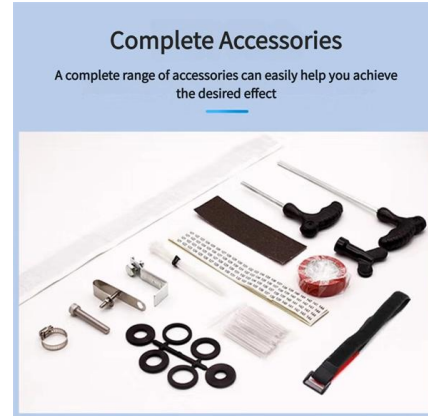


Relay Protection Solutions

Cubicles/relay protection and emergency control automation for distribution grids, oil and gas industry, industrial plants and traction substations; Relay protection for



Relay Panels



Relay Protection and Automation Cabinets (RPA)

devices. The group of relay protection includes RPA cabinets, operational current cabinets, own-use cabinets, signaling and telemechanics cabinets. FEATURES



Lyntec

Working closely with system designers, LynTec incorporates electrical protection, circuit switching capabilities, and an operational controller within a common enclosure -- saving valuable wall space,



Relay panels tailored to customer specifications
Crown offers relay control panels in a wide variety of designs that continue to evolve and develop to meet the different



Cabinets and Panels of Relay Protection and Automation

Cabinets and devices of relay protection and automation (RPA) manufactured by Radiy are a modern solution for control, automation, protection, monitoring and



Customize your protective relay testing equipment

Customize your Doble protective relay testing equipment Testing requirements can vary from team to team and company to company. That's why



Configuring Microprocessor-Based Relay Systems for Maximum Value

Configuring Microprocessor-Based Relay Systems for Maximum Value Overlooking custom relay programming undermines relay upgrade investments and jeopardizes system protection. Executive





Build a Panic Room in Your Home

Learn how you can build a panic room inside a home or building to provide a safe location for designated people to shelter in during an attack.

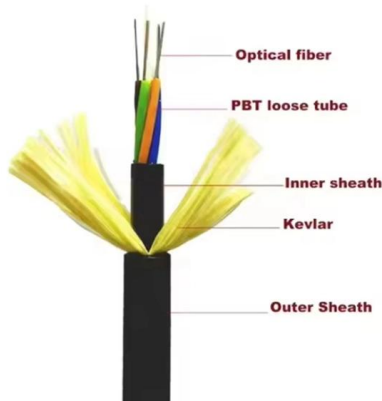


Relay Panels

We offer a basic design for the panel compartments and enclosures that allows inter-compartment barriers and rear doors to be modified as required by the installation environment.

Common Relay Room Design Mistakes and Fixes

Learn the most common relay room design mistakes and practical fixes for wiring, cooling, panel spacing, and grounding issues in protection systems.



Enclosures & Kiosks (Outdoor & Indoor)

Acrastyle's expertise in power system protection design and manufacturing enables us to provide portable relay rooms and control rooms. These allow the customer to quickly integrate the protection



Relay Protection & Automation Systems , Solution , Eknis

Advantages of the implementation of Relay Protection and Automation projects by LLC "EKNIS": - development standart design solutions for Customer; -



Control and Relay Panels: Improves Power System

Control & Relay Panels How Control and Relay Panels Improve Power System Protection and Automation with SCADA In today's fast-evolving power sector,

CONFIGURING MICROPROCESSOR-BASED RELAY SYSTEMS

CONFIGURING MICROPROCESSOR-BASED RELAY SYSTEMS FOR MAXIMUM VALUE Overlooking custom relay programming undermines relay upgrade investments and jeopardizes system



Custom relay - MG relay manufacturers

At MG relay, we specialize in providing custom relays designed to meet the unique requirements of your electrical and control systems. We understand that each application has its own set of challenges,





Relay Control Panels

Complete and fully integrated relay and PLC solutions, from utility panels to SCADA integration. Quick turnaround from engineering to delivery. Custom fabrication



89P

36P

16P



Control house at HV/EHV switchyards and substations

Compact relay and programmable logic controller designs can be mounted on 48.26-cm (19-inch) racks. Figure 6 - Relay protection panels in

Contact Us

For datasheets, pricing, or custom high-speed optical interconnect solutions, please visit:

<https://www.syropy.com.pl>