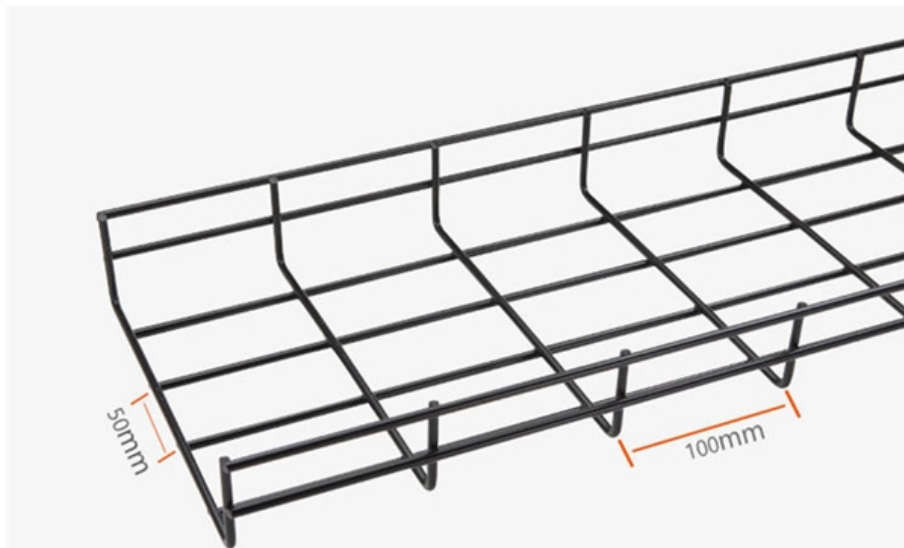


Customized 6-core fiber optic cable





Customized 6-core fiber optic cable



6 Strand Armored Fiber Optic Cable Selection for Outdoor Routes

Choose 6 strand armored fiber optic cable by fiber mode, armor structure, jacket, tensile strength, installation method, testing, and reel length.

Fiber Optic Cables, Patch Panels & Networking Products

Shop high-quality fiber optic cables, patch panels, adapters & networking solutions. Fast US shipping, bulk pricing, and reliable performance.



Custom Fiber Optic Cables

Technical Cable Applications is your optimal choice for Ethernet, Cat-6, and custom fiber optic cables or cable assemblies that are highly customized to fit your

Anti-bending G657A1 Fiber Optic Breakout Cable 12Core Aramid

Attributes Indoor Fiber Optic CableType >= 10Number of Conductors FiberConductor Material G657A1Fiber Type StrandedConductor Type Breakout CableModel Number Brand



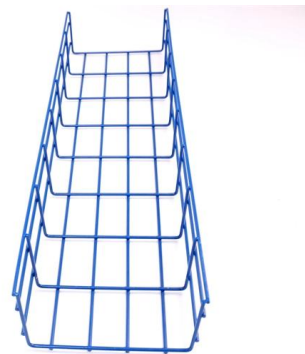
Fiber Optic Cables

CommScope designs and manufactures a comprehensive line of fiber optic cables--from outside plant to indoor/outdoor and fire-rated indoor fiber cables.



Fiber Optic

The better, faster, easier way to build fiber optic cables is here. Use our online cable configurator for custom fiber, copper, and RF cables, delivered quickly.



6 Core Fiber Optic Cable Price and Specification Guide

Compare 6 core fiber optic cable price by single mode or multimode fiber, jacket, armor, tensile strength, packing length, and testing.

12-core GYXTW Single-mode G652D Central



Loose Tube Structure

Optical Fiber Fiber Type G652D/G657A1/G657A2
Conductor Type Solid Model Number GYXTW
Brand Name jiqian/Customize Place of Origin
Guangdong, China Type Central Loose Tube
Product name



How Much Does Fiber Optic Cable Cost? 2025 Factory

Searching for how much does fiber optic cable costs? Stop guessing. We break down 2025 prices for OS2, OM3, and Armored cables directly from the Wolontek

6 Fiber Single-mode Custom Fiber Optic Cable

Save valuable time and money by making use of this 6 Fiber, Single-mode, pre



Cables

Buy cables, fiber optic cables, Cat6 cables, Cat5 Cables, ethernet cables, power cords, patch cables, HDMI and custom cables. Shop for cables.



OMC Cable , Custom Fiber Optic Cable Manufacturers & Producers

At OMC Cable, we establish ourselves as one of the leading fiber optic cable producers through our unwavering commitment to quality,



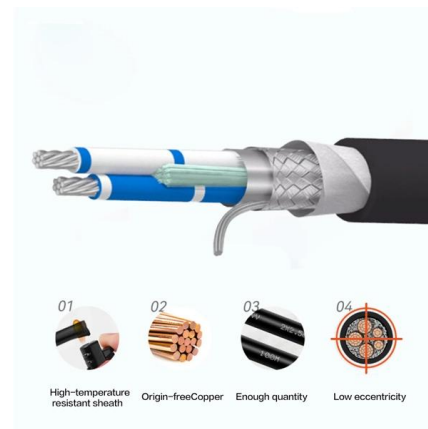
ADSS Fiber Optic Cable 6 12 24 48 96 144 Core All Dielectric Self

Key attributes Application parallel Conductor Material none Number of Conductors 24 Insulation Material PE Jacket PE Length customized Place of Origin Hebei, China Model Number Optical Cable Outdoor



Cost of Fiber Optic Cable: Pricing Guide (2026)

Discover the cost of fiber optic cable in this pricing guide. Learn material prices, installation factors, and what impacts total project costs overall.



OPGW Fiber Optic Cable Bare Conductor High Voltage 35kV

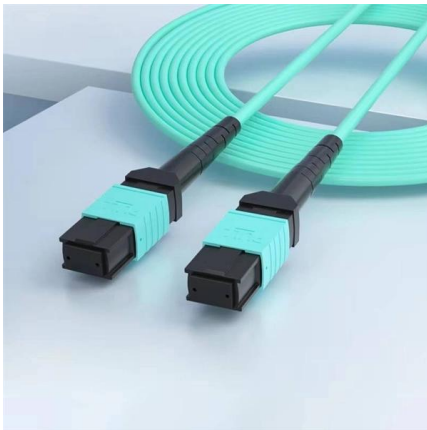
OPGW Fiber Optic Cable Bare Conductor High Voltage 35kV 24/36/48/96/144 Core G652D G655C Overhead Cable Per KM Price





Fiber Optic Cables , Fiber Patch Cables , Patch Cords,

Fiber Patch Cables, Multimode & Singlemode Duplex Fiber Optic Cables, Secure Order Fiber Patch Cords, Preferred Mil. Edu. Gov. Pricing, Same Day Shipping



China Top 10 Fiber Optic Cable Manufacturers in 2025

The fiber optic cable industry in China has solidified its position as a global powerhouse, driving the expansion of high-speed networks, 5G infrastructure, and smart cities. As of November



Fiber Optic Color Code: The Ultimate TIA-598-C Guide

Master the TIA-598-C fiber optic color code standard. Read our complete guide and use our free interactive calculator to easily identify 1-144 core cables.



Fiber Optic Cables Custom Solutions , FiberMania OEM/ODM

As an experienced OEM/ODM provider, we offer fully customizable Fiber Optic Cables to meet specific client requirements. Customers can specify fiber type, core count, cable length, jacket material and



OMC Cable , Custom Fiber Optic Cable

At OMC Cable, we establish ourselves as one of the leading fiber optic cable producers through our unwavering commitment to quality,



The Ultimate Fiber Optic Cable Size Reference Chart

Choosing the Right Fiber Size for Your Application
Selecting the correct fiber optic size for your specific application is crucial to ensuring optimal

Custom Cable

Build and buy your perfect custom fiber optic cable made to your exact specifications with quality that's essential for a reliable and robust product. We stand behind our



GYTS GYTA 48 Core G652D Single Mode Stranded

GYTA/S APL PSP Armored Stranded Loose Tube Optical Fiber Cable GYTA/S APL PSP Armored Stranded Loose Tube Optical Fiber Cable,The bending insensitive



ADSS Fiber Optic Cable, Price And Specifications

Want to make customized ADSS fiber optic cable? With flexibility and expertise being at the core of our comprehensive product customization service, we have a set of



Customized 6 Fibers OS2 Single Mode LC/SC/FC/ST/LSH Indoor

Buy 6 Fibers OS2 9/125 Single Mode indoor Multi-Fiber pre-terminated breakout cable from Connlight, customized Jackets, length and connector type.

Fiber Optical ASU/ADSS Cable 12/48/72/96/144 Core Outdoor FTTH

Optical Fiber Cable for FTTH Network: This ADSS cable is specifically designed for Fiber-to-the-Home (FTTH) networks, providing a reliable and efficient means of connectivity for high-speed internet and



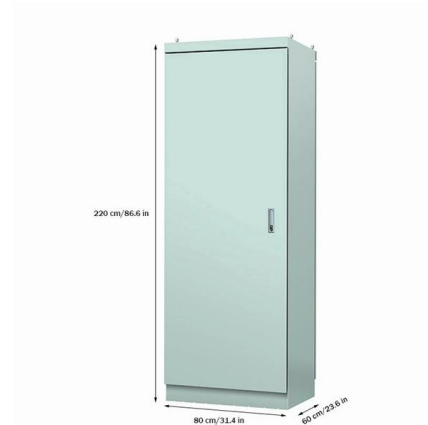
GJYXFHA PON FTTH Duct Butterfly-Shaped 2/4/6/8/12 Cores Bow-Type Fiber

Warranty Time 25 years Product name 2/4/6/8/12 cores bow-type drop fiber optic drop cable for pipeline Application Duct mount drop cable Cable Type



Fiber Optic Cables Adapters Couplers Connectors Bulk Cable

Fiber Optic Cables, Adapters, Couplers, Connectors & Other Components At L-com, we are a global leader of wired and wireless connectivity products, offering a wide range of solutions across many

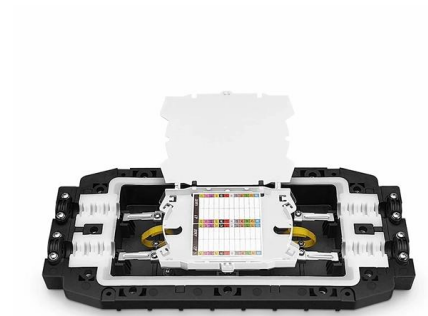


12 core fiber optic bundle cable

Shop high-quality 12 core fiber optic bundle cables for reliable data transmission. Bulk orders and customized lengths available from trusted suppliers.

Wholesale Customised 6 Core OM3 Multimode 10Gb

Low Insertion Loss - High-precision ceramic ferrules ensure stable optical performance and minimal signal loss. Plug & Play - Standard LC/SC/FC



Contact Us

For datasheets, pricing, or custom high-speed optical interconnect solutions, please visit:

<https://www.syropy.com.pl>