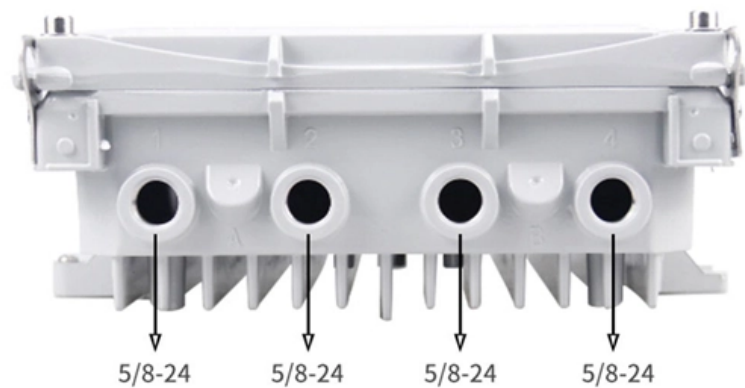


Customization Process for ADSS Optical Cable G 654 E for Broadcast Transmission





Customization Process for ADSS Optical Cable G 654 E for Broadcast

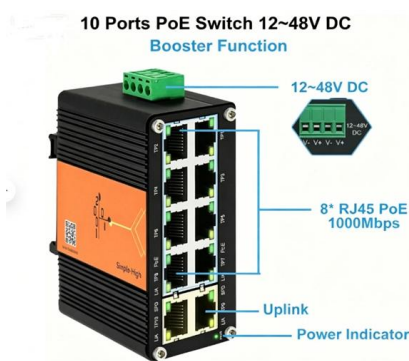


ADSS (All-dielectric Self-supporting) optical fibre cable is a type of

ADSS Fiber Optic Cable ADSS (All-dielectric Self-supporting) optical fibre cable is a type of self-supporting aerial fiber optic cable designed for aerial installation and deployment and is suitable for

White paper G.654.E Fibre Cable , Solutions de câblage

This white paper examines how existing transmission technologies, such as Direct Detection and G.652.D fibre, are resulting in higher CAPEX and OPEX as



How To Design and Select ADSS Fiber Optic

In short, ADSS cable is a high-strength and high-reliability optical cable. When used in occasions such as high-altitude power transmission lines, it

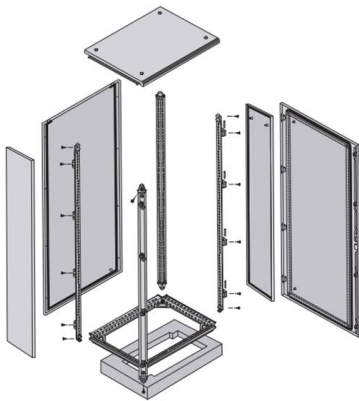
ADSS Cable: Revolutionizing Aerial Fiber Optic Networks

In the realm of high-speed communication, fiber optic cables are essential for delivering fast, reliable data transmission, and the ADSS cable--or



The structure and characteristics of ADSS optical cables

ADSS (All-Dielectric Self-Supporting) optical cables are a type of fiber optic cable designed for aerial installations without the need for external support like messenger wires or metallic



GL FIBER® G.654.E Bend-Insensitive Fiber

G.654.E fibre is featured with larger effective area and lower attenuation than normal fibre, and more suitable for long-haul transmission with high capacity and speed rate.



ADSS Cable Specifications and Accessories , PDF , Cable , Optical

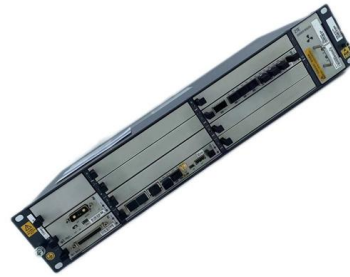
The document discusses specifications for ADSS aerial cable and accessories used in overhead power lines, including: 1. Mechanical specifications for loose tube ADSS cable with details on fiber

Gcabling ADSS Fiber Optic Cables: Reliable



Overhead Solutions for

ADSS fiber optic cables (All-Dielectric Self-Supporting) offer unmatched durability and signal stability in high-risk environments like power transmission corridors or harsh weather zones.



GL FIBER® G.654.E Bend-Insensitive Fiber

Demand of G.654.E fibre and cable is rapidly increasing in these years, it would contribute more for the improvement of optical network in future. GL FIBER's FarBand® Ultra delivers both advantages in a

Benefits of ADSS Fiber Optic Cables for Overhead

Discover the advantages of using ADSS fiber optic cables in overhead transmission lines. Learn about installation process, considerations, and future



Strengthen door locks
More durable and aesthetically pleasing



Grounding screw
More aesthetically pleasing and safer



Removable hinges
Make operation more convenient



Sealing strip
Dustproof and waterproof



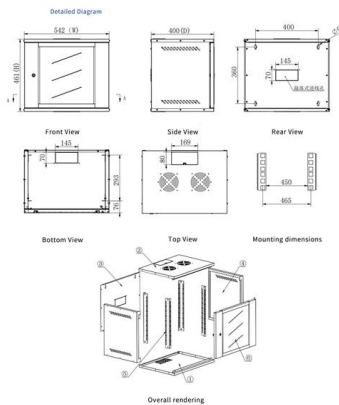
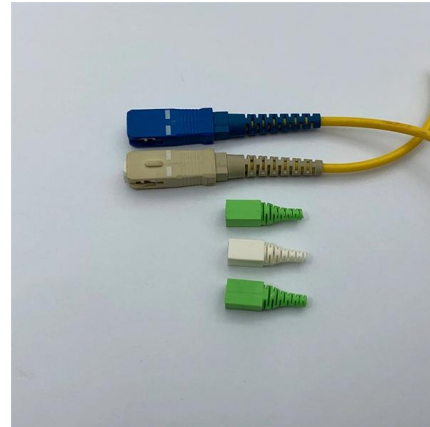
ADSS Cables Explained: Design, Installation, and Real-World

A practical guide to ADSS cables covering structure, span design, installation tips, and real-world fiber optic network applications.



Different Types and Specifications of ADSS Fiber Optic

ADSS fiber optic cables are available in a variety of core counts, ranging from 2 fibers to several dozen. The core count you choose will depend on several key



Which Optical Fiber Should You Choose for Your ADSS

The G.655 fiber will give you reliable, high-performance transmission without the added hassle of extra equipment. Choose G.652D if you're working

AR-1FDPE-FGPE-ADSS-200M-96F-G652D

1. General 1.1 Scope This specification covers the design requirements and performance standard for the supply of optical fibre cable in the industry. ARTIC ensures a stable quality control system for our



G.654 Fiber Specifications Overview , PDF , Optical

Fiber Selection Guide_G652, G654, G655 - Free download as PDF File (.pdf), Text File (.txt) or read online for free.



ADSS Optical Fiber Cables: A Guide to 6-288 Core Configurations

The number of fiber cores in an ADSS cable defines its data transmission capacity. Lower core counts (e.g., 6-24) are ideal for localized networks, while higher counts (96-288) cater to



AERIAL CABLE

Optical fibre cables supplied in compliance with this specifications is capable to withs-tand the typical service condition for a period of twenty-five (25) years without detriment to the operation

ADSS Fiber Optic Cable Specifications Explained

Explore the complete specifications of ADSS fiber optic cables, including structure details, mechanical performance, optical characteristics, and



What is ADSS Fiber Optic Cable? Structure,

Discover the structure, features, and advantages of ADSS fiber optic cables. Learn how ABPTel's aerial fiber solutions enhance telecom and power networks.



G.654 Fiber Specifications Overview , PDF , Optical

Scribd is the source for 300M+ user uploaded documents and specialty resources.



ADSS Cable: The Ultimate Solution for Power and

Discover why ADSS cable is trusted by power utilities and telecom operators. Learn how it improves safety, reduces costs, and ensures long-term

OPTICAL FIBER CABLE SPECIFICATION (ADSS-Span= 100m)

1. General 1.1 The specification covers the construction and properties of single mode optical fiber cable.



ITU-T G.654.E Fiber, PureAdvance for Terrestrial Long-Haul Networks

0.16 dB/km or less, which are fully compliant with ITU-T G.654.E. In this whitepaper, we review ITU-T G.654.E fibers from various points of view; what G.654.E is, what the application of G.654.E is, why



Ficha_AR-1-FADPE-ADSS-60M-xxF-G652D

This Specification covers the design requirements and performance standard for the supply of optical fibre cable in the industry. ARTIC ensures a stable quality control system for our cable products



Application of G.654.E Fiber for High-Capacity Long

By the end of 2021, Chinese telecom operators had implemented G.654.E fiber in projects totaling approximately 41,000 km of cable, focusing on

Ficha_AR-1NSU-ADSS-PE-50M-xxF-G652D

This specification covers the design requirements and performance standard for the supply of optical fibre cable in the industry. It also includes ARTIC premium designed cable with optical, mechanical



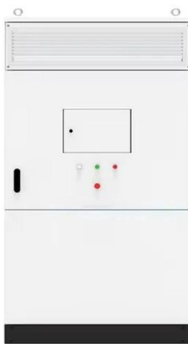
Technical Specifications

Technical Specifications For ADSS (All Dielectric Self Supporting) Optical Fiber Cable (ADSS-12 Cores, single sheath, ITU-T G.652.D Fibers)



ADSS Fiber Optic Cable Installation Guide

Prysmian ADSS Installation - Free download as PDF File (.pdf), Text File (.txt) or read online for free. This document provides guidelines for installing All Dielectric



ITU-T Rec. G.654 (12/2006) Characteristics of a cut-off shifted single

This Recommendation describes the geometrical, mechanical and transmission attributes of a single mode optical fibre and cable which has the zero-dispersion wavelength around 1300 nm wavelength

ADSS Fiber Optic Cable: What You Should Know

ADSS (All-dielectric Self-supporting) optical fibre cable is a type of self-supporting aerial fiber optic cable designed for aerial installation and deployment



Contact Us

For datasheets, pricing, or custom high-speed optical interconnect solutions, please visit:
<https://www.syropy.com.pl>