

Custom Laser Diode LPO





Custom Laser Diode LPO



VLM-635-63 LPO-100 , Quarton, Inc. , Laser Diodes , JLCPCB

VLM-635-63 LPO-100 from Quarton, Inc. - Laser Diodes is available for JLCPCB assembly, check the stock, pricing and datasheet, and let JLCPCB help you assemble the part VLM-635-63 LPO-100 for

Custom Fiber-Coupled Laser Diodes for Dental OEM

For nearly 30 years, RPMC Lasers and LDX Optronics have partnered to deliver cutting-edge laser diode solutions for the Medical Market, transforming



Custom & OEM Solutions

Custom & OEM Solutions By leveraging our core expertise in optoelectronics technology and global manufacturing presence, OSI Laser Diode, Inc. (LDI), leads the industry in providing the best, and

Introducing Linear Pluggable Optics (LPO)

This article gives a short insight into how LPO technology works, how it differs from DSP-based optics, the scenarios where it offers the most advantages, and the



Laser Heads for CNC Engraving ? Laser Systems,

European manufacturer of laser systems, modules, and electronics. Laser solutions for science and industry. E-shop: laser components, engraving laser heads for

Laser Diode Driver Units Manufactured by Opt Lasers

Laser Diode Driver Units Overview Laser Diode Driver products (LD drivers in short), designed and manufactured by us, ensure optimal current flow through laser



VLM-520-60 LPO Quarton Inc. , Optoelectronics , DigiKey

Order today, ships today. VLM-520-60 LPO - Laser Diode 520nm 0.39mW 3V 60mA Cylinder (10.0mm Dia) from Quarton Inc.. Pricing and Availability on millions of



Custom Laser Diodes

Get Quotations on your custom Laser Diode requirement from multiple manufacturers via GoPhotonics. Enter your requirements, details and upload any supporting files.



Laser Diodes - semiconductor, gain, index guiding, high

Laser diodes are semiconductor lasers with a current-carrying p-n junction as the gain medium. They are the most important type of electrically pumped lasers.

Diode Lasers

Whether you need a laser with custom specifications or simply want to learn more about laser processing, an IPG diode laser expert is ready to help you find your diode laser solution.



CLM-635-01 LPO Quarton Inc. , Laser Diodes, Modules

Buy now, ships today. CLM-635-01 LPO - Laser Diode 638nm 0.39mW 3V ~ 6V 50mA Cylinder (20.0mm Dia) from Quarton Inc.. View datasheets, pricing and



Laser diode

The laser diode chip removed and placed on the eye of a needle for scale. A laser diode with the case cut away. The laser diode chip is the small black chip at the

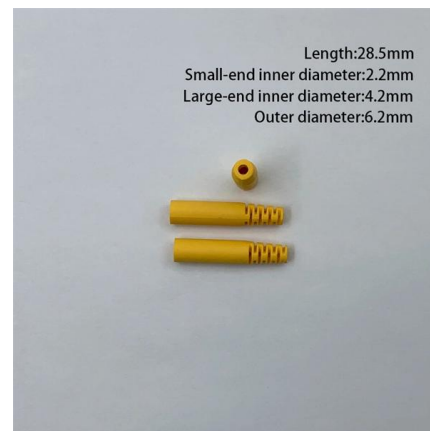


Custom made laser diode controllers , Opt Lasers

We offer customized laser diode controllers. We can work with you to define what you need and advise on implementation of laser diode drivers in your systems.

Laser Diode Chips

We produce a comprehensive range of premium laser diode chips for diverse application scenarios, utilizing state-of-the-art quantum-well epitaxial layer growth



Custom Laser Diode Assembly for High Power Output

Neptec's Custom Laser Diode Assembly is tailored for efficiency and reliability, providing stable, high power optical output. Ideal for fiber optic communications, sensing, and industrial laser systems.



Micro Dot Laser Module , Medical & Precision Tool

Micro dot laser module delivers a mini red dot for medical, biotech, and precise measurement tasks. Features advanced APC drive for safe, stable output.

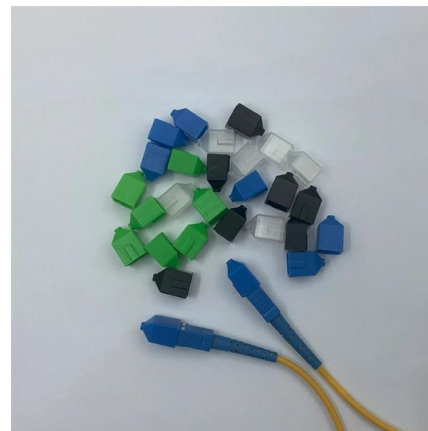


Laser Diode Modules , CW & LD Modules , UV-LWIR

Our CW laser diode (LD) modules include the laser diode with the thermal management and electrical interface in a simple and easy to use module. Get

Custom Laser Diode Products for Enhanced Performance

Custom laser diode products offer enhanced performance and versatility for a wide range of applications. Whether you require precision, power,



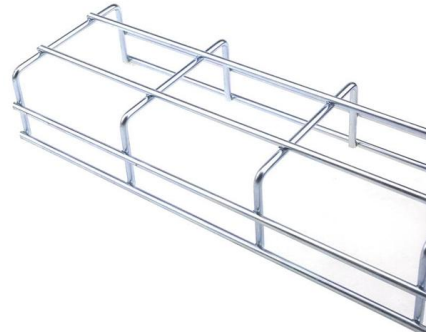
Custom Laser Diodes , Cost-effective Custom Diode

RPMC Lasers, with the support of Jenoptik, was able to customize the laser diode bar design for the specific wavelengths needed and to improve efficiency and the

An Introduction to Laser Diodes



An Introduction to Laser Diodes Learn about the laser diode, including package types, applications, drive circuitry, and some laser diode specifications.



VLM-635-63 LPO-100 , Quarton, Inc. , Laser Diodes , JLCPCB

No longer need to assemble boards yourself, JLCPCB helps you assemble the part VLM-635-63 LPO-100 for free. Sign in JLCPCB to get coupons and free assembly service.



VLM-635-57 LPO-D45-F10

VLM-635-57 LPO-D45-F10 Quarton, Inc. In-stock, Fast delivery, View datasheets, inventory and price, or find other Laser Diodes,Laser Diodes ROHS.



LDX Optronics 35-page Laser Diode Catalog

RPMC Lasers would like to introduce the new 35-page Laser Diode catalog from LDX Optronics. It has additional standard wavelengths and





Laser diode modules

ALTER's laser diode modules: Custom configurations, in-house assembly/testing, and precision solutions for diverse Photonics applications. As the practical



Custom Laser Diode Module , Photonics Design , World

We would be delighted to discuss your unique custom laser diode module and system applications and provide you with a cost-effective and advanced solution.



Custom OEM Laser Modules , ProPhotonix

We design and manufacture OEM laser diode modules tailored to your application requirements. Custom laser modules for every requirement.



850nm High Power IR Laser Module, VLM-850-83 LPO

3W IR Laser Diode Module, ideal for 50M to 200M Security Camera Illumination, and night vision device illumination.





Plug and Play Laser Diode Modules

ProPhotonix has designed compact fiber-coupled laser diode modules offering an ideal solution for applications such as DNA sequencing, particle analysis, flow



Laser Diodes

CEO's diode engineers are highly experienced in custom designs for specialized pumping and direct diode applications. We can match your specifications to our

Contact Us

For datasheets, pricing, or custom high-speed optical interconnect solutions, please visit:
<https://www.syropy.com.pl>