

Core Enterprises in 5G Optical Module Packaging





Core Enterprises in 5G Optical Module Packaging

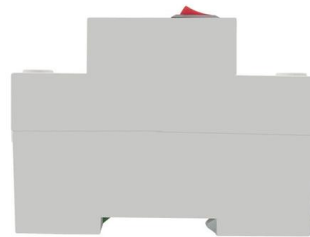


Advanced Packaging , Powering AI, HPC & 5G with

Advanced Packaging Leads the Way: As traditional scaling slows, technologies like 2.5D/3D integration, hybrid bonding and backside power

What is Co-Packaged Optics?

Learn how co-packaged optics is reshaping data center networks by slashing power use and unlocking massive bandwidth for next-gen AI performance.



Architecting Private 5G

This presentation assumes knowledge about:
Introductory knowledge of Private or Public 5G
Introductory knowledge about Cisco Enterprise Portfolio primarily ISE, Umbrella, ThousandEyes, QoS.

Titel van de presentatie

PHIX is to become a world leader foundry in packaging and assembly of Photonic Integrated Circuits (PIC's) by supplying PIC based components and modules in scalable production volumes.



Optical Module Package Market 2025

In South America, the Optical Module Package market is in a nascent growth phase, with Brazil leading in telecommunication infrastructure upgrades. Demand is concentrated in urban centers where

The Evolution of Optical Module Packaging From Bulky to Small

Each iteration of optical module packaging represents a balance and breakthrough in the three core indicators of "cost", "density" and "performance": The first generation: takes



5G Optical Transceiver Market Trends and Technologies

Technological innovations of 5G transceivers: Optical transceiver-related technology mainly includes packaging technology and optoelectronic components technology. In terms of



Advanced Packaging trends

Advanced Packaging revenue is swiftly catching up to that of the traditional packaging market
Others



FS Community

Hier sollte eine Beschreibung angezeigt werden, diese Seite lässt dies jedoch nicht zu.

Top 5G Optical Module Market Companies

Explore top 5G Optical Module market companies with rankings, financials, SWOT analysis, regional dynamics, and future outlook to 2032.



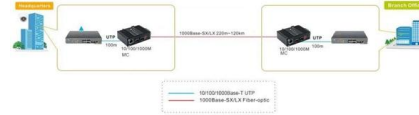
Optical Module Packaging: From Bulky Designs to SFP, QSFP, and

Optical Transceiver Packaging Evolution: From GBIC to CPO in Data Centers Description: Explore the evolution of optical transceiver packaging from 1×9 to QSFP-DD and CPO.



Optical Module Package Market 2025

The global rollout of 5G networks is significantly boosting the optical module package market, with demand expected to grow at a CAGR of 12.7% through 2032. Telecommunication providers are



How Optical Modules Power the Evolution of 5G Networks

Optical modules enable high-speed, low-latency 5G networks by converting signals for fast, reliable data transfer, supporting seamless

Optical Module Solutions for 5G& 5.5G Network Deployment

As an indispensable component of network infrastructure, optical modules play a crucial role in the deployment of 5.5G networks. This article will delve into the optical module solutions



The Evolution of Optical Module Packaging From Bulky

In scenarios like 5G live streaming, AI computing, and cloud storage, data flows at a rate of several terabytes per second. The unsung heroes behind



Understanding 5G Communication Optical Transceivers:

Explore the role of optical modules in 5G communication, including their types, features, and deployment in fronthaul, midhaul, and backhaul networks.



Co-packaged optics: The future of data centers

Discover how co-packaged optics (CPO) is revolutionizing hyperscale data centers. Learn how Corning's cutting-edge technology boosts AI performance, reduces

5G: advanced packaging technologies bring innovation

This study reveals in detail the 5G packaging market for smartphones and covers various RF front-end modules to support 5G communication, such as: 5G sub



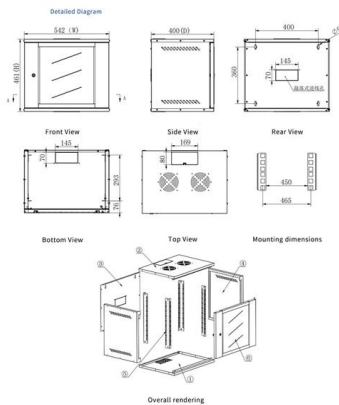
Listed companies manufacturing 5G optical module chips

Today, several publicly listed companies are actively developing and commercializing optical chips and modules specifically for 5G applications, including pure-play semiconductor



AI fuels the future of advanced packaging

Artificial Intelligence (AI) is accelerating the shift to advanced packaging with FOPLP, glass cores, and Co-Packaged Optics (CPO) integration.



Presentation

Technology & Market Trends for Advanced Packaging
ABOUT YOLE
INTELLIGENCE Semiconductor, Memory & Computing
Power & Wireless Main applications
CHIPLET AND HETEROGENEOUS INTEGRATION
ADOPTION GLOBAL MAPPING OF THE ADVANCED PACKAGING SUPPLY CHAIN (HQ)
FIELDS OF EXPERTISE COVERING THE SEMICONDUCTOR INDUSTRY
MONITORSM& A and evaluation of companies
Comparative analysis
Market segmentation
future technologies adoption,
analysis
cycle
Industrial & Consumer & Mobility Infrastructure & Aerospace
About Yole Intelligence
Advanced Packaging: Technology Trends & Drivers
Advanced Packaging: Supply Chain
Advanced Packaging: Market Trends
Conclusions
See more on medias.yolegroup.com
Missing: Optical Module
Must include: Optical Module
datainsights.market

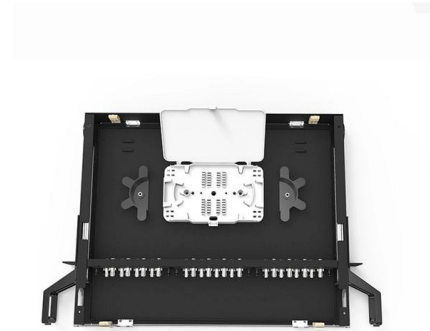
LPO Packaging Optical Module Future-proof Strategies: Trends

Key trends include the miniaturization of optical modules to meet space constraints in high-density deployments, the adoption of advanced packaging technologies to improve performance and

The Rise of Co-Packaged Optics: A Deep Dive into CPO



Enter Co-Packaged Optics (CPO), a transformative architecture where the optical engine moves inside the switch ASIC package. This article provides a



Advanced Packaging , Powering AI, HPC & 5G with

In 2025, the convergence of AI, high-performance computing (HPC) and 5G is accelerating the adoption of sophisticated packaging techniques that enhance

PwC_Semiconductor and Beyond_2026

Meanwhile, enterprise WAN, wireless-LAN (WLAN), and backbone infrastructure are steadily expanding in market size due to heightened data traffic and communication needs. Despite this growth, the



Understanding 5G Communication Optical Transceivers:

From the fronthaul of base stations to the backhaul connecting core networks, optical transceivers are essential for enabling 5G's promised bandwidth



5G bearer network: its optical module technology trends

With the continuous advancement of 5G construction and the vigorous development of data centers and all-optical access networks, new application



Optical Module: A Comprehensive Analysis from Source

Optical modules, as a core component in the modern communication field, playing a crucial role in areas like data centers and cloud computing. They



Contact Us

For datasheets, pricing, or custom high-speed optical interconnect solutions, please visit:
<https://www.syropy.com.pl>