

Congo MGTSV Optical Cable





Overview

The MGTSV type optical cable is an outdoor communication optical cable with metal reinforced components, loose layer twisted filling type, steel polyethylene bonding sheath, wrapped steel wire armor, and blue polyvinyl chloride flame retardant sheath. Mining optical cable MGTSV is a kind of optical cable used for communication in the field of communication, but because it is a communication optical cable in the mining industry, that is, in special environments such as coal mines, gold mines, iron mines, etc. COM offers an extensive line of off the shelf bulk fiber optic cable to meet high bandwidth demand in Local Area Network (LAN) campus and building backbones as well as Data Center backbones. Our extensive product range includes: Our solutions are widely applied in backbone networks, intercity cabling, FTTX deployments, and various communication.



Congo MGTSV Optical Cable



AGL moves 2Africa fibre optic cables in DRC, Congo

AGL moves 2Africa fibre optic cables in DRC, Congo Implemented by an association of technology companies led by Meta (formerly Facebook), the

Flame Retardant Communication Optical Fiber Mgxtsv

MGTSV MGXTSV Cable Application
Communication Type Multi-mode Fiber
Connection Structure Fiber Optic Cable Material
Shape Round Wire Allowed



WebiTelecomms Cabling

MGTSV Flame-Retardant Mining Fiber Optic Cable G.652D Steel

Product Description The MGTSV mining optical cable is a specialized fiber optic cable designed for the coal industry and other mining applications, including gold and iron mines. This cable combines

MGTSV Mining Underground Special Optical Fiber Cable, Flame

MGTSV Mining Underground Special Optical Fiber Cable, Flame-Retardant Armored, Single & Multi Mode



Multi Loose Tube Miner Optical Fiber Cable (MGTSV)

MGTSV fiber optic cable, the fibers, 200um or 250um, are positioned in a loose tube made of a high modulus plastic. The tubes are filled with a water-resistant filling



mining fiber optic cable MGTSV

In the standard flame-resistant optical fiber cable for mine use, the fibers are positioned in a loose tube made of high modulus plastic.



MGTSV Mining use Fiber Optic Cable

Characteristics: MGTSV is suitable for coal, gold, iron ore and other mines. It has the flame retardant, rodent resistance property, so it is a good choice for mines. Especially for the accident-prone land

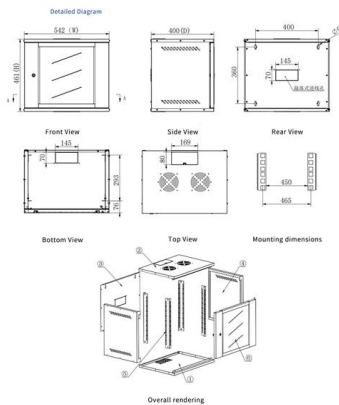


Stranded Loose Tube Armored Mining



Optical Fiber Cable (MGTSV)

MGTSV fiber optic cable, the fibers, 200um or 250um, are positioned in a loose tube made of a high modulus plastic. The tubes are filled with a water-resistant filling compound. A steel wire locates in



MGTSV MGTS Fiber Optical Cable

MGTS cable, the fibers, 250um, are positioned in a loose tube made of a high modulus plastic. The tubes are filled with a water-resistant filling compound. A steel wire, sometimes sheathed with polyethylene

MGTSV Mining Fiber Optic Cable 2-24 Fibers Single Mode Flame

Mining cable MGTSV not only inherited all the performance of optical fiber and cable, but also because of the special requirements of the coal industry and added many special properties, the main



144 Fibers Multi-mode Miner Optical Fiber Outdoor Cable MGTSV

Description 144 Fibers Multi-mode Miner Optical Fiber Outdoor Cable MGTSV Structure of typical mine flame-retardant integrated optic cable is to put single mode or multi mode fiber into loose tube which



Outdoor Fiber Optical Cable, Coal Mine Fiber Optic

MGTSV fiber optic cable is a type of outdoor cable designed for use in harsh environments. The cable is typically used for long-distance



- ✓ Panda PM Fiber Armored Patch Cord 3.0mm
- ✓ ED-500B/250B
- ✓ Own factory.MQ 1 piece

Flame retardant optical cable (MGTSV steel wire) for coal mines

1. Fiber optic
2. Fiber paste: water-resistant compound
3. Loose tube: thermoplastic material
4. Central reinforcement: phosphated steel wire, high core fiber optic cable, extruded polyethylene.
5. Water



Mine cable MGTSV knowledge

Since the country has not issued corresponding standards for gold mines and iron mines, the overall performance of mining optical cables is the standard for mining, and the industry requirements are



MGTSV Outdoor Coal Mine Armored Optical Fiber Cable Single-mode

MGTSV Outdoor Coal Mine Armored Optical Fiber Cable Single-mode Flame Retardant 12-core 24-core 48-core 2km Length 1km



Mgtsv Single Mode Explosion-Proof Flame Retardant Underground

Mining optical cable MGTSV not only inherits the full performance of optical fiber cable, but also adds many special properties because of the special requirements of the coal industry, the main added



Mgtsv flame-retardant communication optical cable for mining

Product Presentation: The structure of the standard mine flame-retardant integrated optical cable (MGTSV) is to insert single-mode or multi-mode optical fibers into a loose tube made of high

Tanzania to Connect DR Congo to its Fiber Optic

Tanzania's Prime Minister, Kassim Majaliwa, informed parliament on Wednesday, April 9, 2025, that the country is in the implementation stage of a



Mine Use Layer Stranded Mgtsv Flame Retardant Mining Fiber Optical

We continuously invest in advanced production facilities and testing equipment, featuring an advanced mechanical testing lab for cables to ensure the delivery of high-quality products.

DR Congo: Two Chinese Companies



Positioned to Build

Genew Technologies and Zhongshi Wosen, both Chinese companies, will help the Democratic Republic of Congo (DRC) build its fiber optic network.



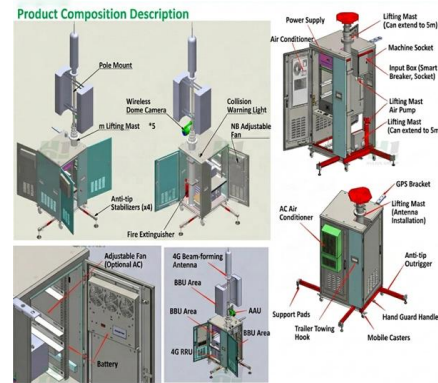
Mgtsv 24 Core Single Mode Mining Fiber Optic Cable

25 years' Guarantee for fiber optic cable 5. Do you have certificate for raw material? We build long-term relationship cooperation with qualified ISO9001, ROHS raw material suppliers. 6. What is your



Single Armored Loose Tube Mining Fiber Optic Cable , FS

Single-armored Loose Tube Mining Fiber Optical Cable With good flame retardant and rodent resistance property, MGTSV mining cable is used in coal, gold, iron ore and other mine, especially for the



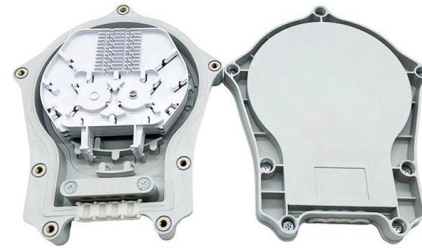
Mgtsv Mine-Use Optical Cable

MGTSV mine-use optical cable is a flame retardant communication cable used in coal mining industry. Characteristics Flame retardant characteristics: mine-use optical cable must have flame retardant



MGTSV OPTICAL FIBER CABLE,OPGW,ADSS,FTTH

Professional fiber optic cable manufacturer supplying GYTA, GYTS, ADSS, armored cables. Wholesale & OEM service with factory price for global clients.



Flame Retardant Communication Optical Fiber Mgxtsv

The company offers ADSS cable, OPGW cable, Figure-8 fiber cable, Air-blowing fiber cable, FTTH drop cable, Underwater fiber cable and all installation accessories.



High quality Coal mines communication optical cable MGTSV-Cytech

The MGTSV coal mine communication optical cable is in the coal mining industry, with special properties such as flame retardancy and rodent resistance.



MGTSV Mining use Fiber Optic Cable

MGTSV is suitable for coal, gold, iron ore and other mines. It has the flame retardant, rodent resistance property, so it is a good choice for mines. Especially for the accident-prone land mines, to ensure

Single Armored Loose Tube Mining Fiber



Optic Cable , FS

With good flame retardant and rodent resistance property, MGTSV mining cable is used in coal, gold, iron ore and other mine, especially for the accident-prone land mines. It is a good choice to ensure



MGTSV cable

SHENZHEN OTOP TECHNOLOGY Co., LTD. was Established in 2016, Mainly Produce Fiber Calbe, Lan Cable.



MGTSV Loose layer stranded optical cable for mine

MGTSV optical cable adopts loose-jacketed stranded structure, and the optical fiber is sheathed in a loose tube made of high-modulus polyester material. The loose tube is filled with waterproof



Contact Us

For datasheets, pricing, or custom high-speed optical interconnect solutions, please visit:
<https://www.syropy.com.pl>