

Concealed Main Distribution Box





Concealed Main Distribution Box

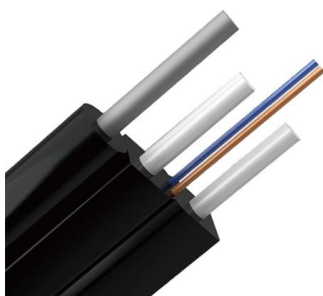


The installation requirements for the distribution box

Learn how to install a distribution box safely and correctly. Covers wiring, placement, standards, and expert tips for a compliant setup.

DISTRIBUTION BOX CONCEALED 18*24

DISTRIBUTION BOX CONCEALED 18*24 Rs 6,400
DISTRIBUTION BOX CONCEALED 18*24 Add to cart Buy now Order via WhatsApp



Distribution enclosures » all types & all information

Enclosures & Distribution Boards Products in our Online Shop Schrack Technik offers an integrated range of enclosures, housings and equipment bodies: from

Concealed Mounted Tsm Distribution Box

Concealed Mounted Tsm Distribution Box, Find Details and Price



Laser-Cut Stainless Steel Wall-Mounted Concealed Distribution Box

Crafted from high-quality stainless steel and finished with precision laser-cutting technology, this distribution box is not only durable but also visually sleek, making it suitable for modern homes, office



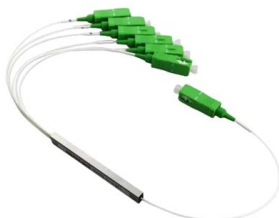
The Ultimate Guide to Distribution Box Types

Discover the key types of distribution boxes with NUOMAK's comprehensive guide. Learn about Main Distribution Boards (MDB), Consumer Units, Transfer



What is Distribution Boards and Its Types

Placement Distribution boards are big and clunky. This means that most people prefer placing them in concealed spaces. You can place your



What is the Internal Structure of The



Distribution Box

There are two main ways to install a distribution box: Open installation means the box is mounted directly on the surface of a wall, making it

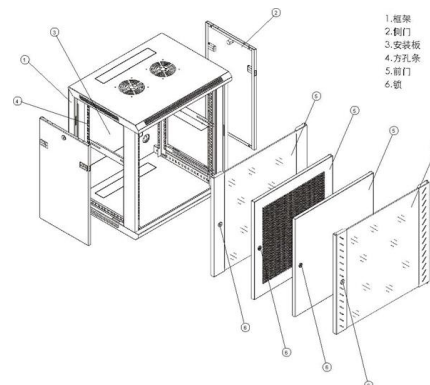


Distribution Box Concealed - Flush-Mount Electrical DB

Engineered for modern electrical and solar installations, the Concealed Distribution Box 10x14 provides a reliable, sleek solution for safe circuit management. Ideal

[HDB DB Box Design] 7 Creative Ways to Conceal Your DB Box

INTRODUCTION A DB box or distribution board is an essential element to have in a home. It is considered part of your



Schneider Electric Tianlang Series Concealed 12-Bit Distribution Box

This sleek, concealed box features a white door for a modern, minimalistic appearance and provides secure and organized management for your electrical circuits. The TLA12B is perfect for applications

Distribution Boxes Types - The Complete Guide



The power distribution boxes deliver electricity from the main electrical main to other circuits. Several distribution boxes are designed for specific use in



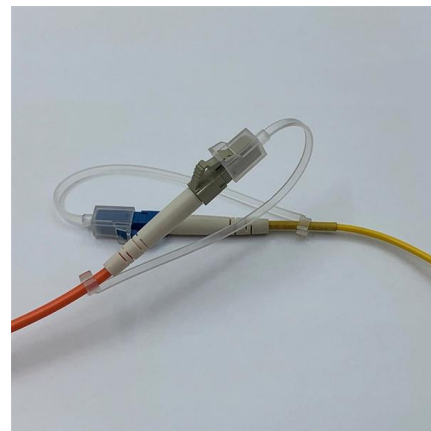
Concealed Mounted Tsm Distribution Box

Concealed Mounted Tsm Distribution Box, Find Details and Price about Distribution Box Junction Box from Concealed Mounted Tsm Distribution



Distribution Boards

Kabeldon distribution boards are specifically designed for outdoor installations and they come as pre-assembled systems, ready to install. They combine the advantages of the flexible IP-system with



Distribution Box Guide: Types, Components & Solutions

Understand distribution boxes (DB boxes) in 5 minutes. Learn about types, components, functions, and uses. Find the perfect DB box for your needs.



Power Distribution Boxes Explained Simply

Learn what a power distribution box is, how it works, key components, types, and why it's vital for safe and efficient electrical systems.



Distribution Box: Types and Functions , Axis-Electricals

A distribution box ensures that electrical supply is distributed in the building, also known as a distribution board, panel board, breaker panel, or electric panel.

Concealed-Mounted Home Distribution Box - LIANXINDA TRADE

Optimized for hidden installation behind walls or ceilings, ensuring clean interiors while maintaining reliable power distribution.



Power Distribution Box Concealed Mounted

Power Distribution Box Concealed Mounted Description: Power Distribution Box Concealed Mounted is suitable for distribution control of modern buildings, such



40 CDI Range Flush-mounting distribution boards and enclosures

The widest offer of flush-mounting distribution boards and enclosures currently available on the market. Seven families designed to offer advanced solutions in the residential and commercial sector, also

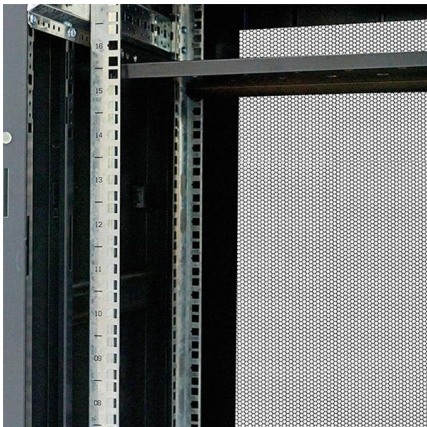


18 Way Plastic Consumer Unit Flush Mount MCB Box

When the bottom box is embedded with concrete and poured on site, the bottom box needs to be supported up and down, left and right to prevent the bottom box from

12 Way Power Distribution Box DIN Rail Electrical Concealed

MAIN PURPOSE: 12 way circuit breaker box, mainly used to provide safety for your wall circuit, which is stable and EASY TO INSTALL: The distribution box with DIN rail, concealed mounting design, fast



Concealed Distribution Box: Secure & Customizable

Find reliable concealed distribution boxes with IP65 waterproofing, customizable sizes, and certified suppliers. Click to explore top-rated options for secure electrical installations.



NDP3A Series Distribution Box , Quisure Circuit Breaker

Nader NDP3A concealed distribution box series is applicable to indoor AC 50Hz or 60Hz, rated working voltage up to 440V, generally not



8 Creative Way To Conceal Your Electric Panel Box In

8 Creative Way To Conceal Your Electric Panel Box In Your Home The distribution board (DB) box may have the most important part for our housing

China Customized Concealed Distribution Box Suppliers

We warmly welcome you to buy or wholesale bulk concealed distribution box made in China from our factory.



Contact Us

For datasheets, pricing, or custom high-speed optical interconnect solutions, please visit:

<https://www.syropy.com.pl>