

Compatible 25G laser diode supplier in the Bahamas





Compatible 25G laser diode supplier in the Bahamas

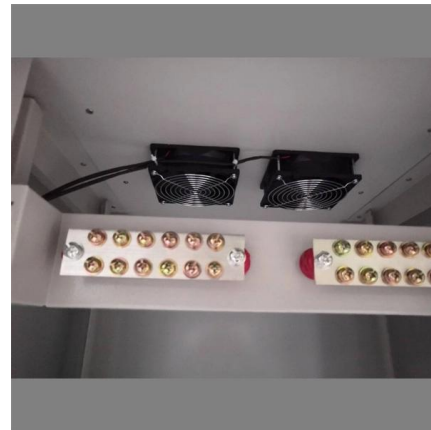


Laser Diode Drivers

Laser diode drivers supply electronic current to laser diodes, with different requirements based on application and power level.

25G Distributed Feedback Lasers

MACOM's Distributed Feedback (DFB) laser diodes are designed for direct modulation uncooled operation up to 25Gb/s. These products utilize patented Etched Facet Technology (EFT) for wafer



25 W - Shop Laser Diodes from Top Brands

View SKU: High Power 1550nm Laser Diode, 25 Watts CW Output Power, Multimode Fiber-Coupled Package 1550nm, 25W, 105um fiber-coupled Fabry



Top 25G DFB Laser Diode Chip Companies & How to Compare Them

Lumentum's collaboration with major telecom providers resulted in successful field trials of 25G DFB laser modules with minimal error rates.



OEM SFP Modules Explained: Compatibility, Cost and Use Cases

Understand OEM SFP modules, pricing, compatibility, lifespan, and differences vs third-party optics. Learn what engineers actually use in networks.



Leading Laser Diode Manufacturer , Custom Solutions & Global Suppliers

Discover premium laser diode manufacturers offering 650nm-1064nm wavelengths for medical, industrial, and beauty applications. Need reliable OEM partners? Click to verify certified



Laser Diodes - Mouser

Mouser is an authorized distributor for many laser diode manufacturers including ams Osram, KYOCERA AVX, ROHM Semiconductor & more. Please view our large selection of laser diodes below.



25G DFB Laser Diode Chip Market Research - PW Consulting

25G DFB Laser Diode Chip Industrial Chain Analysis (Upstream, Midstream, and Downstream) Upstream in the 25G DFB Laser Diode Chip industrial chain, the key players are the manufacturers

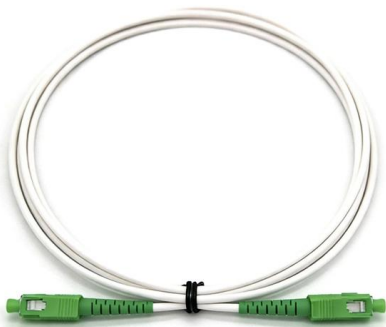


Laser Diode Selector

The laser diode selector allows you to specify the wavelength, power and package and download datasheets for a wide range of high quality laser diodes.

Laser Diodes , Components to Systems , UV-LWIR

Component FAQs Can I operate multiple laser diodes from the same power supply? Can laser diodes emit green, blue, or UV light? How long will a laser diode last?



Diode Hair Removal Treatment In Bahamas , Diode Laser Hair Removal

As one of the best Diode Hair Removal Suppliers in Bahamas, we promise you of the quality and follow necessary packing standards to deliver the product to your doorways in safe and sound condition.



Class: 4 , Laser Pointer Safety

A 50-year-old doctor regularly aims a powerful laser pointer at Mars in an effort to slightly warm the atmosphere. This would allow him to claim that he has "improved" the Martian climate, which in turn



25G DFB Laser Diode Chips

GLSUN designs and manufacturer 25Gbps distributed feedback (DFB) laser diode chips which can use in 5G and datacenter applications.

MAOD-1xD25G-LCT2

The MAOD-1xD25G-LCT2 Series products are directly modulated 25Gbps CWDM distributed feedback (DFB) laser diode chips. These products utilize a patented Etched Facet Technology enabling high



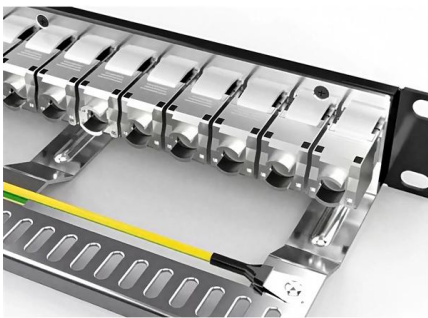
25G DFB Laser Diode TO-CAN (Cooled)

25G DFB Laser Diode TO-CAN (Cooled)(id:11861413), View quality Laser diode, DFB Laser diode, 25G Laser diode details from Optomarine storefront on



All Laser Diode Wavelengths & Brands, One Site, Comparison

Are we missing a supplier? Please let us know.



Top 25G DFB Laser Diode Chip Companies & How to Compare Them

The 25G DFB Laser Diode Chip landscape is rapidly evolving, driven by the demand for faster, more reliable optical communication. As telecom and data center needs grow, so does the

Laser Diodes , Components to Systems , UV-LWIR

With 1000s of fielded units, and over 25 years of experience, providing OEMs, contract manufacturers, and researchers with the best laser solution for their



All the Top Laser Diode Brands & Wavelengths (SHOP)

LASER DIODE SOURCE , Wavelengths 370nm to 15,000nm, Shop ALL THE LEADING LASER DIODE BRANDS, Selection Guide & Online Shop



Laser Diode Search Engine

Here you will quickly and easily locate a laser diode to meet your specifications. Enter the desired parameters and you will immediately receive an overview of



Laser Diode Manufacturers & Suppliers , ProPhotonix

High quality laser diode manufacturers including brands like Osram, Ushio, QSI and Ondax. Click to discover more.

Laser Diode Manufacturers

A Laser Diode is a type of semiconductor device that produces coherent light through the process of stimulated emission. The leading manufacturers of Laser Diodes are listed below. Narrow down on



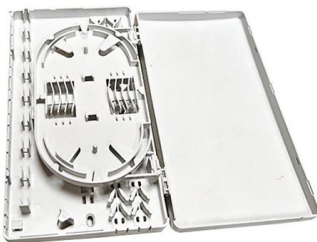
Laser Diode Drivers (Multiple Top Brands)

Laser diode drivers and current sources are specifically designed to provide stable, transient-free power to semiconductor lasers. To get a better understanding of the basic technical fundamentals and how



25G DFB Laser Diode Chip

GLSUN 25G 1270nm, 1290nm, 1310nm, 1330nm Distributed Feedback (DFB) laser diode chips are designed for Telcordia GR-468 and packaged in single mode/multimode for data centers and 5G

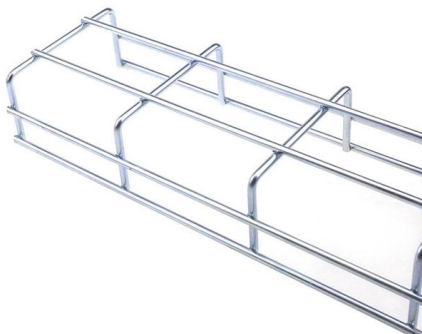


Diode laser module

An Endurance diode lasers. Endurance makes and delivers diode laser. All power output: 2.1 watt (2100 mW) up to 20 watt (20000 mW).

25G Distributed Feedback Lasers

Products are RoHS compliant, designed for Telcordia GR-468 and available either as tested dies on blue tape or packaged TO-56 can. MACOM serves customers with a broad product portfolio that



tunable-diode-lasers Companies and Suppliers serving Bahamas

List of tunable-diode-lasers companies, manufacturers and suppliers serving Bahamas



Laser Diode Search Engine

Enter the desired parameters and you will immediately receive an overview of compatible laser diodes from our extensive range of standard products. If you do not find a suitable product, contact us directly.



Laser Diodes - Buying Guide & Supplier List , RP Photonics

This laser diodes buying guide provides technical background, comparison of major types, selection criteria, and an overview of suppliers.



Top Laser Diode Manufacturers , Verified Global Suppliers Directory

Need reliable laser diode manufacturers? Discover certified suppliers offering high-power diodes for medical, industrial, and beauty applications. Compare specifications and request quotes



Contact Us

For datasheets, pricing, or custom high-speed optical interconnect solutions, please visit:
<https://www.syropy.com.pl>