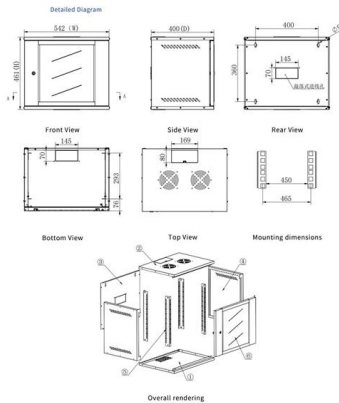


Comparison of LC adapter s low noise and vs copper cable performance





Comparison of LC adapter s low noise and vs copper cable performa



Comparing Fiber Optic Cables to Copper Cables in Data Center Connectivity

To make an informed decision about which cable type is best for your data center, it's essential to compare fiber optic and



Fiber Connectors

That being said, it is possible to order 'low loss' MTP/MPO connectors which have comparable insertion loss performances. These are more costly, however.

Microsoft Word

I. INTRODUCTION O SCILLATORS are one of the most common functional blocks in communication systems. Integrated LC Voltage Controlled Oscillators (VCOs) are used as an input for mixers to up-



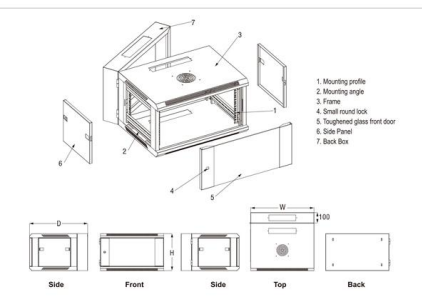
LC Adapters and Cable Assemblies

LC Adapters and Cable Assemblies meet the growing demand for small form factor, high-density fiber optic connectivity with simplex, duplex, single-mode and multimode options.



LC Fiber Optics: Complete Guide 2026 to Patch Cables,

This guide provides a fully updated and industry-ready overview of LC fiber optics, explaining the origin and design of LC connectors, their key features,



SC vs. LC vs. MPO: Performance Comparison of

Fiber optic connectors are the backbone of high-speed data transmission, but choosing the right interface--SC, LC, or MPO--can make or



A Fiber Optic Connector Primer

In this issue, we will look at the Subscriber Connector - SC, Straight Tip- ST, Fixed Connection - FC, and Lucent - LC fiber connectors, their application,





How do I differentiate between Noctua low noise adapters?

Noise adapters are just resistors - to reduce fan speed. You can also turn down fan speed by connecting the fans to your motherboard cpu and case fan headers and using the motherboard

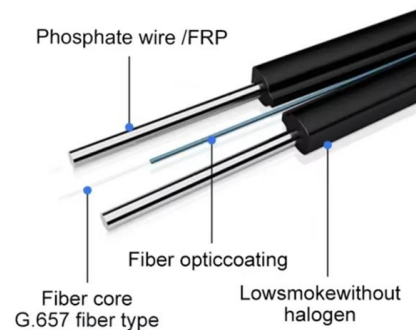


USB-C vs. Lightning: Key Differences Explained

USB-C vs. Lightning: Exploring the Differences in Charging and Compatibility Understand the advantages of USB-C over Lightning cables, from

LC Optical Port vs. RJ45 Port

The LC optical port is capable of transmitting data over longer distances compared to the RJ45 port. Fiber optic cables used with the LC port can transmit data over hundreds of meters without any



SC vs LC fiber Optic Connectors: How To Choose?

In the high-stakes world of fiber optic networking, where every decibel of loss, every millisecond of latency, and every port of density directly impacts



Passive Filter Design Concept of Buck Regulators for Ultra-Low Noise

Passive Filter Design Concept of Buck Regulators for Ultra-Low Noise Applications Switched-mode power supplies (SMPS) have the advantage of high efficiency compared to traditional low-dropout



Copper vs Aluminum Cable Comparison , Performance, Cost

Compare copper and aluminum cables in conductivity, mechanical strength, thermal performance, corrosion resistance, and cost to choose the right conductor material.

LC Connectors vs SC Connectors: A Complete Guide to

LC Connectors vs SC Connectors: Key Differences, Principles, and How to Choose By fiberlife. Posted on November 20, 2024 Fiber optic cables



Fiber Media Converter Connector Types and Buying Tips

Explore fiber media converter connector types like SC, ST, and LC. Understand their differences, uses, and how to choose the right connector for your network.



Understanding LC to LC: The Ultimate Guide to Fiber

Fiber optic patch cables are essential parts within the sphere of highly speedy transfer and networking. More specifically, the term LC to LC refers to



Fiber Optic LC connector Definition and Types & User

The main LC connector types include LC/UPC and LC/APC, available in simplex or duplex formats. LC/UPC provides a flat polish for digital and data

Say No to Copper Clad Aluminum! The Truth Every Low

Electricians must refuse CCA and instead use tinned copper or pure copper cables to ensure stable system performance, reduce costly rework, and eliminate safety



LC Fiber Connector Guide for Fiber Optic Networks

Fiber LC connectors support higher data rates and are favored for scalable networks, whereas SC fiber connectors provide reliable performance across various



Fiber Optic Cables vs. Copper Cables: Working

This article will compare fiber optic and copper cables in terms of performance, durability, security, cost, and typical uses. Understanding these



Fiber Optic Connectors Explained: LC, SC, and ST

This in-depth guide explores the key differences between LC, SC, and ST connectors, how they work, and where they are most deployed, helping

LC-LC Fiber Optic Connectors: A Complete Guide with

LC-LC fiber optic connectors explained: features, benefits, comparisons, installation tips, FAQs and guidance on selecting the best cable for your network



LC Fiber Optics: The Ultimate Guide to High-Density, High

This guide explores the entire LC fiber ecosystem, from connectors and patch cables to adapters, patch panels, attenuators, and advanced interfaced products. We will provide practical



Aluminium Vs Copper: Best Cable For Your



Electrical

Aluminium or copper cable? Learn which suits your electrical project best by comparing performance, cost, safety, and installation needs. Contact us today!

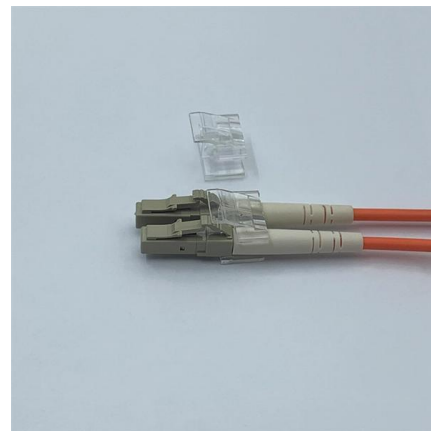


Aluminum vs. Copper Cable Conductors: Which to Use

Selecting the appropriate conductor material for electrical cables--aluminum or copper--is a critical decision in power distribution,

Fibre Optic vs Copper: Choosing the Right Cable for

Comparing fibre optic vs copper cables for your network? Learn about bandwidth, reliability, and cost to choose the right cable for your business.



LC vs. SC Connectors: Choosing the Right Fiber Adapter for Your

Confused between LC and SC connectors? Understand the differences and select the ideal fiber adapter for your network. Explore Metal Hybrid Simplex Singlemode/Multimode options.



Comparing Common Noise Filters: LC Filters vs. RC Filters vs. Active

1. Frequency Range and Performance: - LC filters excel in high-frequency applications with minimal signal loss. - RC filters are adequate for low-frequency noise suppression but can suffer



Contact Us

For datasheets, pricing, or custom high-speed optical interconnect solutions, please visit:
<https://www.syropy.com.pl>