

Colored Aluminum Alloy Distribution Box





Colored Aluminum Alloy Distribution Box



SP-AG IP65 Metal Aluminum Alloy Electrical Junction Boxes

Aluminium alloy die-casting forming, high temperature resistant, Corrosion-Proof, can be used in harsh environments. Surface Treatment: Frosting (light gray), smooth (steel grey).



SAIPWELL 250x120x82mm IP66 NEMA 4 Aluminum Alloy Waterproof

Shanghai Saipwell Electric Co., Ltd. specializes in waterproof boxes, PTC heaters, and thermostats, with strong technical capabilities and well-equipped testing facilities. The company operates globally,

"Aluminum Enclosure Box"

Design engineers or buyers might want to check out various Aluminum Enclosure Box factory & manufacturers, who offer lots of related choices such as distribution box, electrical box and metal box.



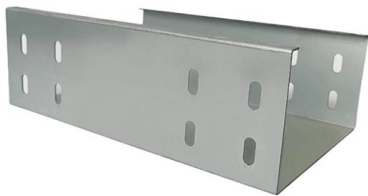
Aluminium Extruded Case, Aluminium Electrical Box, die

Wholesale IP rated aluminium extruded case and aluminium electrical box in a wide selection of sizes & styles. Get superior protection from atmospheric & marine



Premium Aluminium Boxes & Custom Solutions , Alu

Bespoke aluminium solutions for the defence industry, logistics and a lot more. Tailored for various sectors, our range includes robust aluboxes, alu cases, and



Aluminium Extruded Case,Aluminium Electrical Box,die

83*120*155mm Oem Split Body Extruded Aluminum Project Enclosure Aluminum Instrument Box 6063 Black Metal Project Box aluminum alloy



55x106x200mm Enclosure Electronic DIY Circuit Board

Product description 55x106x200mm Enclosure Electronic DIY Circuit Board Project Aluminum Box Cooling Case Aluminum Alloy Box Split Type Electrical Boxes





"Aluminum Distribution Box"

The Aluminum Distribution Box is a standout piece in our Power Distribution Cabinet & Box collection. Yes, factory custom power distribution cabinet & box services allow full OEM branding,

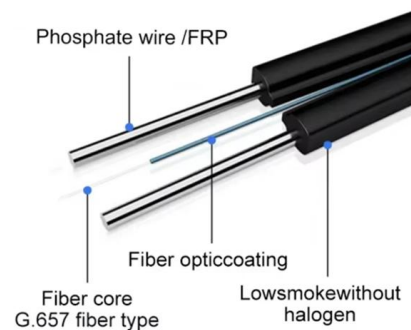


Aluminum Alloy Distribution Boxes for Reliable Power Control

Aluminum alloy distribution boxes are essential components in modern electrical infrastructure, designed to manage and distribute electricity safely and efficiently within various settings.

Aluminum Alloy Enclosures, Boxes, & Cases - Mouser

Aluminum Alloy Enclosures, Boxes, & Cases are available at Mouser Electronics. Mouser offers inventory, pricing, & datasheets for Aluminum Alloy Enclosures, Boxes, & Cases.



Painted Aluminum Sheets & Coil , 40+ Colors in Stock

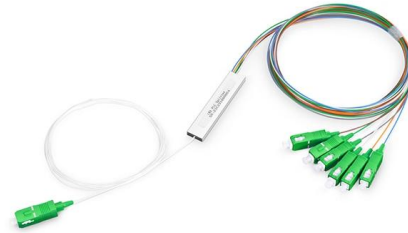
High-quality painted aluminum for truck trailers, signage, and lighting. Choose from 35+ stock colors or custom Galvalume and cold-rolled options.

Industrial distribution and automation



boards and modular boxes

Universal aluminium alloy boxes are available for aggressive atmospheres. The Palazzoli distribution boards have an IP66 degree of protection and are certified by 100 liters per minute water jet test.

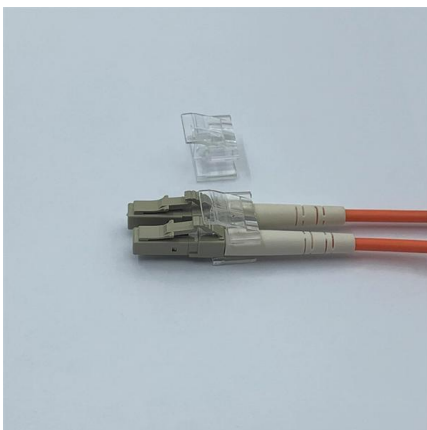


Aluminum Boxes, Cases & Enclosures , Polycase

Shop a wide selection of aluminum boxes and cases for electronics and electrical applications. From potting to junction boxes, Polycase has you covered!

Colored Aluminum - Midwest Sheet Metal

Colored Aluminum See color chart below - colors are representative only. We can custom order any color or thickness sheet that we don't carry in stock.



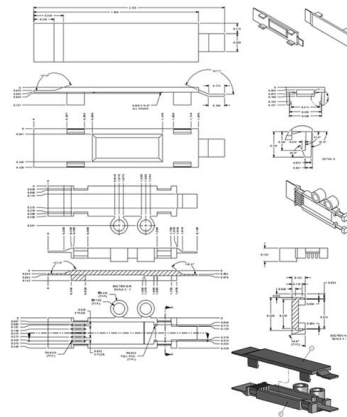
DJC Supply Die Cast Aluminum Alloy IP66 Waterproof Junction

Die Cast Aluminum Alloy IP66 Waterproof Junction, Instrument, Distribution Box, Surface Treated for Harsh Weather & Conditions. (7.5"x6.5"x3.1, 1 Pack)



Painted Aluminum Sheets , 3105

Aluminum alloy 3105 painted sheet metal is lightweight, corrosion-resistant, and provides excellent welding characteristics for many unique applications.



1.An Ultimate Guide for Metal Distribution Boxes

1) Metal Distribution Boxes Constructed from steel, aluminum, or cast iron, metal distribution boxes are highly durable and resistant to mechanical damage. Ideal

Boxes , ZARGES

The transport and storage boxes excel in terms of their protective features and durability. They are also sturdy, weather-resistant, rust-proof, stackable, easy to clean, hygienic and very lightweight



Colored Powder Coating Aluminum Box, Cases and Container

Whatever individual color you need, we can reach your special requirements. These colorful coating boxes will enhance visual appeal and more diversifications for choice.



IP65 DIECAST ALUMINIUM BOX

IP65 protection class and impact resistant diecast aluminium box. A large selection of 35 different sizes to choose from. Diecast aluminium box has superior heat dissipation, heat resistance, and oil



Powder-Coated Steel Distribution Box

Our powder-coated steel distribution box is designed to offer a rugged, reliable, and affordable solution for indoor electrical distribution systems. Constructed from

Electric Box for Electrical Boards Ral 7032 Color/Metal

We are a professional committed to production, research and development, and sale of wall-mounted sheet steel electric enclosures, non-standard irons, stainless



In Stock Aluminium Distribution Box 4k+ , Alibaba

An aluminium distribution box is a critical component in electrical systems used in residential, commercial, and industrial environments. These enclosures house circuit breakers, fuses, switches,

Light Aluminum Alloy Distribution Box

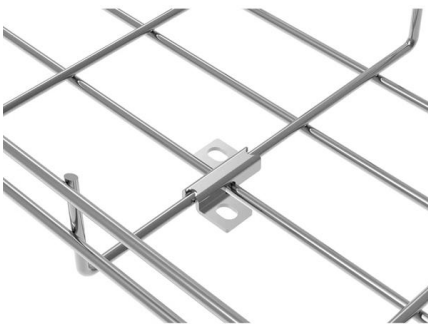


As one of the China Light Aluminum Alloy Distribution Box manufacturers and suppliers, Ruidafeng has a high-quality work team. If you are interested in our



Aluminium Enclosures

ROSE Aluminium Enclosures enable electrical and electronic equipment to continue working reliably for years and years under adverse ambient conditions. The



In Stock Aluminium Distribution Box 4k+ , Alibaba

Thanks to aluminium's lightweight, corrosion-resistant, and conductive properties, these boxes are preferred for durability and performance in diverse conditions. Distribution boxes vary based on



"Aluminum Enclosure Box"

The Aluminum Enclosure Box is a top choice in our Power Distribution Cabinet & Box collection. Power distribution cabinet & box price varies by specs, OEM requirements, and factory volume. For





Contact Us

For datasheets, pricing, or custom high-speed optical interconnect solutions, please visit:

<https://www.syropy.com.pl>