

Circuit number and distribution box connection





Circuit number and distribution box connection



Home Distribution Box (DB) Wiring Diagram , DB box connection

In this video, I'll show you the complete wiring diagram of a home distribution board (DB). You'll learn how to connect the main circuit breaker (MCB), resid

How to wire a DB - Distribution Board Wiring -

Distribution Board or DB is an electricity supply system or a common enclosure that distributes the electrical power feed into subcircuits. It includes



How to Wire a Home Distribution Box

In this video, we'll walk you through the process of wiring a home distribution box with a detailed connection diagram. Whether you're an electrician or a DIY

on video How to Wire a Home Distribution Box

How to Wire a Home Distribution Box - Step-by-Step , Distribution DB box wiring diagram
Welcome to our channel! In this video, we'll walk you through the



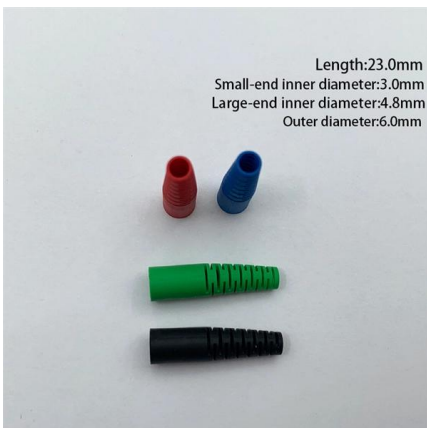
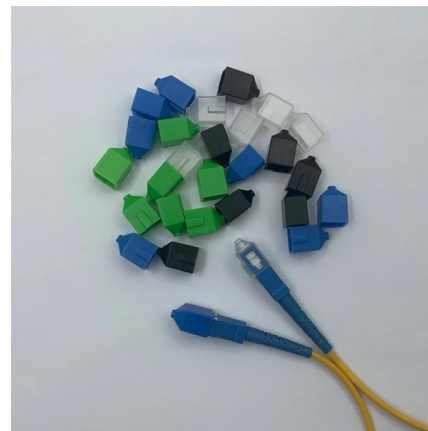
Home Distribution DB Box Wiring Connection Diagram

Welcome to our channel ?@Electricalgenius? In this video, we'll take you through a detailed step-by-step guide on wiring a home distribution DB (Distribution Board) box.



How To Wire A Distribution Board (DB Board): A Step-By-Step Guide

A distribution board (DB board), also known as a fuse box or breaker panel, is essential for managing electrical circuits in a building. It distributes electrical power from the main supply to



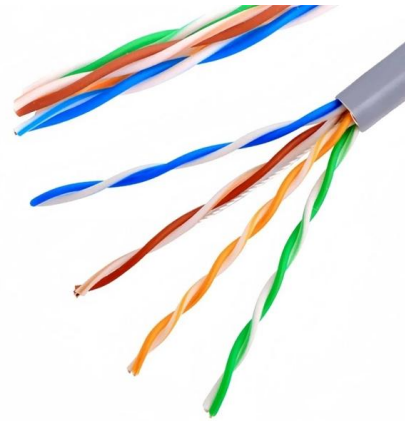
A step-by-step guide to wiring your breaker box

Electrical Panels: The diagram will show the number and arrangement of electrical panels within the breaker box. These panels house the various breakers and



Understanding Distribution Boxes: Your Guide to Power

What are Distribution Boxes and Their Importance? What are Distribution Boxes and Their Importance? Distribution boxes, or electrical junction



How to Wire Single-Phase Consumer Unit with RCD?

In this tutorial, we will be showing how to wire a single phase consumer unit for 230V with and without RCD's according to IEC. We will be using the IEC wiring color

A Step-by-Step Guide to Wiring an Electrical Panel Box

Find out how to properly wire an electrical panel box with a comprehensive diagram and step-by-step instructions.



3 Phase Distribution Board Layout and Wiring Diagram /

As shown in the fig, the three phase, 400V (Three Lines + Neutral) service cable (from the secondary of Star or Y connected transformer (fed up by



Single Phase Distribution Box (DB) Wiring Diagram and

Hey, in this article we are going to see the Single Phase Distribution Box Wiring Diagram and Connection Procedure. A distribution board or

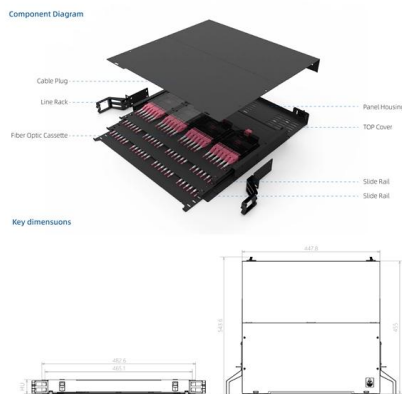


Understanding Circuit Breaker Wiring Configurations in

Correct wiring methods for circuit breakers within distribution boxes are fundamental to ensuring electrical safety and compliance with established codes.

Distribution (DB) box wiring / Circuit Diagram / DB Box connection

The main supply cable comes into the board and is then distributed to the breakers and from there to all the circuits lights fan plugs etc. various sizes of distribution boards are available.



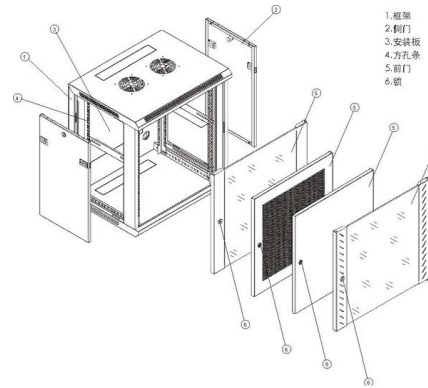
complete distribution db box connection

The main supply cable comes into the board and is then distributed to the breakers and from there to all the circuits lights fan plugs etc. various sizes of distribution boards are available.



How to Wire MCCB Panel , Electrical Distribution Board Connection

MCCB Distribution Panel Wiring , Main Electrical Connection Explained ? In this video, learn the complete MCCB (Moulded Case Circuit Breaker) distribution panel wiring.



The Complete Guide to Distribution Box: Installation, Types & More

Busbars are metal strips or bars that distribute electrical power throughout the distribution box. They carry current from the main switch to individual circuit breakers, providing a reliable

Distribution Board Wiring Guide , Consumer Unit Layout

Circuit chart (Regulation 514.9.1) -- a durable chart or table must be provided at or near the distribution board. It must identify each circuit by number, describe the area or function served,



Step-by-Step Guide to Wiring a 3 Phase DB Box

Learn about the wiring process for a 3 phase distribution board (DB) box, including the necessary steps and safety precautions. Understand how to connect the

DIY Wiring a Consumer Unit and Installation

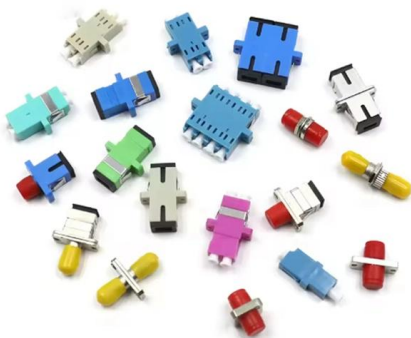


Here we are considering a Distribution Board with MCBs [Miniature Circuit Breakers] for power distribution. Installation work described here is according to British



Distribution Box: Types and Functions , Axis-Electricals

A distribution box houses all the contact breakers, earth leakage units, doorbells, and timers. The electrical power supply comes from the network to the building



Distribution box Wiring Connection Diagram , Animated Guide , DB Box

The basics of home electrical distribution systems Key components of a wiring diagram How to safely and efficiently connect circuits Step-by-step animated instructions Whether you're a DIY



Single Phase MCB Distribution DB Wiring Connection Circuit Diagram

Welcome to my channel! In this video, I will walk you through the single-phase MCB distribution board (DB) wiring connection. Whether you're an electrician, a DIY enthusiast, or simply curious



How to Calculate the Size and Number of Circuits for a Distribution

That's what happens when you overload circuits. But with some simple math and planning (don't worry, we'll walk through it!), you can design a system that works smoothly even when you're running all the



DIY Wiring a Consumer Unit and Installation

/ Consumer Unit Background Wiring a Distribution Board is vital in any electrical installation. All the electrical sub circuits are originated from a Distribution

Contact Us

For datasheets, pricing, or custom high-speed optical interconnect solutions, please visit:
<https://www.syropy.com.pl>