

# Case Study of High-Voltage Complete Equipment Construction in Qatar Data Center





## Case Study of High-Voltage Complete Equipment Construction in Qatar

---

### EPIC - Voltage Engineering

VOLTAGE ENGINEERING LIMITED LIST OF CONSTRUCTION OF POWER STATIONS, TRANSMISSION AND DISTRIBUTION LIST OF WORKS EXECUTED FOR PRIMARY



### 15 companies for Modular Data Center Construction in Qatar

Discover all relevant Modular Data Center Construction Companies in Qatar, including Uni Gulf Contracting and Trading and Shelter Group.



### Data Center Electrical Design Overview

This document discusses the power requirements and electrical system design for a data center project. It outlines the power needs in kilovolt-amperes (kVA) across

### Data Center Construction Management Qatar QA

DC Deployed excels in Modular Data Center Construction, offering solutions that are not only cost-effective but also adaptable to the arid climate of Qatar. These modular data centers are designed for



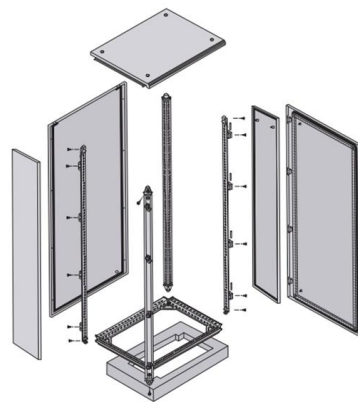
### Top 25 Construction Companies in Qatar

Discover the leading construction companies in Qatar for major infrastructure projects. Find reputable contractors for your next



### MEEZA Deploys 4.9 MW Data Centre Capacity in Qatar

MEEZA's new M-VAULT data centres, offering cloud services to customers in Qatar, the region and the world, were built using Vertiv(TM) Integrated



### Qatar Ongoing Data Center Facility Projects Database

Search all the ongoing (work-in-progress) data center facility projects, bids, RFPs, ICBs, tenders, government contracts, and awards in Qatar with our comprehensive online database.

**ONE OF THE PIONEER EPIC CONTRACTOR IN**



## THE STATE OF QATAR

ABOUT US Voltage Engineering Ltd. Co. WLL is a wholly-owned Qatari Company, incorporated in the year 1979. We engaged in various EPIC projects in the construction fields of Civil, Electrical,

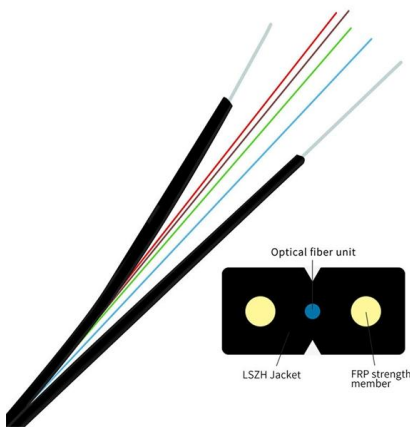


### Data Centre Solutions Services in Qatar

Data Centre Solutions We Provide At Electra, we offer complete solutions for data centres in Qatar, such as structured cabling for active and passive systems,

### Qatar Power Construction WLL

Pumps, pipe works & instrumentation. Power conditioning equipment & DC supply equipment. Complete Electrical & Instrumentation works. Testing & Commissioning QPC established department



### QPMC Data Centre

The architecture and structural elements of the data centre are crafted to meet the highest standards of efficiency, security, and technological advancement, making

**We take pride for our contribution to the industrial and infrastructure**



About Us Voltage Engineering Ltd. is a wholly-owned Qatari Company, incorporated in the year 1979. We engaged in various EPIC projects in the construction fields of Civil, Electrical, Mechanical,



### **Qatar: MEEZA signs over \$27.4mln deal to deliver 1MW data centre**

DOHA: MEEZA QSTP-LLC, Qatar's leading managed IT services and data centers provider, announced an agreement to deliver 1 megawatt capacity in its M-VAULT4 data center to a

### **Home**

TEMCO Electromechanical is a Qatari-owned Company established in 2016, to provide professional support to clients and contractors in the electromechanical



### **Voltage Engineering**

We are engaged in various projects in the fields of Civil, Electrical and Mechanical constructions. For the past 43 years we have the track record of clients'



## Construction - Voltage Engineering

The list below shows the projects carried out by us in the field of construction.

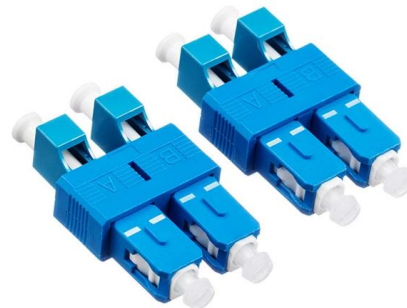


## Data Centers

Binghalib Engineering is offering in-house & on-site testing facilities with our latest, state-of-the-art equipment for Retrofitting and Engineering Studies. We offer total and complete solutions for your

## Voltage Engineering Limited

Voltage Engineering Limited is an ISO 9001:2015, ISO 45001:2018 & ISO 14001:2015 Certified Qatari Company established in 1979. Being one of the best



## Electrical & ELV

Electrical & ELV MAIN & SUBMAIN POWER DISTRIBUTION HV Switch-gears Transformers Emergency Diesel Generators and associated works

## Qatar Electric W.L.L.



" Qatar Electric delivered all high-voltage works for our project with exceptional professionalism. Their team demonstrated deep technical expertise and



### Per diem rates

Per diem rates We establish the per diem rates that federal agencies use to reimburse their employees for lodging and meals and incidental expenses incurred while on official travel within

### Addressing challenges in data-center power delivery with 800V high

Technologies such as gallium nitride (GaN) enable power density and conversion efficiency in these systems. Furthermore, enabling safe operation of 800VDC systems requires high-voltage sensing,



### unsupervised\_topic\_modeling/topics/en/13/100/100/topics

Contribute to annontopicmodel/unsupervised\_topic\_modeling development by creating an account on GitHub.



## Eventbrite

Find tickets to your next unforgettable experience. Browse concerts, workshops, yoga classes, charity events, food and music festivals, and more things to do.



## Engineering Division

Voltage is well known as a pre-qualified contractor for extra-high-, high-, medium-, and low-voltage work for Qatar General Electricity & Water Corporation, Qatar Petroleum, the Qatar Armed Forces, Qatar



## Data Center Construction Management Qatar QA

This includes rigorous Data Center MEP Coordination and comprehensive Data Center Construction Sequencing, tailored to meet the stringent requirements prevalent in Qatar's technology sectors.



## Voltage Engineering

Voltage Engineering is a wholly-owned Qatari Company, incorporated in the year 1979. We are engaged in various projects in the fields of Civil, Electrical and



## Data Center Design and Construction: A Complete Guide

Learn how to design and build a data center with this 8-step guide. Explore key components, best practices & requirements for a secure, scalable facility.



## MEEZA Quickly Scales Data Centre Capacity to Bring Important

The latest MEEZA M-VAULT housed at the Qatar Science & Technology Park (QSTP), specifically, was designed per hyperscale specification and went online in December 2021.

## Contact Us

---

For datasheets, pricing, or custom high-speed optical interconnect solutions, please visit:  
<https://www.syropy.com.pl>