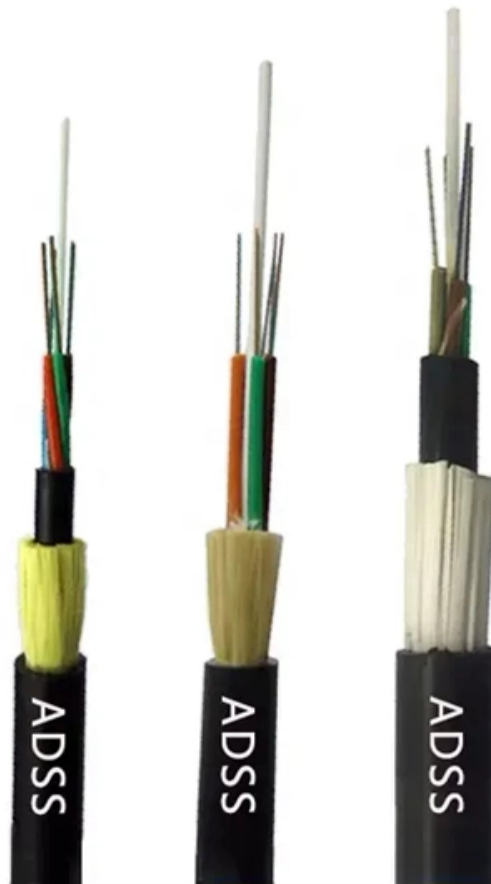


# Card Tail Fiber





## Card Tail Fiber

---



### What is a Fiber Optic Pigtail, and What Is It Used For?

A fiber optic pigtail is a type of fiber optic cable with only one end that has a factory-terminated connector and the other end exposed as bare fiber. A

### National Center for Biotechnology Information

Hier sollte eine Beschreibung angezeigt werden, diese Seite lässt dies jedoch nicht zu.



### Fiber Pigtails

CommScope engineers and manufactures a complete line of high quality fiber pigtails



### Fiber Optic Pigtails: Uses & Differences from Patch Cords

Understand fiber optic pigtails -- definition, types, and how they differ from patch cords. Learn why pigtails ensure reliable, low-loss fiber terminations.



### Microsoft Word

A card tooth may catch a loop of fibre protruding from a tuft (which is restrained on another roller) (Figure 9.16). The fibre can only be released without breaking if either end of the fibre that is



### Fiber Optic Pigtail: What Is It and How to Classify It?

Fiber optic pigtail is a fiber optic cable terminated with fiber optic connectors at only one side of the cable. They come in different types based on



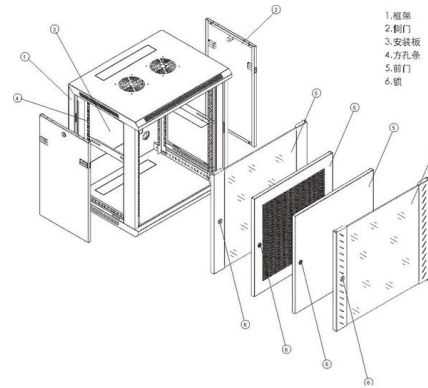
### What is a Fiber Optic Pigtail?

A fiber optic pigtail, also known as a fiber optic cable tail, is a type of fiber optic cable assembly that provides connection between fiber optic



### Fiber Optic Pigtail

Fiber pigtails help organize and simplify cable connections, enhancing network reliability and minimizing clutter. Available with connector types such as LC, SC,



### What is Fiber Pigtail? A Complete Guide for Beginners

A fiber pigtail is a thin multimode or single-mode fiber optic cable with a connector installed on one end. The purpose of the fiber pigtail is to terminate



### Fiber Optic Interconnects, Patch Cords & Pigtails

Fiber Optic Interconnects, Patch Cords & Pigtails  
Not finding what you're looking for?



### Fiber Optic Patch Cords vs Pigtails: Uses & Differences

This guide demystifies fiber optic patch cords and pigtails, exploring their definitions, designs, connector types, and real-world uses. By the end, you'll be equipped to choose the right component for your



### How to choose fiber optic pigtails?



What Are Fiber Optic Pigtails? A fiber pigtail is a single, short, usually tight-buffered fiber optic cable with a factory-installed connector on one end, and un-terminated



### Understanding Bacteriophage Tail Fiber

The exact mechanisms of how the tail fiber interacts with the receptor at the molecular/atomic level are critical for engineering phages with reprogrammed host ranges. The advancement of technologies

### Fiber Optic Pigtails for Sale

FS fiber optic pigtails offer a fast way to make fiber optic communication devices in the field by fiber splicing, fully manufactured and tested by industrial standards.



### What Is Fiber Optic Pigtail and How to Splice It?

This post contains some basic knowledge of fiber optic pigtail, including pigtail connector types, fiber pigtail classifications, and fiber pigtail



## Comprehensive Guide to Fiber Optic Pigtails , Gezhi Photonics

Dive into the world of fiber optic pigtails, their types, applications, and splicing methods. Enhance your network's performance with Gezhi Photonics. Keywords: Fiber Optic Pigtails, Fiber



### Tail Fiber: Types, Functions, and Common Interfaces

A tail fiber, also known as a fiber optic patch cord, consists of a connector on one end and a cut end of the fiber optic cable core on the other. These patch cords are primarily used to

### Architecture of the bacteriophage lambda tail: Structure

Bacteriophage lambda is an excellent model system to study the tail architecture of bacteriophages. Wang et al. present the cryo-EM structures of the components of the bacteriophage



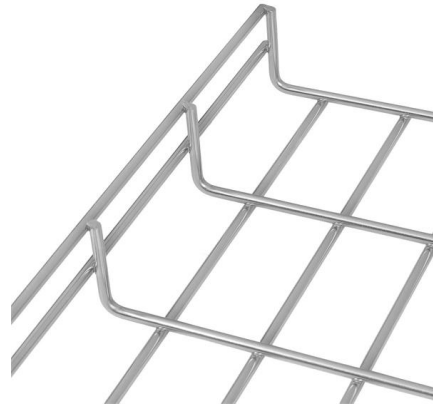
### The relationship between optical cables, terminal boxes, and tail fiber

In fiber optic communication systems, optical cables are used to transmit light signals over long distances. Terminal boxes are used to connect and protect the fiber optic cables at various



## Comprehensive Guide to Fiber Optic Pigtails , Gezhi Photonics

A fiber optic pigtail is a short, usually unjacketed, optical fiber cable that has a factory-installed connector on one end and a length of exposed fiber at the other.



### Fiber Card Gen by Eperson Mayrink

Fiber Card Gen is a web-based tool for generating and visualizing hair cards in real time. Designed for 3D artists, it lets you customize strand behavior, preview results in 2D/3D, and export texture maps



### What is Fiber Optic Pigtails

Fiber optic pigtails are indispensable in creating efficient, reliable, and high-performance fiber optic networks. By understanding the various types and

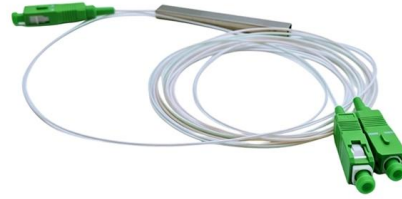


### What Is a Fiber Optic Pigtail? Full Guide to Pigtail Fiber

Comprehensive guide to fiber optic pigtails: Explore types, pigtail connectors, fiber counts, and applications for FTTH, data centers, industrial



We've helped over 1,500 organizations build stronger communications and distribute their stories on credible publishers that drive reputation.



**[pmc.ncbi.nlm.nih.gov](https://pmc.ncbi.nlm.nih.gov)**

Hier sollte eine Beschreibung angezeigt werden, diese Seite lässt dies jedoch nicht zu.

## Contact Us

---

For datasheets, pricing, or custom high-speed optical interconnect solutions, please visit:  
<https://www.syropy.com.pl>