

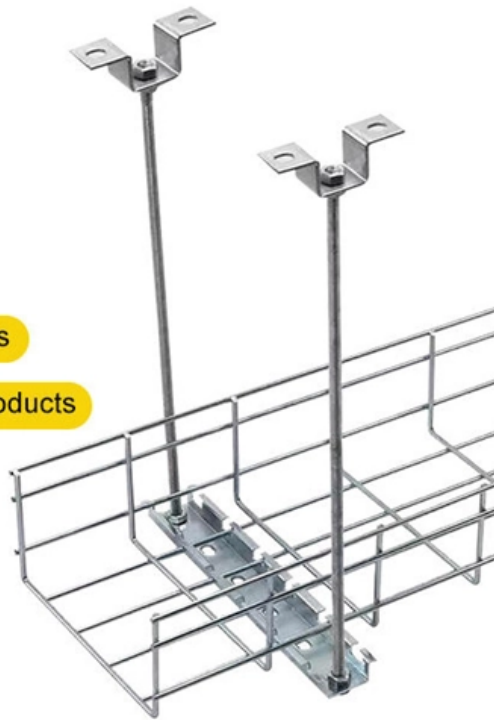
# Can trapezoidal shapes be used for horizontal cable trays

## STAINLESS STEEL WIRE MESH

Long-lasting and durable

Comprehensive specifications

Customized non-standard products





## Can trapezoidal shapes be used for horizontal cable trays

---



### Cable Tray Institute

Download Our Standards Cable Tray System FAQs National Electrical Code Question: We have a customer who would like to install the majority of cable tray

### cable tray system

Straight sections of solid bottom cable trays constructed from single sheet of metal, providing excellent protection from external damage. They are used primarily for intrumental control,

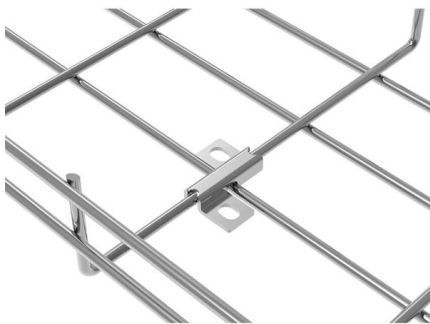


### What is Cable Tray and How it is used in Industrial

A design engineer specifies a type of cable tray that suits the project, cable specification depends upon the industrial environment or situation where it

### Cable Tray Design and Components Guide

Tables list standard sizes and specifications for straight and bent cable trays, including width, height, thickness, materials, and finishes. Drawings show



### **Cable Tray Technical Guide A practical guide to product selection and**

In designing supports for a cable tray system, consideration should be given to the loads associated with future cable additions and any additional loading that may be applied to the cable tray system (e.g.,

### **IEC Standard for Cable Tray: Complete Technical Guide**

The IEC standard for cable tray recognizes multiple tray types depending on application and structure. Each type serves a different purpose in



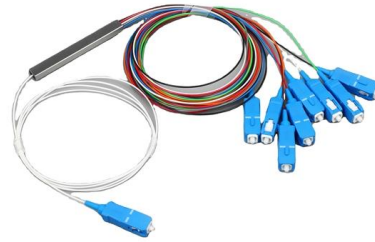
### **Best Practice Guide to Cable Ladder and Cable Tray Systems**

They are not intended to be used as ladders, walk ways or support for people as this can cause personal injury and also damage the system and any installed cables. \* Safe use of these products is



## Type of Tray Cable and Benefit of Cable Trays

Whatever the design, cable trays have their own distinct requirements for effective operation and therefore necessitate the use of tray cable that has its own attributes and



## Best Practice Guide to Cable Ladder and Cable Tray Systems

Cable ladder systems and cable tray systems are designed for use as supports for cables and not as enclosures giving full mechanical protection. They are not intended to be used as ladders, walk ways

## 7 Types of Cable Trays: How to Choose the Right One

Selecting the correct cable tray type is not arbitrary--it depends on a combination of cable characteristics, environmental conditions, and installation



## Guide to cable support systems

Higher specific weights can only be achieved by cables with large cross-sections, which are less bendable and thus can support themselves better and, on account of their larger diameter, have a



## 10 Things to Consider when Selecting a Cable Tray

Selecting a cable tray? Learn key factors like material, load capacity, and environment to choose the best cable management solution

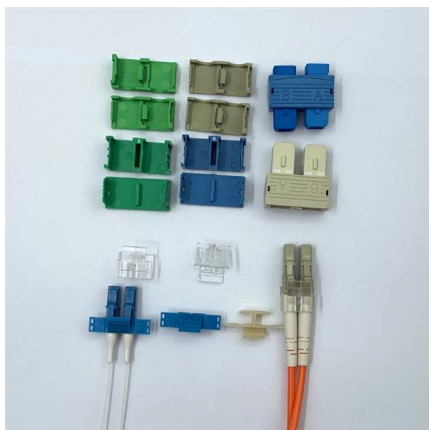


## Best Practices for Installing Cables in Trays

Quick Installation Checklist (Key Steps) Cable tray cable installation generally follows these steps: Inspect cables before

## Cable Tray SHIB NAL

Overloading cable trays can lead to a breakdown of the tray, its connecting points, and/or supports, causing hazards to persons underneath the cable tray and even leading to possible electric shock



## Cable Tray Spacing Standards for Installation and Safety

Key Factors Impacting Cable Tray Spacing Understanding cable tray spacing is key to meeting safety regulations and maintaining system



## Cable Tray Types & Installation Guide , Enagalxy

Learn cable tray types, uses, and installation basics to support safe, efficient electrical and water supply pipe systems in your project.



### Cable Tray , Efficient & Organised Cable Management

A cable tray is a structural system that is designed to support and protect electrical cables and wires. It is usually made from metal, aluminium, or fiberglass and comes in a variety of sizes and shapes



### Types of Cable Trays: Benefits and Uses

Different types of cable trays offer key benefits, optimizing cable management and enhancing efficiency in electrical systems.



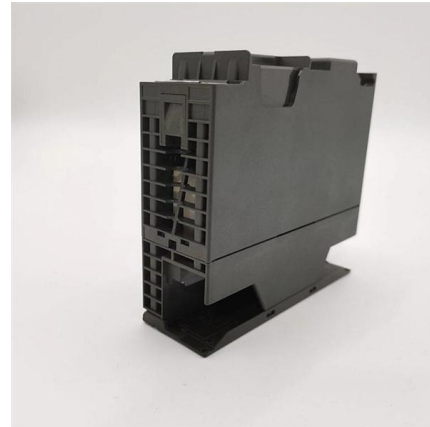
### CABLE TRAY SYSTEMS GUIDE

Steel Ladder System Hubbell's NEXTFRAME® Ladder Tray is the effective and widely used cable runway that supports and delivers bundles of cable between cabinets, racks, and closets, along



## Cable Tray Systems: Requirements and Best Practices

This article explains the main requirements and good practices for cable tray systems, including tray types, materials, loading, supports, bonding, cable selection, and installation details.



## Types of Cable Trays - Purpose, Advantages,

Cable tray systems are alternatives to wire ways and electrical conduit, which completely enclose cables. Cable trays are capable of supporting all types of

## Cable Tray Systems: Requirements and Best Practices

Comprehensive guide to cable tray systems requirements: tray types, materials, loading, supports, bonding, routing, and best practices for safe electrical cable management.



## Cable Tray Technical Guide A practical guide to product selection and

SOLID-BOTTOM CABLE TRAY Providing additional cable protection, solid-bottom cable tray is sometimes preferred to support and protect numerous small instrumentation and control cables.



## B-Line series Cable Tray Design Considerations

For installations where cables exit the bottom of the cable tray, and the overall system is subject to vibration, it is advisable to use B-Line series Cable Channel Bushings (Cat. No. 99-1125).

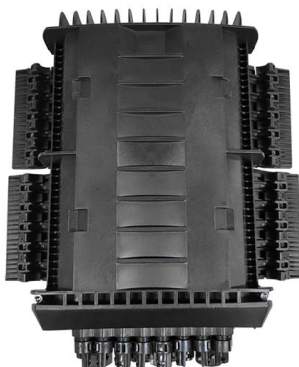


## GUIDE CABLE TRAYS TECHNICAL

When fitting cable trays and their accessories, the products are cut on site to create changes of direction, adjust sections, etc. Damage can also occur during handling; as a result, both the

## The Ultimate Guide to Selecting the Right Cable Tray for

Installation Plan: Plan the installation method and consider any additional accessories or supports required for the cable tray system. In Conclusion



## A Guide to Installing and Supporting Electrical Cable Trays

A professional guide to installing electrical cable tray systems per NEC Article 392. Covers support, securing cables, and fill calculations.



## Contact Us

---

For datasheets, pricing, or custom high-speed optical interconnect solutions, please visit:

<https://www.syropy.com.pl>