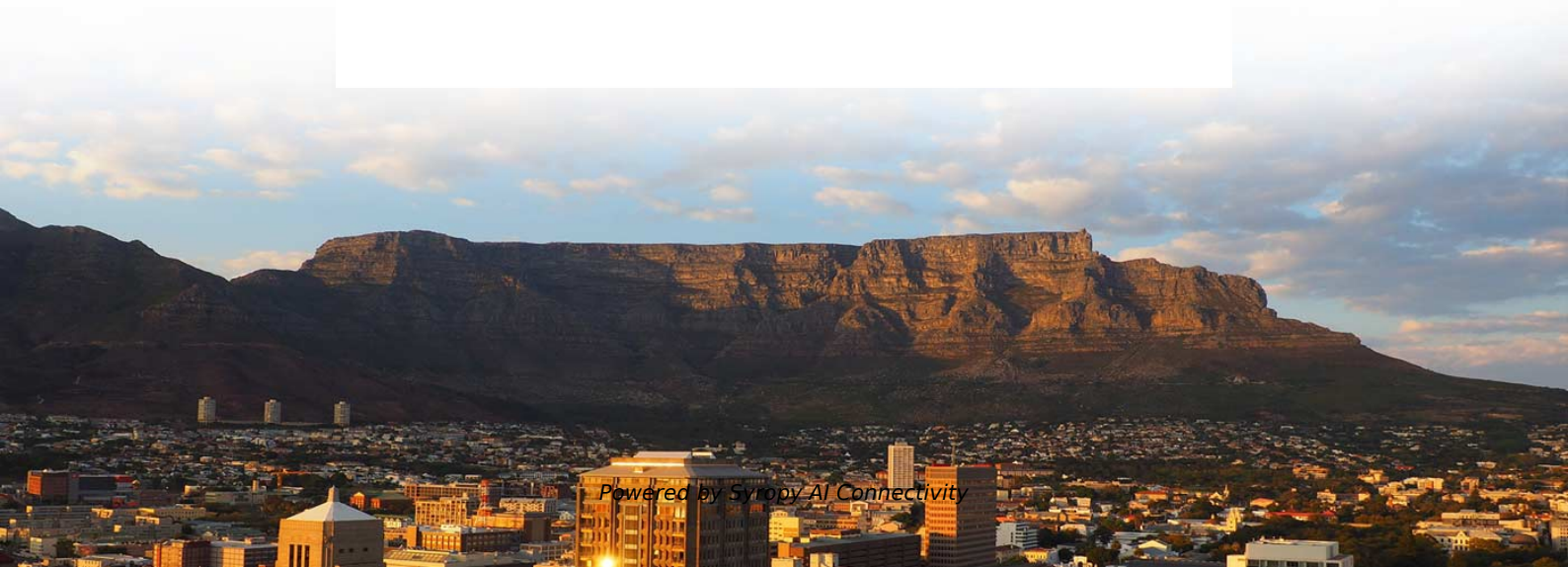


Calibration of Optical Communication Tester in Ecuador





Calibration of Optical Communication Tester in Ecuador



Optical Calibration Services , Tra-Cal

Our expertise covers a wide range of optical devices, including laser sources, LED sources, Optical power Sensors, Optical Attenuators, and Optical Spectrum Analyzers, and more. We provide both in

Conoce los servicios de calibración que ofrece el

El Laboratorio Nacional de Metrología (LNM), del Servicio Ecuatoriano de Normalización (INEN) brinda el servicio de calibración de equipos e instrumentos



Fiber Optic Equipment Calibration

Calibration FIS Calibration and Verification services ensure your fiber optic test equipment remains accurate. It is recommended practice to keep fiber optic test

Ecuador ARCOTEL Type Approval

Various test reports and certificates accepted by ARCOTEL The below test reports & certificates are all accepted as part of ARCOTEL's type approval application process by Ecuador



Measurement and Calibration , SGS Ecuador

With calibration of measurement instrumentation services from SGS, you can be sure of the highest degree of measurement accuracy, reducing measurement uncertainties. Meter calibration enables



UKAS accredited fibre optic, photometric and electronic

Specialists in Calibration, Service, Repair and Sales of Fibre Optic, Electrical, Electronic and Photometric Test and Measurement Equipment. OTC was



Fiber testers : Equipment and tools , Fluke Networks

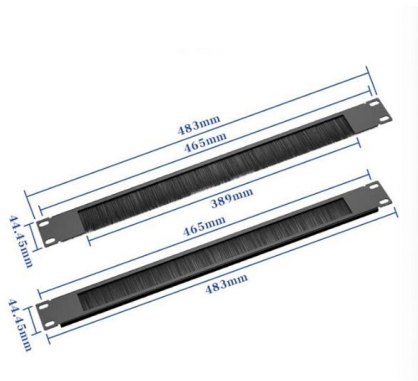
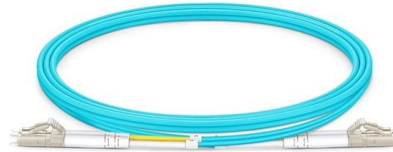
A guide to fiber optic testers, tools, and troubleshooting Fiber optic cabling is the high-performance core of today's datacom networks. As network speeds and



Standards for calibration laboratory accreditation



IEC 61744: Calibration of fibre optic chromatic dispersion test sets Chromatic dispersion is the variation with optical light wavelength of the light propagation delay time in a length of fibre.



What Is DigiPhone? Clarifying the Confusion Between Ecuador

Searchers confuse 'DigiPhone' with a phone brand--but it's either a Riobamba, Ecuador electronics store or Megger's professional cable tester. Here's how to tell them apart and avoid

Fiber Optic Calibration Services

Delivering Crystal-Clear Connectivity Tektronix state-of-the-art calibration laboratory offers a comprehensive range of services for fiber optic test and measurement



Calibration of Measurement Instrumentation , SGS Ecuador

With calibration of measurement instrumentation services from SGS, you can be sure of the highest degree of measurement accuracy, reducing measurement uncertainties. Meter calibration enables



Optical Calibration Services

From manufacturing floors to research labs, our optical calibration services guarantee that your instruments, whether for fiber optics, photometry, or



Calibration and Dimensional Testing Inspection , SGS Ecuador

We are able to provide access to your calibration certificates on-line, with secure 24/7 access from any location. Our Bluestar system will provide email reminders in advance of when your equipment

Standards for calibration laboratory accreditation

A continuous chain of International Standards IEC Technical Committee 86 prepares International Standards for fibre optic systems, modules, devices and components intended for use with



EXFO Calibration and EXFO Repair by Custom-Cal

Custom-Cal offers discount Exfo Calibration and repair on Exfo Optical, Fiber Optic, communication and photonix laboratory test equipment, including instruments not



Calibration services

EXFO calibration services ensure your test instruments deliver precise, reliable results. With calibration experts, advanced facilities, and adherence to industry



Instrument Calibration and Repair , SGS Ecuador

Our calibration laboratory offers efficient turnaround times and is ISO 17025 accredited. In addition to our calibration and repair services, we can also provide replacement monitors during the repair period

Calibration Companies And Suppliers In Ecuador ,

SpectrOil - Model 100 Series (RDE-OES) - Rotating Disc Electrode Optical Elemental Spectrometer SpectrOil 100 Series is a precision benchtop RDE-OES elemental analyzer for lubricants, fuel,



Optical calibration , Element Metech

We provide both traceable and accredited optical calibration for a wide range of measuring instruments either in our accredited laboratories or directly on-site at your facility.



SCOPE OF ACCREDITATION TO ISO/IEC 17025:2017

This laboratory offers commercial calibration service and field calibration service.



Accredited Calibration Laboratory for Fiber Optics

At DIAMOND, our Test and Calibration Laboratory is dedicated to maintaining the highest standards of accuracy and reliability in fiber optic measurements.

Calibration - FiberOptics Services

From Power Meter/Light Sources, OTDR any test and measurement equipment will require calibration. FiberOptics will calibrate along with testing the ferrule

An Extensive Library of Self-Developed Products



Calibration Services for Fiber Optic Test Equipment

Ensure precision with AssetRelay's calibration services for fiber optic test equipment. Partnered with Simbol Test Systems Inc, we offer N.I.S.T traceable calibrations for analyzers, meters, lasers, and



Communications Equipment Calibration Services

Tektronix communication calibration services ensure that your critical equipment performs flawlessly in the interconnected world. Whether you're dealing with

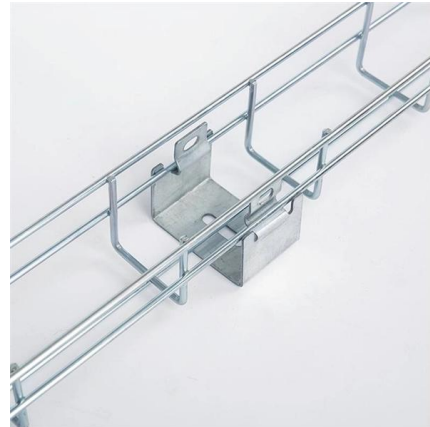


Communication Analyzer Calibration: Why Delay

Onsite Communication Analyzer Calibration that saves time and ensures top performance of your test equipment.

Latest Calibration Services Tenders in Ecuador 2026

Find latest government Calibration Services tenders from Ecuador. Online Active and Archive database of Calibration Services Tenders, Procurements Opportunities, Government Bids and RFPs Information.



Contact Us

For datasheets, pricing, or custom high-speed optical interconnect solutions, please visit:

<https://www.syropy.com.pl>