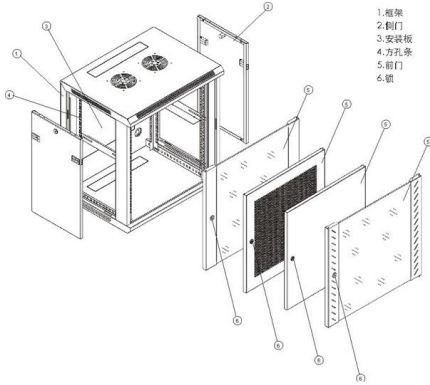


# **Cable trays installed on top of network cabinets**





## Cable trays installed on top of network cabinets



### Cable tray

Combustible cable jackets may catch on fire and cable fires can thus spread along a cable tray within a structure. This is easily prevented through the use of fire

### 8 Best Network Cabinet Trays for Optimal Organization

Navigate the top 8 network cabinet trays that enhance organization and prevent overheating, but which one will best suit your needs? Discover more

LoRawan outdoor base station



### CABLE TRAY SYSTEMS GUIDE

Steel Ladder System Hubbell's NEXTFRAME® Ladder Tray is the effective and widely used cable runway that supports and delivers bundles of cable between cabinets, racks, and closets, along

### How to Install Cable Tray: A Comprehensive Guide to Different Cable

Welcome to our step-by-step guide on installing cable trays! In this video, we'll explore the different types of cable trays available and provide detailed instructions for their installation.

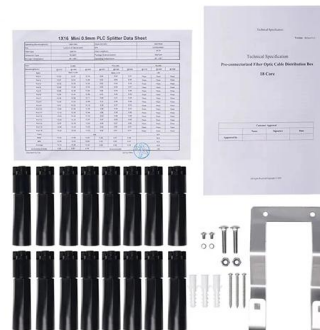


### CABLE TRAY SYSTEMS GUIDE

Hubbell's NEXTFRAME® Ladder Tray is the effective and widely used cable runway that supports and delivers bundles of cable between cabinets, racks, and closets, along walls, and suspended from

### Data Centre Cable Management Systems (CMS)

Enter Cable Management Systems (CMS) -- a crucial element in establishing order within a data center. CMS provides structured and organized



### TN28: Installation Guidelines for the use of Waterfalls and Cabinet

Any cable leaving tray including basket tray must do so via a 'Waterfall'. Any tray that is at height of 500mm or more above the cabinet entry point also requires a length of vertical tray or basket to



## The Ultimate Guide to Network Cabinets: Everything

There are several types of network cabinets available in the market. In this section we will discuss the most highlighting ones; i) IT enclosure SP-603



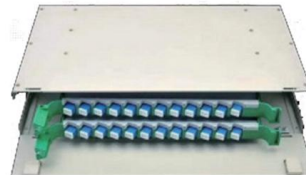
### Cable tray systems support cables' journey through the

These waterfalls or cable 'drop-outs,' as they are more commonly known, provide complete support for the cables and maintain the proper bend radius for the



## The Essential Guide to Network Cabinet Systems:

By selecting the right system, planning your installation carefully, implementing effective cable management practices, and regularly maintaining your equipment,



### Network cabinet placement and wiring tips

Network cabinet placement and wiring tips Many network devices are stored in the cabinets. In order to meet the normal operation of these devices in



## Network Cabinet Cable Management Solutions for

Explore network cabinet cable management solutions designed to organize cables, improve airflow, and optimize space in server racks and enclosures.

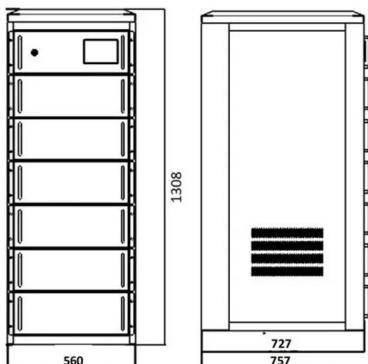


### Best practices for underfloor cable management

Designing, selecting, installing, and grounding cable tray properly allows the equipment in the data center to function at its best. An important final step is to create ongoing cable management

### Cable Management Tools and skills in data centers

Discover the best practices for cable management in data centers, including the use of cable management tools, basic methods, routing



### How To Do Beautiful Structured Cabling In A Data Center

For network cable routing, it's also necessary to pass through the upper cable holes of the cabinets, with preference for the side of the cable trays closer to the cold aisle.



## Data Centre Cable Trays: High-Density Cabling Guide

Learn about Data Centre Cable Trays for high-density cabling. Get a guide on design, materials, smart management, & future tech for data halls.



## Organising and wiring a rack cabinet: a complete guide

Rack cabinets contain various components. For fibre optic cabling there are optical splitters, patch panels, fibre supports and trays for optical services, as well as

## Network Cable Tray Systems: Choosing the Best

Investing in the right cable tray system is essential for creating a safe, organized, and scalable network infrastructure. Whether you're setting up a new office in the



## Top of cabinet cable management

Accessories for top-of-cabinet cable management in cabinets. The Nexpan roof divider panels are our new approach to cable trays. They allow you to optimise the way cables are led to the rack. The



## TN28: Installation Guidelines for the use of Waterfalls and Cabinet

Date: June 2018 This Technical note has been produced in response to a request regarding the installation best practices when cables transition from high-level basket tray into a cabinet.



### What are Cable Trays & Different Types of Cable Trays

For managing large cable networks, you need a reliable organizational system to ensure that the power supply stays operational. One of

### Network Cable Tray Systems: Choosing the Best

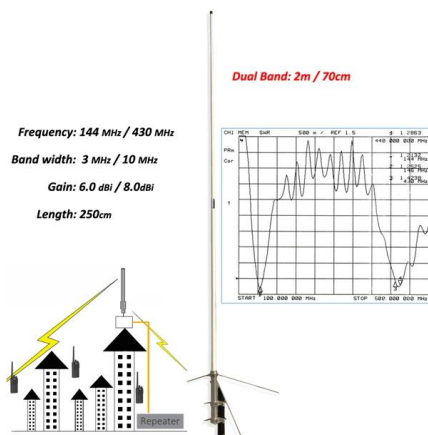
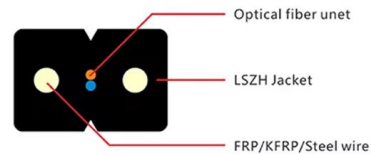
From assessing your space to selecting the ideal cable tray system, our team ensures a seamless and efficient installation process. Investing in the right cable



### Cable Tray Technical Guide A practical guide to product selection and

Cable tray installed in a hazardous location must contain only those cables that are appropriate for this type of environment as defined in Chapter 5 of the NEC.

When routing distribution or interconnect cables from FiberRunner™ pathways to an equipment rack or cabinet, an appropriately sized spill-out should be used to assist in the transition from the pathway to



### Optimizing Data Center Infrastructure: Network

Cable support systems including cable tray, raceway and J Hooks (i.e. J Hook fastens). Installed in confined areas that cannot accommodate cable

### Mastering Cable Tray Installation , Step-by-Step Guide for a Seamless

Learn how to install cable trays correctly. Get the ultimate step-by-step guide on setting up a seamless and reliable cable management system.



### Server Rack Accessories

Overhead Cable Management Streamline your IT and network setup with overhead cable management solutions from Server Racks Online. Designed for efficient cable routing and organization, our



### **Wall Mount Network Cabinet Cable Management Best Practices:**

Wall mount network cabinets require specific tools that differ from floor-standing racks. Patch panels organize connections effectively, while cable trays or raceways protect wires along walls or floors



## **Contact Us**

---

For datasheets, pricing, or custom high-speed optical interconnect solutions, please visit:  
<https://www.syropy.com.pl>