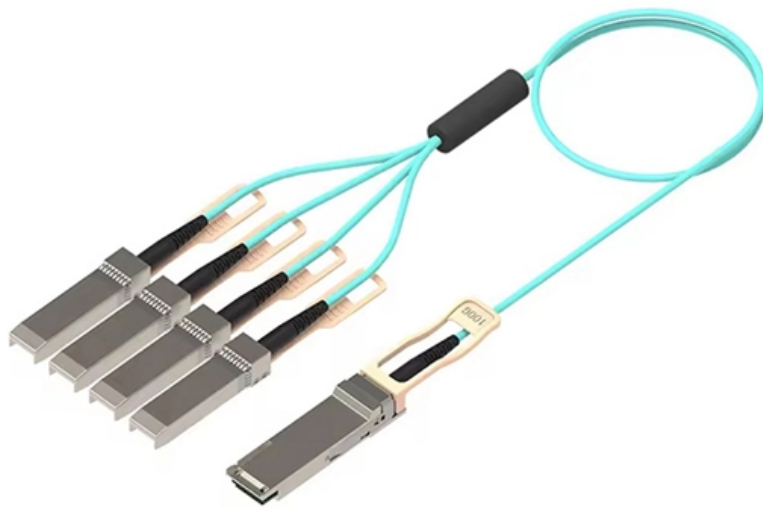


# Cable tray span too large





## Overview

---

5–3 m) and verify the uniform load rating exceeds your cable weight plus a safety factor. Specify horizontal/vertical bends, tees, reducers, drop-outs, and barriers. Cable tray (or cable ladder) systems are a popular alternative to electrical conduit systems, as they have an outstanding record for dependable service, design flexibility and cost savings in commercial and industrial applications. Cable Tray Installation Spacing plays a huge role in the safety, efficiency, and reliability of electrical systems. In this guide, you will learn how to calculate cable tray size step by step using a practical formula, tray selection rules, and a real example. Cable tray sizing is a technique of establishing the right dimensions of a cable tray system with regard to its length, width, and height so that the current and future cable loads can be sufficient.



## Cable tray span too large

---

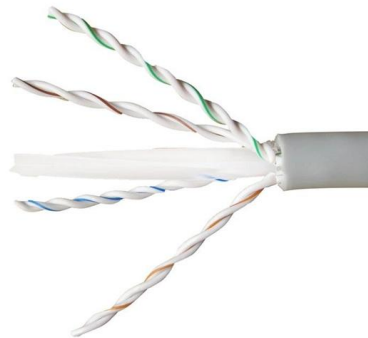


### Load Tables , Cable Management , Metsec

Range of Load Tables for Metsec Cable Tray Systems for the mechanical and electrical services industry. For any queries, contact our team on +44 (0)121

### B-Line series Cable Tray Design Considerations

As an industry leader in cable tray, Eaton offers one of the widest ranges of cable management solutions available in the market today with its B-Line series portfolio. With unmatched quality and service, we



### How to Solve Excessive Cable Tray Installation Spacing?

Learn how to fix excessive cable tray installation spacing. Discover tips and solutions to improve safety, performance, and ease of maintenance for

### Cable Tray Sizing & Load Calculations Made Simple

Pick a span (often 1.5-3 m) and verify the uniform load rating exceeds your cable weight plus a safety factor. Check deflection limits to protect terminations and fibre.



### Cable Tray Sizing

Learn cable tray sizing with accurate width and dimension calculations. Avoid common mistakes for efficient cable management. Read our expert guide now!



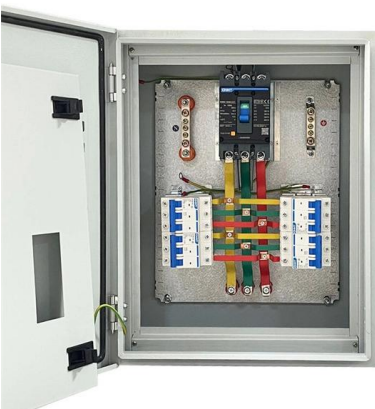
### Cable Tray Support Spacing: Key Guidelines Explained

Explore the essential cable tray support spacing requirements for safe and efficient installations. Learn NEC guidelines for perforated, ladder, and wire



### B-Line series Cable Tray Design Considerations

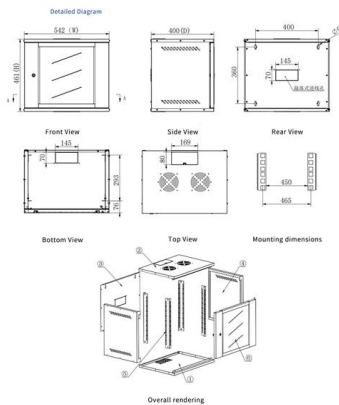
Is your cable tray system optimized for safety, dependability, space and cost savings? Cable tray (or cable ladder) systems are a popular alternative to electrical conduit systems, as they have an





## Cable Tray Spacing Standards for Installation and Safety

The Importance of Cable Tray Spacing in Electrical Infrastructure Cable tray spacing is a critical aspect of electrical infrastructure, influencing both



### Load over Span Considerations

Load over Span Considerations Understanding the relationship between load and span will help you choose the right strut or cable support product An important

### B-Line series Cable Tray Design Considerations

The stresses of pulling large cables through cable trays can produce 3 times the stress of the cables' static load. If the installation load is not evaluated the cable tray may be damaged during installation.



### How Far Can Cable Tray Support Span?

Tray Type Different types of cable trays have varying load-bearing capacities. Solid-bottom trays, for example, can support more weight than ladder



## Cable Tray Technical Guide A practical guide to product selection and

Cable Tray Technical Guide A practical guide to product selection and installation This guide for engineers and installers has been developed by ABB as a practical reference regarding cable tray



### Long-Span Channel Cable Tray System

The length of the ordinary bridge is about 2M, and the length of the large span bridge can be customized, 3m, 6m,8m,12m. The long-span cable tray adopts the

### How Far Can Cable Tray Support Span?

If you've ever wondered how far cable trays can span and what makes them a crucial component, you're in the right place. In this article, we'll



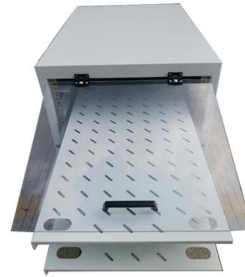
### How to Fix Common Cable Management Issues using

Discover common cable management problems and how cable tray accessories effectively solve them to ensure safety and performance.



## 26 05 36 Cable Trays for Electrical Systems

SCOPE This section includes: Metal cable trays  
Nonmetallic cable trays Cable tray accessories  
Related Requirements: Section 260010  
"Supplemental Requirements for Electrical" for additional



### How Far Can Cable Tray Support Span?

In the world of electrical infrastructure, cable trays play a pivotal role in supporting and organizing electrical cables. These unassuming metal or plastic structures are the unsung heroes of every

### What does cable tray span mean?

The span of a cable tray refers to the distance between different support points of the cable tray. The size of this distance has a significant impact



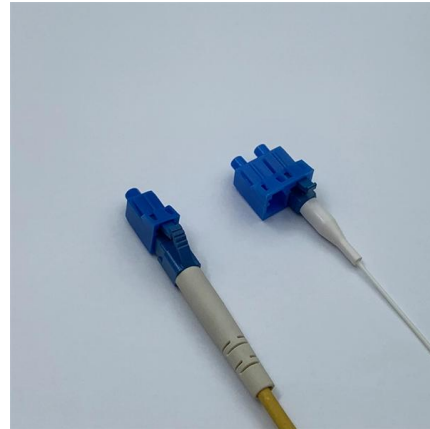
### Precautions for Cable Tray Installation

Cable Tray Installation Guide The correct installation of cable trays is crucial for establishing a reliable and efficient cable system. It ensures that cables are



## Cable Tray Size Calculation for Project Engineers

Cable tray size calculation is important for ensuring safe cable installation, proper heat dissipation, and enough spare capacity for future



## How to Calculate Cable Tray Span for Your Project

The cable tray span chart included in these PDFs will guide you in choosing the appropriate tray and span based on the specific cables and environmental factors of your installation.

## Cable Tray Load Calculation and Sizing: Your Easy Guide

Worried about cable tray capacity? Learn simple cable tray load calculation steps. This guide helps you pick the right tray every time, keeping



## What does cable tray span mean?

When installing cable trays, it is necessary to choose the appropriate tray size based on the span. If the span is too large, it may lead to insufficient



## **An In-depth Analysis for Optimal Cable Tray Support Span**

The constructability for the longer span obtained from finite element analysis has been validated in view of manual handling of the cable tray.



## **Cable Tray Size and Dimensions: How to Choose the**

Learn how to calculate the perfect cable tray size and dimensions for your electrical project. This guide covers load capacity, fill ratios, and industry

## **Contact Us**

---

For datasheets, pricing, or custom high-speed optical interconnect solutions, please visit:  
<https://www.syropy.com.pl>