

# **Cable tray cable laying area**





## Cable tray cable laying area

---

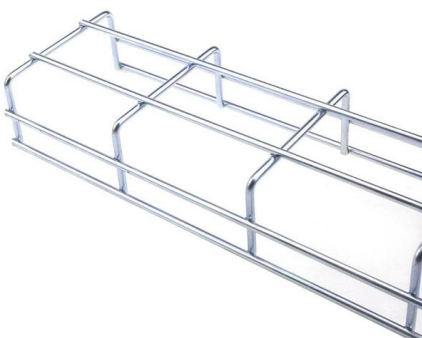


### Cable Tray Fill Calculator

Our cable tray fill calculator is designed to compute the appropriate size and capacity of cable trays. You need to install 50 power cables, each with a diameter of 0.5 inches, in a 4-inch deep cable tray.

### Best Practices for Installing Cables in Trays

Quick Installation Checklist (Key Steps) Cable tray cable installation generally follows these steps: Inspect cables before



### Precautions for Cable Tray Installation

Cable Tray Installation Guide The correct installation of cable trays is crucial for establishing a reliable and efficient cable system. It ensures that cables are

### Technical Guidelines for Cable Tray Installation and

Cable tray installation must comply with specific technical standards to ensure electrical safety, system reliability, and long-term maintainability. This document



### **Cable Tray Technical Guide A practical guide to product selection and**

Cable tray installed in a hazardous location must contain only those cables that are appropriate for this type of environment as defined in Chapter 5 of the NEC.

### **Cable Tray Capacity Calculator**

This calculator determines the maximum number of cables that can be safely housed within a cable tray based on its dimensions and the cross-sectional



### **Types of Cable Trays - Advantages, Applications and Sizes**

Explore the types of cable trays, their advantages, applications, and standard sizes. Learn how they improve cable management and support various industries.



## How to Install Cable Tray: A Comprehensive Guide to Different Cable

Welcome to our step-by-step guide on installing cable trays! In this video, we'll explore the different types of cable trays available and provide detailed instructions for their installation.



### Cable Tray Design, Layout, and Overall Wiring Planning

Learn about effective Cable Tray Design and Layout for electrical systems. Our guide covers planning, material choice, safety, and maintenance.

### B-Line series Cable Tray Design Considerations

The total sum of the cross-sectional areas of all the single conductor cables to be installed in the cable tray must be equal to or less than the allowable cable area for the tray width.



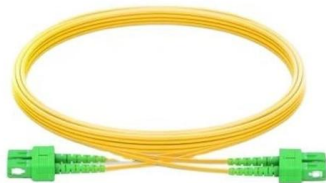
### GUIDE CABLE TRAYS TECHNICAL

When fitting cable trays and their accessories, the products are cut on site to create changes of direction, adjust sections, etc. Damage can also occur during handling; as a result, both the



## Cable Tray Design, Layout, and Overall Wiring Planning

Learn about effective Cable Tray Design and Layout for electrical systems. Our guide covers planning, material choice, safety,



## Cable Tray Types and Sizes

Explore various cable tray types and sizes for electrical installations. Learn about ladder, perforated, solid-bottom, wire mesh, and channel trays in this complete

## Cable Tray Size Calculation for Project Engineers

Cable tray size calculation is important for ensuring safe cable installation, proper heat dissipation, and enough spare capacity for future



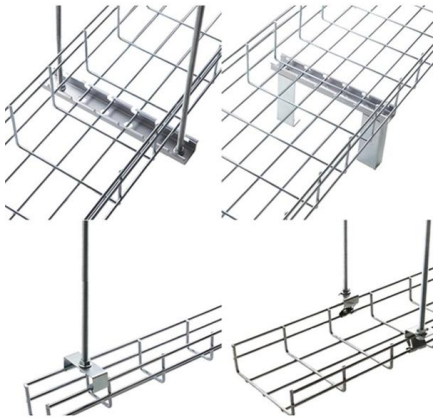
## Cable Tray Technical Guide A practical guide to product selection and

Cable Tray Technical Guide A practical guide to product selection and installation This guide for engineers and installers has been developed by ABB as a practical reference regarding cable tray



## Understanding Cable Pathways, Cable Conduits, Cable

A cable pathway or raceway is a protective channel or enclosure made of materials like metal or plastic, used to manage and safeguard electrical cables and wires. It



### Installation Of Cable In Cable Trays: NEC, Safety

Installation of Cable in Cable Trays ensures proper routing, cable management, NEC compliance, grounding, fire safety, and load capacity.

### Cable tray

In the electrical wiring of buildings, a cable tray system is used to support insulated electrical cables used for power distribution, control, and communication. Cable



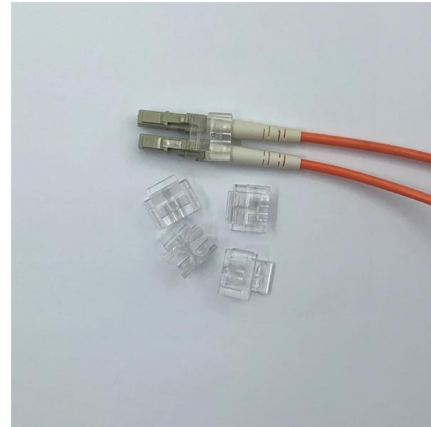
### Best Practice Guide to Cable Ladder and Cable Tray Systems

This guide covers cable ladder systems, cable tray systems, channel support systems and associated supports intended for the support and accommodation of cables and possibly other electrical



## Cable Tray Installation

Learn everything about cable tray installation with our complete guide. Discover types, steps, and safety tips for efficient electrical cable management.



### Product Catalog



## Tray and Ladder Sizing by Cable Capacity Calculator - IEC

Calculate tray and ladder sizes by cable capacity with our IEC-compliant calculator for efficient and accurate electrical installations.

## Complete cable tray manual for electrical engineers and

Complete cable tray manual for electrical engineers and designers (on photo: power cable management ladder tray systems assembled aluminum cable tray ladder)



## Contact Us

---

For datasheets, pricing, or custom high-speed optical interconnect solutions, please visit:  
<https://www.syropy.com.pl>