

# **Cable cross-section and cable tray width**





## Overview

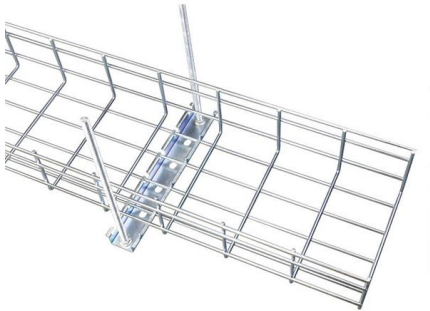
---

Calculate required cable tray width per NEC Article 392 using the 50% fill ratio rule. Enter cable ODs and quantities to get minimum tray cross-section area and recommended standard tray width (6", 12", 18", 24", 30", 36") for multi-conductor power and control cable installations. Across most global markets, they follow well-established dimensional ranges so that trays, fittings, covers, and supports remain compatible, code-compliant, and structurally predictable. All illustrations, descriptions and technical information included in this document are provided as indications and can cable trays are equivalent. The mechanical and electrical characteristics, tests, certifications, overall quality management, recommendations mentioned.



## Cable cross-section and cable tray width

---



### **Cablofil CF30/100GC Hot Dip Galvanised Steel Wire Cable Tray 3m**

Hot-dip galvanised after manufacture for superior corrosion resistance, compliant with EN ISO 1461 standard. Robust 3m wire mesh tray with 100mm width and 30mm height, providing effective cable

### **Cable Tray Size Calculation for Project Engineers**

Cable tray size calculation is important for ensuring safe cable installation, proper heat dissipation, and enough spare capacity for future



### **CableTray Book English**

Fittings in a cable tray system are required to change cable routing direction and to join straight sections and other fittings. This step of the cable tray selection process requires that the specifier chooses

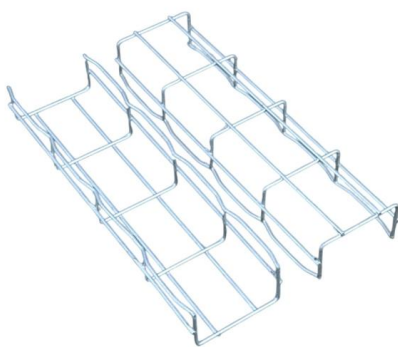
### **Cable Tray Ladder Trunking Wire Basket Installation**

Cable trays are available in different configurations, straight sections are available to route cables in a horizontal or vertical plane. Fittings are available to route cables



### Cable Tray Sizing Calculator

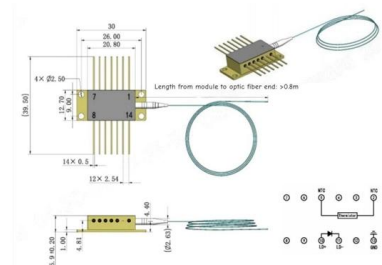
The calculator computes the cross-sectional area of all cables and compares it to the available tray cross-section. The fill percentage indicates how much of the tray is



### Cablofil CF30/600EZ Electro Zinc Steel Wire Cable Tray 3m

Proven positive contribution to electromagnetic compatibility (EMC) for sensitive installations  
Electrical continuity verified to IEC 61537, ABS, and DNV standards, suitable for offshore platforms and marine

Outline drawings  
mm



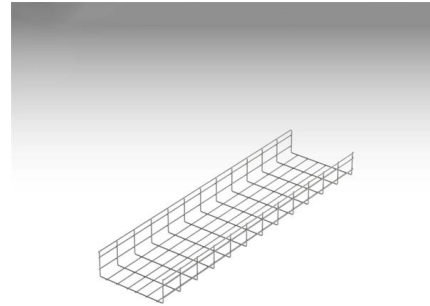
### Free Cable Tray Sizing Calculator -- IEC, AS/NZS, NEC, BS

The cable tray calculator determines the required tray width and type based on the number and size of cables to be installed, ensuring adequate fill levels and derating compliance.



## Cable Tray, Cable Bus, Wire Mesh Cable Trays , MP

MP Husky manufacturers Cable Tray Systems, Cable Bus System, Wire Mesh/Wire,Cable Tray, & Cable Management Systems. Our cable support



Grid Cable for marine and offshore applications



## Cable tray MKS-Magic® 110, unperforated FS

Find out more about Cable tray MKS-Magic® 110, unperforated FS now! OBO - your provider for Cable trays, plug connection.



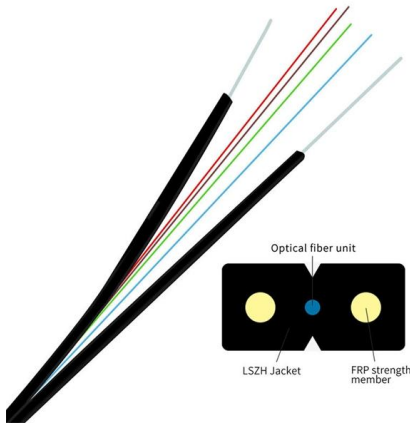
## Cable Tray Technical Guide A practical guide to product selection and

In designing supports for a cable tray system, consideration should be given to the loads associated with future cable additions and any additional loading that may be applied to the cable tray system (e.g.,



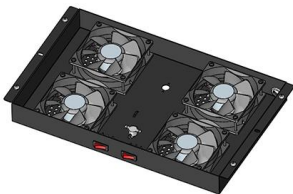
## FRP Cable Tray , Cable Tray Support

Different Width Different tray widths to give more choice for loading space availability. FCT cable tray comes in standard widths of 50, 100, 150, 200, 300, 400, 500 and 600 mm. Other widths are



## AS/NZS 3008 (2025) Cable Sizing Guide: Example

Size active, neutral, and earth cables using AS/NZS 3008 (2025). The guide covers current capacity, voltage drop, and short-circuit calculations with examples.



## GUIDE CABLE TRAYS TECHNICAL

When fitting cable trays and their accessories, the products are cut on site to create changes of direction, adjust sections, etc. Damage can also occur during handling; as a result, both the



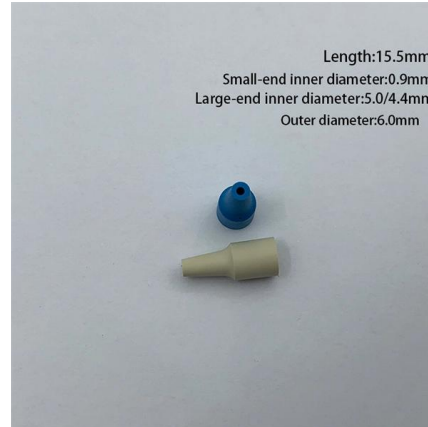
## Cablofil CF30/500EZ Electro Zinc Steel Wire Cable Tray 3m

The Cablofil Electro Zinc steel wire cable tray provides a practical and reliable cable management solution for indoor and low-corrosive environments. Its electro-zinc finish delivers consistent surface



## B-Line series Cable Tray Design Considerations

The total sum of the cross-sectional areas of all the single conductor cables to be installed in the cable tray must be equal to or less than the allowable cable area for the tray width.



## Resources for Cable tray and ladder systems

Submittals for cable ladder and tray Eaton's submittal builder tool for B-Line series cable ladder and tray allows you to easily filter, select and download straight

## Cable tray SKS-Magic® 60, unperforated FS

Find out more about Cable tray SKS-Magic® 60, unperforated FS now! OBO - your provider for Cable trays, plug connection.



## Cable Tray Fill Calculator

NEC Article 392 governs cable tray installations. Key Rule: The sum of cross-sectional areas of cables must not exceed 40% for power cables and 50% for control cables of the tray's usable area.



## Cable Tray Dimensions Guide: Standard Sizes, Tray

Explore standard sizes by tray type, understand width and depth limits, and see how to calculate and choose compliant cable tray sizes for real projects.

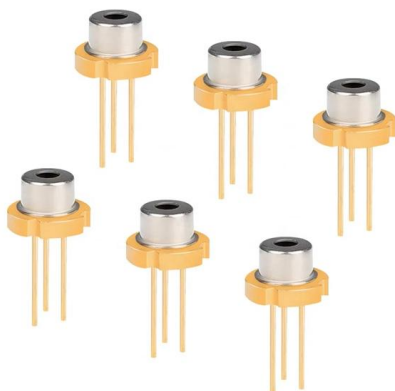


### NEC Cable Tray Sizing Calculator , Calcady(TM)

Calculate required cable tray width per NEC Article 392 using the 50% fill ratio rule. Enter cable ODs and quantities to get minimum tray cross-section area and recommended standard tray width (6",

### Cablofil CF150/600EZ Electro Zinc Steel Wire Cable Tray 3m

Electro-zinc steel wire cable tray for reliable indoor installations. Open mesh design enables ventilation and inspection, delivering quick installation and scalable cable management with Cablofil accessories.



### Cable Tray Offset Calculator , Vertical, Horizontal & Compound Offset

Vertical vs Horizontal vs Compound Offset  
Depending on the layout of your facility, your cable tray will need to maneuver in different directions to avoid clashes: Vertical Offsets:  
Route the tray up toward



## Contact Us

---

For datasheets, pricing, or custom high-speed optical interconnect solutions,  
please visit:

<https://www.syropy.com.pl>