

Cable Tray System Diagram Identification





Cable Tray System Diagram Identification



Hardware -- NVIDIA DGX GB Rack Scale Systems

Hardware # DGX Grace Blackwell rack scale systems are rack scale solutions for graphics processing units (GPUs) connected by NVLink through the

Cable Ladder & Tray Components

The guide offers a step-by-step demonstration of the proper sequence for assembling these components, providing users with a clear understanding of how

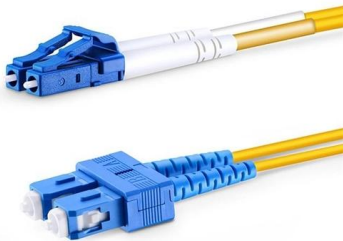


Typical Arrangement of Cables in a Cable Tray

Download scientific diagram , Typical Arrangement of Cables in a Cable Tray from publication: Heat Gain from Electrical and Control Equipment in Industrial Plants ,

GUIDE CABLE TRAYS TECHNICAL

If it has excellent electrical continuity and is integrated in the installation's equipotential bonding system, a metal cable tray reduces the coupling's impact and thus contributes to good EMC of the electrical



Annex I

5.4.3 Cable tray configuration for NON PIC-SSC (Structures, system and components) with PIC cable trays passing through This layout is required in some Rooms in non-nuclear buildings (blg71, blg74)

Cable Tray Systems: Requirements and Best Practices

Comprehensive guide to cable tray systems requirements: tray types, materials, loading, supports, bonding, routing, and best practices for safe electrical cable management.



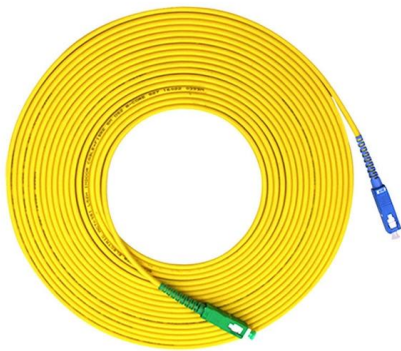
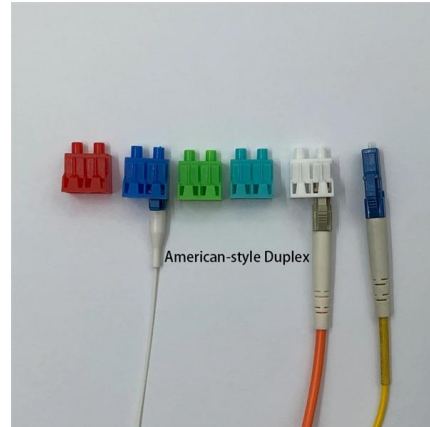
Cable Tray Technical Guide A practical guide to product selection and

A practical guide to product selection and installation This guide for engineers and installers has been developed by ABB as a practical reference regarding cable tray characteristics, installation, and



Cable Tray Design, Layout, and Overall Wiring Planning

Learn about effective Cable Tray Design and Layout for electrical systems. Our guide covers planning, material choice, safety,

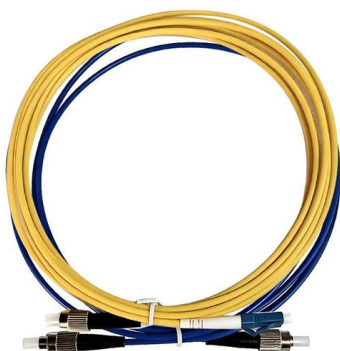


Core Principles for Electrical and Instrumentation Cable

In industrial settings, electrical and instrumentation (E& I) cable trays or bridge racks play a critical role in organizing and supporting power, control, and signal cables

What are Cable Trays & Different Types of Cable Trays

Learn what cable trays are & explore the various types, benefits, and purposes. Gain insights into how electrical cable trays can revolutionize your



Cable Tray Installation Details , PDF , Hvac , Machines

This document contains reference information for typical cable tray support details, including cable tray data sheets, cable lists, and HVAC system specifications for



Cable Trays Selection Guide: Types, Features,

Cable trays are components of support systems for power and communications cables and wires. A cable tray system supports and protects both power and

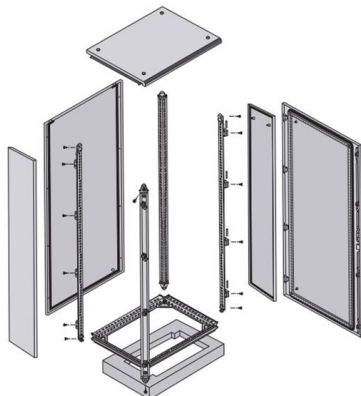


Cable tray manual

These documents: ANSI/NEMA VE-1, Metal Cable Tray Systems; NEMA VE-2, Cable Tray Installation Guidelines; and NEMA FG-1, Non Metallic Cable Tray Systems, are an excellent industry resource in

Cable Tray Tagging System Overview

The cable identification system facilitates troubleshooting and maintenance by providing precise identifiers for each cable's source and destination, its function,



Instrument Tray Layout

Instrument tray layouts are used by a variety of personnel in the design, installation, operation, and maintenance of process control systems.

CABLE TRAY SYSTEMS GUIDE



Steel Ladder System Hubbell's NEXTFRAME® Ladder Tray is the effective and widely used cable runway that supports and delivers bundles of cable between cabinets, racks, and closets, along



Guide to cable support systems

The load capacity of the cable trays according to the support width can be read off in the diagram using load curves - here, shown as an example for a cable tray with the tray widths 100 to 600 mm.

Cable Trays: The Essential Guide to Efficient Cable

Master cable tray installation and selection with this comprehensive guide. Discover types, benefits, and maintenance tips for efficient cable management in



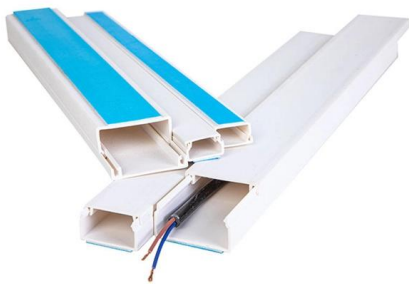
Drawings , Innovative Cable Trays, Cable Management

Download Snake Tray drawings detailing our innovative cable trays, cable management, and power distribution solutions. We sweat the details!



CABLE TRAY SYSTEMS GUIDE

In order to determine the most appropriate and economical system, a class should be selected that reflects the actual total working load and support span for each application. Some applications may



GUIDE CABLE TRAYS TECHNICAL

In accordance with its continuous improvement policy, Legrand reserves the right to change the specifications and illustrations without notice. All illustrations, descriptions and technical information

Complete cable tray manual for electrical engineers and

The final drawings for a cable tray wiring system may be completed



Types of Cable Trays: Ladder, Perforated, Basket, Solid

Explore all types of cable trays--ladder, perforated, basket, solid, and channel. Learn their uses, materials, pros, cons, and key differences.



Cable Tray Technical Guide A practical guide to product selection and

Cable tray is considered to be a system. It must provide continuous support for cables, and the electrical continuity of the cable tray system must be maintained.



Contact Us

For datasheets, pricing, or custom high-speed optical interconnect solutions, please visit:
<https://www.syropy.com.pl>