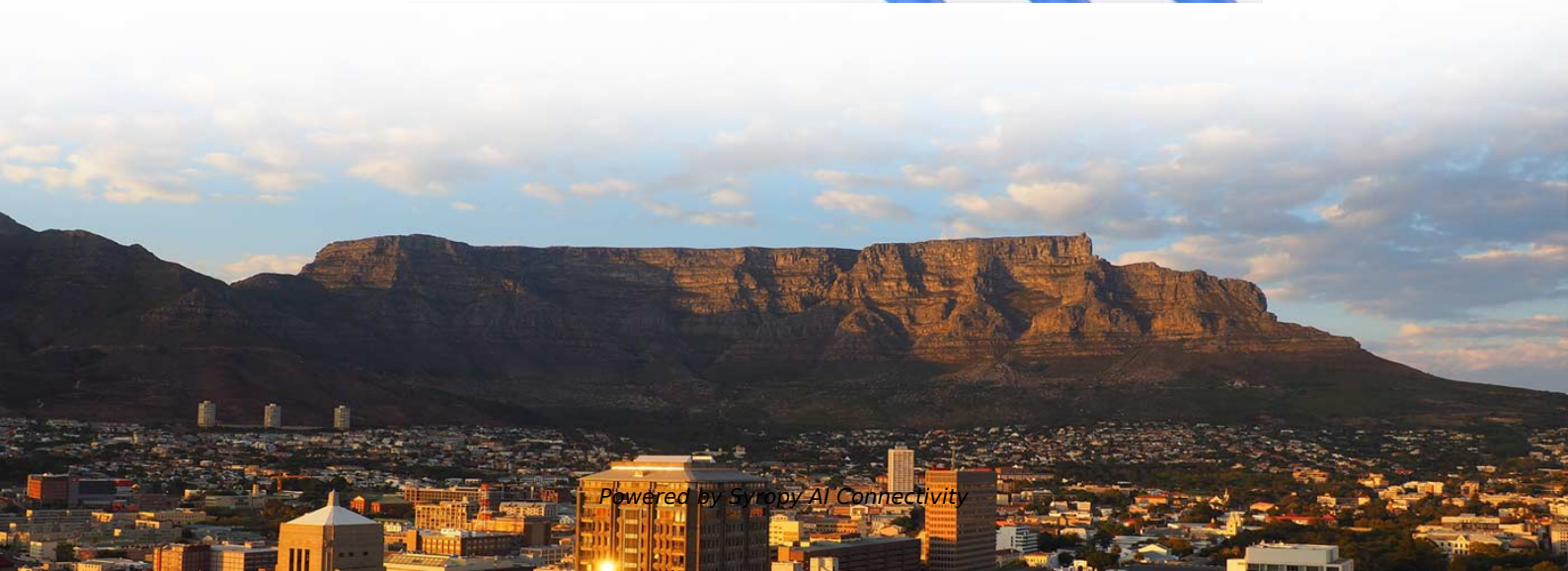
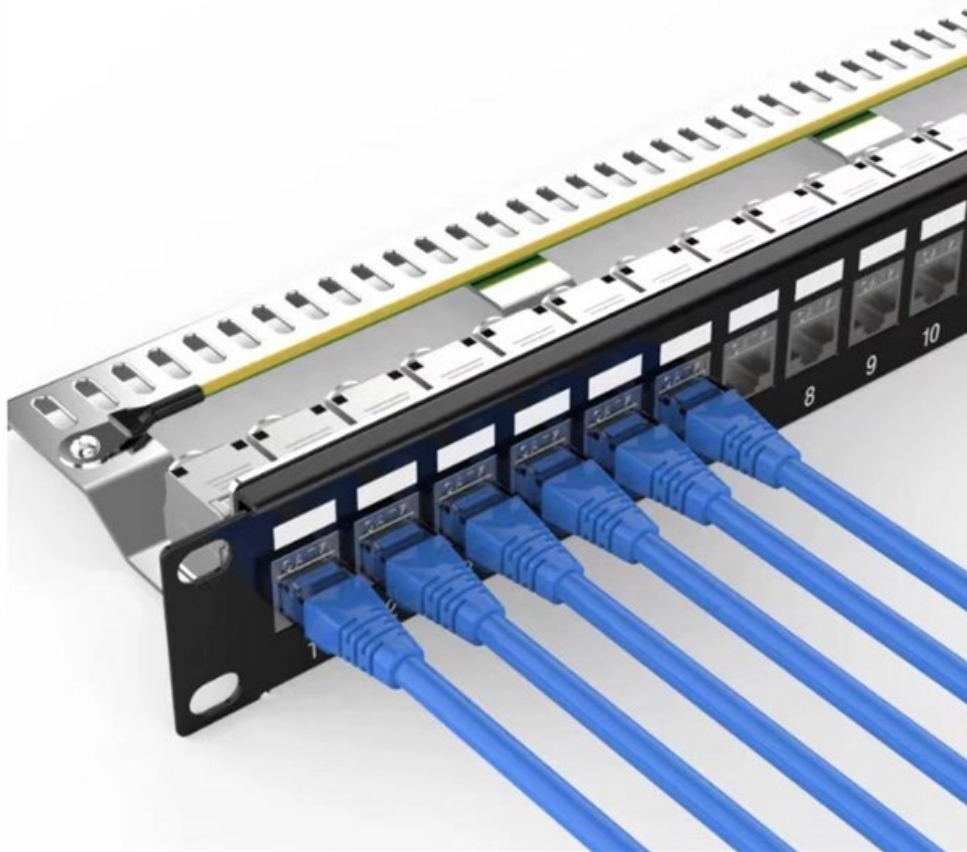


Cable Manufacturer Cable Tray Installation





Cable Manufacturer Cable Tray Installation



Cable tray

ABB designs and manufactures cable tray systems, including perforated tray, cable ladder, channel tray and strut (metal framing), directly from production facilities in

A Guide to Installing and Supporting Electrical Cable Trays

This guide covers the critical steps, from selecting the right electrical cable tray and performing accurate cable fill calculations to managing a safe cable pull through



Mastering Cable Tray Installation , Step-by-Step Guide for a Seamless

Mastering cable tray installation is crucial for creating a safe, organised, and efficient cable management system. By following this step-by-step guide, you can ensure a seamless setup that

Cable tray manual

These documents: ANSI/NEMA VE-1, Metal Cable Tray Systems; NEMA VE-2, Cable Tray Installation Guidelines; and NEMA FG-1, Non Metallic Cable Tray Systems, are an excellent industry resource in



Cable Tray Installation

Whether you're building a commercial setup or upgrading an industrial plant, proper cable tray installation ensures neat wiring, safe access, and easy maintenance. But before you lay the first tray



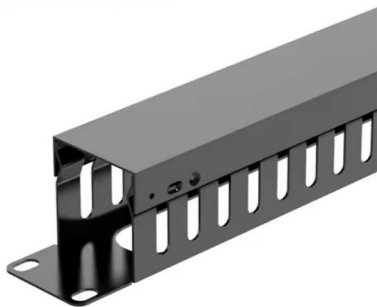
Cable Tray Technical Guide A practical guide to product selection and

Cable Tray Technical Guide A practical guide to product selection and installation This guide for engineers and installers has been developed by ABB as a practical reference regarding cable tray



Installation Products , ABB Electrification U.S.

ABB Installation Products is powering and protecting your world through reliable electrical products in sustainable ways. As electrical infrastructures age and new demands for power capacity increase,



EzyStrut , Cable & Pipe Supports



Mesh Cable Supports EM2+ Mesh Cable Tray is supplied with pre-fixed joiners, reducing installation time and labour costs on your next project. Fire Rated



Outdoor PVC Extrusion Plastic Cable Tray Profiles for Protector High

Key attributes Type plate Material Plastic, PVC Working Temperature -20 °C ~ 60 °C, 40 °C ~ 85 °C Characteristics Fire Retardant, Halogen Free, Heat Resistant, Rigid, Uv Resistant Application

Cable Tray Technical Guide A practical guide to product selection and

A practical guide to product selection and installation This guide for engineers and installers has been developed by ABB as a practical reference regarding cable tray characteristics, installation, and



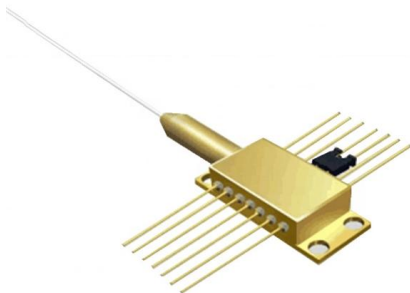
How to Install Cable Tray: A Comprehensive Guide to Different Cable

Welcome to our step-by-step guide on installing cable trays! In this video, we'll explore the different types of cable trays available and provide detailed instructions for their installation.



FRP Cable Tray , Cable Tray Support

FRP Cable Tray System Overview FCT cable tray made of corrosion resistant fibre reinforced plastic, comes in standard height of 50mm and 80mm. FCT FRP Cable Trays are designed specifically for

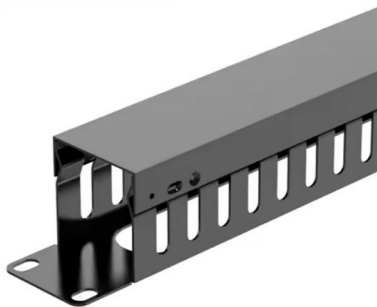


Cable Tray and Reels , Wire and Cable Management

Fast installation with dependable support. Everything you need to build a cable management system, including Cablofil wire mesh cable tray, ladder cable tray,

CABLE TRAYS GENERAL INFORMATION AND

General information of Kiraç Metal Cable Trays and installation guide are arranged in accordance with IEC 61537 standards and this document has been prepared for



B-Line series Cable Tray Design Considerations

Our wind certification report provides you with list of acceptable B-Line series cable tray supports, fittings and covers based off of the environmental conditions, cable loading, and type of cable tray in your

Cable Trays , Cable Management Systems ,

Snake Tray manufactures cable trays, power distribution solutions and cost-effective cable management systems for data centers, solar installations, transit & more.



Technical Guidelines for Cable Tray Installation and

Cable tray installation must comply with specific technical standards to ensure electrical safety, system reliability, and long-term maintainability. This document

Cable Tray Installation Guide

In this helpful guide, we break down the importance of cable trays and how to manage installation in a few simple steps.



Cable Tray Installation

Ensure safe and efficient cable management with expert cable tray installation by Elcon Global - your trusted cable tray manufacturer. Contact us today! FAQs 1. What are the guidelines for cable





Eurostrut Cable Trays , cable tray, cable route and

Cable Trays Clear cable routing - Organized and safe cable management, easy maintenance, helps prevent failures. Strong and durable - Made of hot-dip



Cable Tray Installation and Cable Handling Method

Cables must be installed in the designated cable trays as specified in the contract drawings. Install cables neatly and professionally, adhering to the provided

EZ-Path Cable Tray Retrofit Device

The EZ Path® Cable Tray Retrofit Device provides a fast, code-compliant way to restore firestopping performance in cable trays with up to 100% visual fill.



Best Practices for Installing Cables in Trays

Learn the best practices for installing cables in trays. This guide covers essential steps, technical requirements, and key details



Cable Tray and Conduit Installation Method Statement

Step-by-step cable tray and conduit installation method with safety, quality and inspection procedures as per IEEE standards.



Ladder Trays , Cable Tray and Reels , Wire and Cable Management

Ladder Trays Ladder 3D Drawings Explore our full collection of Metallic Ladder 3D Drawings, including horizontal fittings, vertical fittings and metallic tray.

Master Cable Tray Installation: A Professional Step-by

Learn how to install cable trays for large-scale projects with our professional, step-by-step guide covering industry standards, safety protocols,



Contact Us

For datasheets, pricing, or custom high-speed optical interconnect solutions, please visit:
<https://www.syropy.com.pl>