

CE Certified Standalone Switch QSFP-DD





CE Certified Standalone Switch QSFP-DD



QSFP-DD CONNECTORS & CABLE ASSEMBLIES PRODUCT

The QSFP-DD portfolio's backwards compatibility allows existing QSFP modules to be plugged into QSFP-DD ports. Our QSFP-DD cages feature a proprietary heat sink design, making them the only

QSFP-DD-400G-ZR-DWDM

This document provides an overall description of the CE6800& 8800& 9800 series switches hardware that V300R020C00 and later versions, helping you obtain detailed information about each chassis, power

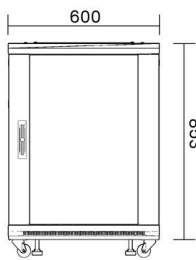


Cisco 400G QSFP-DD High-Power (Bright) Optical

Learn how Cisco 400G QSFP-DD High-Power (Bright) Optical module's small size and low power make it an optimal choice for a wide range of

QSFP-DD Connectors, Cages and Cable Assemblies

TE's QSFP-DD 2x1 cages and connectors add to the wide range of existing QSFP-DD surface mount products, providing customers with additional design options

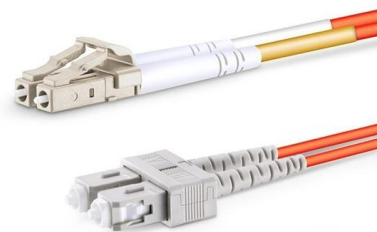


400G QSFP-DD Cable and Transceiver Modules Data Sheet , FS

Certified and tested on Cisco, Arista, Juniper, Dell QSFP-DD ports for superior performance, quality, and reliability. For more details, refer to the FS Assured Program for Transceivers High-speed electrical

FS Community

Hier sollte eine Beschreibung angezeigt werden, diese Seite lässt dies jedoch nicht zu.



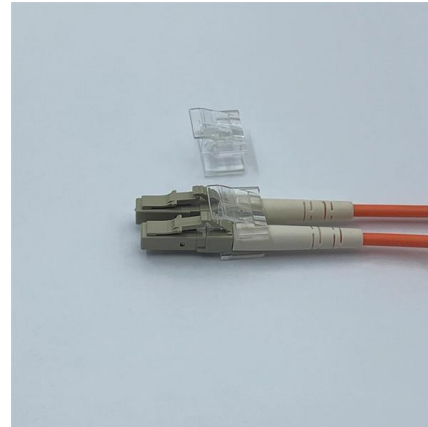
QSFP-DD Product Family » Acacia

Quad Small Form-factor Pluggable Double Density (QSFP-DD) solution that fits into high-density switch and router client ports for optical interconnect links



QSFP-DD Connectors , High Speed I/O , Amphenol

Amphenol's QSFP-DD high-speed connector family features a scalable, high-performance interconnect platform with 76 contacts on a 0.8mm

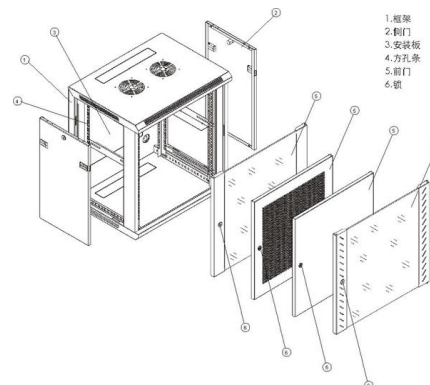


Huawei CE9855-32DQ Switch 32x400GE QSFP-DD

With the CE9855 architecture, the switch meets the demands of rapid cloud and virtualization adoption by delivering industry-leading 32x400GE QSFP-DD high

QSFP-DD Compatible Switches: Complete 2025 Vendor Guide

Find which switches support QSFP-DD modules. Our 2025 guide covers Cisco, Arista, Juniper and NVIDIA platforms with backward compatibility tips.



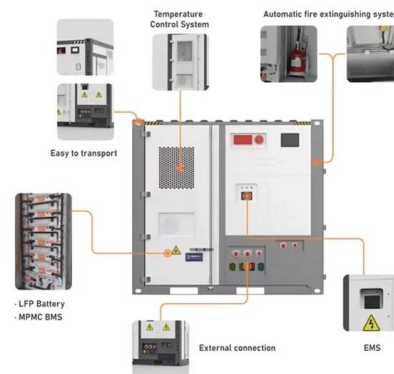
Cisco QSFP-DD Pluggable Open Line System (QDD)

The ability to extend the reach and capacity of a single fiber span in a Cisco Routed Optical Networking architecture is the standout value of this QSFP

Cisco-Compatible QSFP-DD Transceiver



QSFP-DD Transceiver for Connecting to Your Cisco Network Switch or Server This QSFP-DD transceiver allows you to connect a multimode fiber optic cable to a 400 Gbps network router, server



QSFP-DD Hardware

QSFP-DD/QSFP-DD800 modules should be isolated from the module's circuit ground, GND, to provide the equipment designer flexibility regarding connections between external electromagnetic

HPE Networking Comware Data Center Switch 48p QSFP28 100G 6p

This data sheet provides detailed information about HPE Networking Comware Data Center Switch 48p QSFP28 100G 6p QSFP-DD 400G 5960R



QSFP-DD Hardware

20 mechanical and thermal requirements of the pluggable QSFP Double Density (QSFP-DD/QSFP-DD800/QSFP- 21 DD1600) connector and cage system. QSFP-DD MSA family of modules and





QSFP Double Density (DD) Interconnect System

Amphenol Commercial QSFP Double Density (DD) Interconnect System is backwards mating compatible with QSFP products. The connectors

SUPPORTS DIN RAIL INSTALLATION

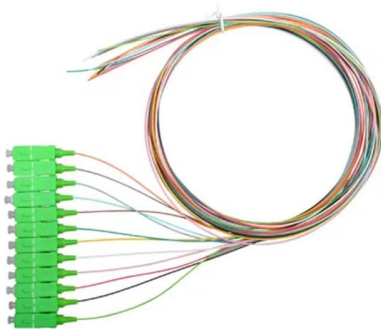


Specification - QSFP-DD

July 11, 2019 - QSFP-DD Hardware Specification for QSFP DOUBLE DENSITY 8X PLUGGABLE TRANSCEIVER - Rev 5.0 May 8, 2019 - Common Management Interface

QSFP-DD Series

QSFP-DD can enable up to 14.4 Tbps aggregate bandwidth in a single switch slot. QSFP-DD electrical interfaces will employ eight lanes that operate up to 25 Gbps NRZ modulation or 50 Gbps PAM4



All About QSFP Cables, Connectors, and More

Amphenol is your industry leader when it comes to the innovation, design, manufacture, and supply of high-performance cable connectors and



Contact Us

For datasheets, pricing, or custom high-speed optical interconnect solutions, please visit:

<https://www.syropy.com.pl>