

C-type cable tray crane





Overview

Gentle cable clamps prevent the cables from sharp bends Dustproof ball bearing (wheels) guarantee smooth running in the rails Crane and conveying machinery For hoisting equipment and conveyor systems Mechanical engineering Washing plants Not suitable for applications in explosive environments Note Round- and flat cables are not allowed to be combined side by side or below each other Don't assemble more than three clamps for round cables below each other Bending radius on. Note CIBES® is a registered trade mark of INOMEK AB Photographs and graphics are not to scale and do not represent detailed images of the respective products.



C-type cable tray crane



B-Line series Cable Tray Design Considerations

As an industry leader in cable tray, Eaton offers one of the widest ranges of cable management solutions available in the market today with its B-Line series portfolio. With unmatched quality and service, we

Crane Festoon

C-rail (galvanized or stainless) and I-beam cable trolley systems for hoist, trolley and long-travel. Builder sizes carriers, loop depth, cable section and gives a budget estimate.



Crane Cable Management & Festoon Kits

Crane Cable Management and Festoon Kits
Welcome to the ULS C-Rail Festoon Systems Section offering a comprehensive range of heavy-duty Cable Festoon

Types of Cable Trays: Ladder, Perforated, Basket, Solid

Cable trays support insulated electrical cables in industrial and commercial settings. There are several types of cable trays, including ladder,



Cable Tray Near Cranes Code Considerations and Alternatives

Explore NEC section 610.31 (6) concerning cable tray installations near cranes. Discover why cable trays are typically prohibited in hoistways and crane aisles due to potential damage and reliance



Microsoft Word

SECTION C: STORAGE All tray items whether stored outside or indoors, should be placed on sufficient support, to enable future mechanical lifting. Trays and fittings should be stacked by their physical



Cable & Cable Trolley

We provide complete solution for cable management system & crane electrification system. Our cranes are designed with precision, durability, and efficiency to meet





What Is A Cable Tray? 5 Types Of Cable Trays

A cable tray is a structural system used to support and manage electrical cables in various settings, such as industrial, commercial, and residential environments.



C30 C-track Cable End Trolleys Festoon System for

KOMAY Festoon Cable Systems support conductor cables (flat or round) and hoses (hydraulic and pneumatic applications) for delivering power & control to mobile

SKTREX Cable Trolley for Electric Hoist Cable,C Track

SKTREX Cable Trolley for Electric Hoist Cable,C Track Rail



LoRawan outdoor base station

- * Industrial Internet gateway
- * Compatible with LoRaWAN network,
- * ClassA/B/C mode
- * Support 8/16 channel
- * Supports PoE power
- * supply and backup battery power supply
- * 10KV lightning protection



B-Line series Cable Tray Design Considerations

Is your cable tray system optimized for safety, dependability, space and cost savings? Cable tray (or cable ladder) systems are a popular alternative to electrical conduit systems, as they have an



Types of Cable Trays - Advantages, Applications and Sizes

Explore the types of cable trays, their advantages, applications, and standard sizes. Learn how they improve cable management and support various industries.



Cable Tray Type Selection

The cable tray types to choose from are ladder, ventilated trough, or solid bottom. What are the reasons for selecting a specific type of cable tray? The engineer or designer should select the type of cable

PRODUCT INFORMATION Cable trolley system for C-rails

Lapp Group offers a complete cable trolley system both for flat cables and for round cables.



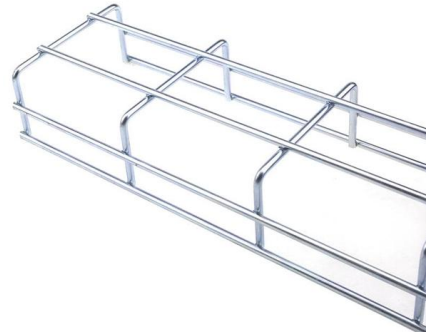
C-grid cable trays

Our C-grid cable trays including universal fastening material are an economical alternative to conventional cable support systems.



Cable & Cable Trolley

We are leading manufacturer of All types of C Rail Cable Trolley. Cable trolley used in cable management in moving machinery, crane winch, tower crane, conveyor,

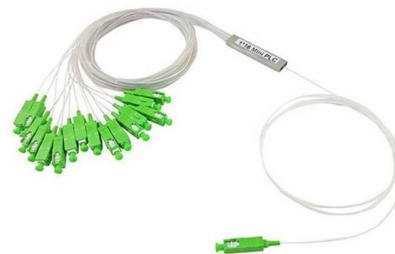


Cable Tray , EAE Electric , Medium & heavy duty cable

Explore EAE Electric's medium and heavy-duty cable tray systems designed for optimal cable management and durability in industrial and commercial applications.

Best Practice Guide to Cable Ladder and Cable Tray Systems

This guide covers cable ladder systems, cable tray systems, channel support systems and associated supports intended for the support and accommodation of cables and possibly other electrical



C-track, Girder Cable Trolleys and Conductor Rail

The system components have been designed to work with flat cable of varying thicknesses, widths, diameters and weights. The system is such that it can also



Cable Tray for PDF

Ladder type cable trays consist of two side rails with rugs riveted to the bottom flange of the side rails. This type of cable tray provides maximum ventilation to heat producing cable such as power cables.



C Track Cable Trolley

C Track cable trolley is an ideal logistics power supply system, suitable for indoor and outdoor, dusty and large temperature difference. At present, cable trolley is

Cable Festoon Systems with C-rail

For instance on indoor cranes, in workshops or in outdoor areas, to implement a flexible transmission of current and compressed air or media. The C-rails are



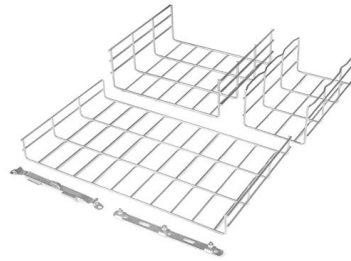
Types of Cable Trays - Purpose, Advantages,

Cable tray is alternatives to wire ways and electrical conduits, which completely enclose cables. Study types of cable trays, purpose, advantages.



C Track System

EuroHoist cable trolleys not only deliver power and control to mobile equipment which has reciprocal motion but also support large quantities of data cables



C30 C-track Cable End Trolleys Festoon System for

Festoon Cable Systems is very important part for crane components, also named C rail festoon system, C track festoon system, which working as festoon cable

Fiberglass Cable Tray

All cable tray straight sections are available in polyester or vinyl ester resin. Cable tray sections, except for Low Profile Type LC, can be provided with fiberglass



Festoon cable systems

Festoon cable systems with a variety of cable trolleys for accommodating flat or round cables and hoses to feed power to overhead cranes.



Hold down clamp , Z clamp , GRP Cable tray

Hold Down Clamp also known as Z clamp is a quick & easy method of securing GRP Cable tray/Cable ladders to the supporting structure. They have a single



Contact Us

For datasheets, pricing, or custom high-speed optical interconnect solutions, please visit:
<https://www.syropy.com.pl>