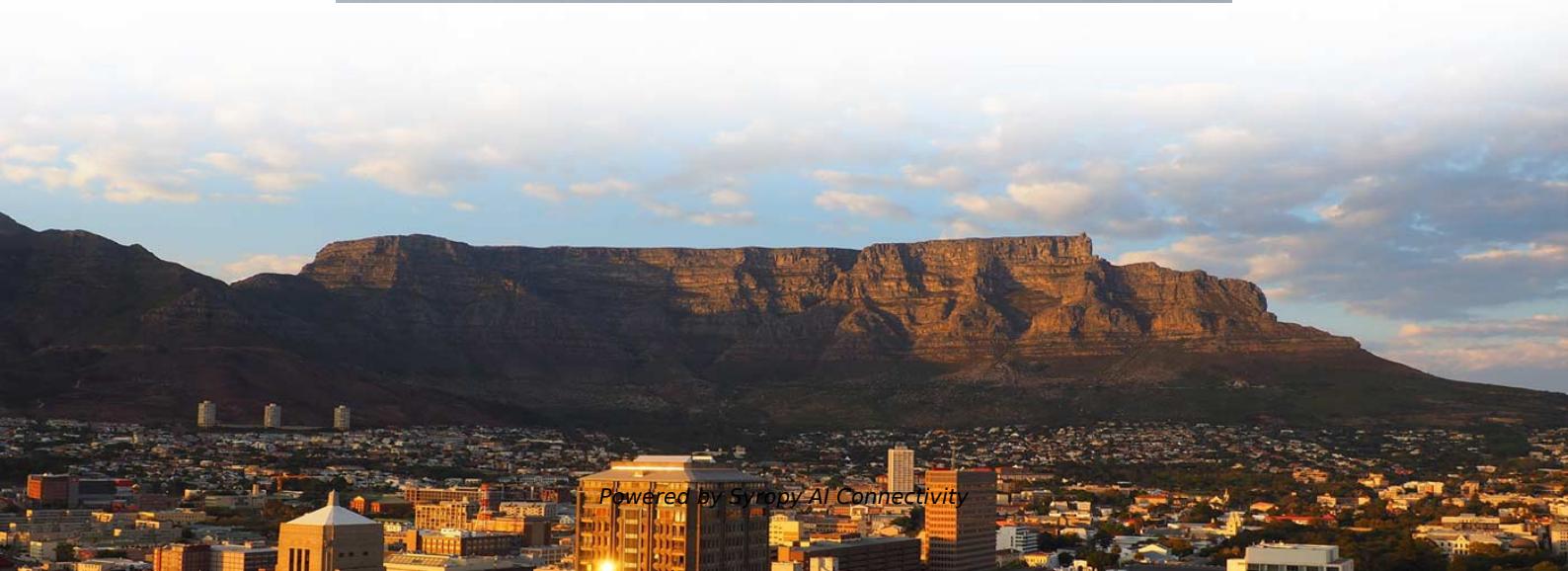


# **Bulk Procurement of Modular Data Center IP67**





## Bulk Procurement of Modular Data Center IP67

---

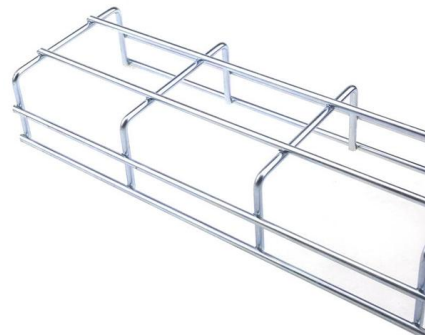


### **BIM For Data Centers: Powering Hyperscale Facility**

Data centers serve as the foundation of our digital world. They support everything from cloud services to AI and data security. The modular data center market

### **Modular Data Center Market Size, Growth 2026-2036**

The modular data center market is segmented by Component (Solutions, Services), Data Center Size (Large Data Center, Small Data Center,



### **Prefabricated Data Center**

Sustain critical operations that simply can't go down with best-in-class uninterruptible power supplies (UPS) and power distribution units (PDU) that keep data center infrastructure up and running.

### **Prefabricated and integrated data center solutions**

In this white paper, ABB experts reveal 4 strategies to cut deployment time by up to 50%. This allows operators to meet the growing demands in record time because



**Delivering rapid deployment of a complete, turn-key modular data center**

The portable modular data center is a compact, IT vendor-neutral, high-density data center solution that enables you to easily create or expand your existing data center floor space without major



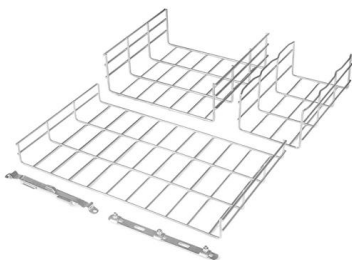
**Modular Data Center Market Size & Growth Drivers**

Modular Data Center Market Size & Share Analysis - Growth Trends and Forecast (2026 - 2031) The Modular Data Center Market Report is



**Europe Prefabricated and Modular Data Centers Market Forecast,**

Europe's prefabricated and modular data centers market was valued at \$1 billion in 2024 and is expected to grow at a CAGR of 15.05% and reach \$4.08 billion by 2034.





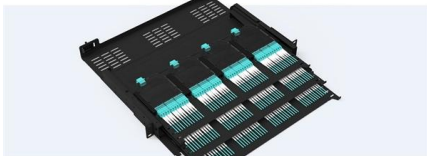
## What Is a Modular Data Center? A Guide

What is a Modular Data Center? A modular data center is a data center that can be deployed just about anywhere and is composed of prefabricated equipment that



### Pre-Terminated Patch Panel

- Standard 19" width
- Max 144 fibers in 1U
- Ultra-High Density Ready



Dual-row, easy install & maintain



Lightweight ABS NPS cassette



Premium sheet metal with mirror coating

## OEM Data Center Enclosures for Global Procurement

As an experienced OEM data center enclosure manufacturer, we specialize in long-term procurement partnerships tailored to hyperscale and

## What Is a Modular Data Center? A DCK Guide

The concept of a modular data center solution has eluded definition, if not comprehension. Through the short history of modular solutions and vendor



- Fine workmanship
- High-quality chip

## Prefabricated Data Center Modules , Schneider Electric USA

Start your sales inquiry online and an expert will connect with you. Where to buy? Easily find the nearest Schneider Electric distributor in your location. Find support resources for all your needs, in one place.



## Modular Data Centers , iM Data Center Solutions

We sell or lease our facilities, and also bundle our data centers with network, hardware, software and services as end-to-end, subscription



## Exploring Modular Data Centers: Benefits, Design, And

Understand the benefits and design considerations of modular data centers, including deployment strategies and case studies.

## Top 7 Modular Data Center Manufacturers

Some of the top manufacturers of modular data centers include HPE, IBM, Eaton, Schneider Electric, Huawei, Dell, Vertiv, and others.



## Modular Data Center , CenCore Prefabricated Secure

From IL2-IL6 workloads to SCIF or SAPF builds, our data center containers can be configured for enterprise or government use. Shielding, TEMPEST compliance,



## Modular Data Centers , iM Data Center Solutions

iM manufactures user-friendly, well-priced, intuitive, seamlessly expandable modular data centers with superior functional intelligence.



## Prefabricated Modular Data Center , Huawei Digital Power

Huawei delivers prefabricated modular data center solutions with One Module One DC and container data center designs, enabling fast deployment and scalable

## The Complete Guide to Modular Data Center Solutions

Cooler data centers - Prior to the introduction of modular data center solutions, cooling was primarily the biggest data center expense, accounting for 40-80 percent of total operating costs.



4-port 8-core LC wall-mounted fiber terminal box (empty frame)

Surface painted    Scientific plate fiber    Cold-rolled steel plate



Lifetime quality assurance

Free shipping

Customizable for telecommunication

## Modular Data Centre by Bull

Building on Bull's recognised expertise in high-performance computing and resilient infrastructures, we deliver modular data centres that offer reliable scalability, optimised energy efficiency, and



## The Complete Guide to Modular Data Centers: From

The digital world's insatiable demand for compute power and rapid deployment speed is fundamentally changing how we build data centers. The traditional,



### Modular Data Centers: When They Work, and When

Modular data centers offer fresh opportunities for the industry, but that doesn't mean they are right for every occasion.

### Modular Data Center Market

A modular data center is a prefabricated, portable data center solution that can be rapidly deployed and easily scaled. It consists of standardized components, such



### Data Centre Supply Chain

Our database of hundreds of players in the data centre supply chain shows that there are many vendors, suppliers, and integrators in the data centre ecosystem that are small and could be



## How modular data centers and BIM meet growing

Discover how a Building Information Management (BIM) approach accelerates deployment and enhances modular data center solutions.



## Modular Data Center Market Size, Share, Growth Report 2028

The global modular data center market by investment was valued at USD 18.64 billion in 2022 and is expected to reach USD 41.87 billion by 2028, growing at a CAGR of 14.44%.

## PCX Corp

Hier sollte eine Beschreibung angezeigt werden, diese Seite lässt dies jedoch nicht zu.



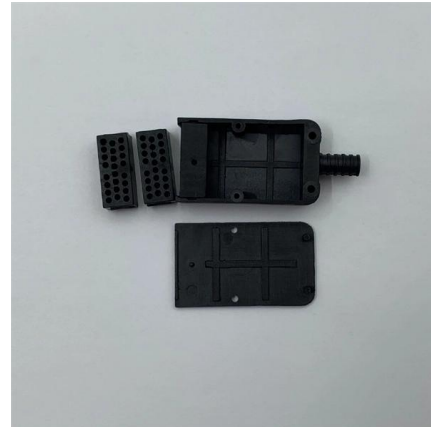
## Modular Data Centers That Propel Innovation

The traditional data center tipping point While advancements in artificial intelligence, edge and high-performance computing help drive innovation across industries, they also put the squeeze on



## Types of Prefabricated Modular Data Centers

Executive summary Data center systems or subsystems that are pre-assembled in a factory are often described with terms like prefabricated, containerized, modular, skid-based, pod-based, mobile,



## Modular Data Centers: The Rising Trend and Ideal

Meanwhile, ongoing supply chain disruptions and imbalances will make out-of-the-box solutions like modular units all the more valuable. On top of

## Best Practices for Planning and Deploying Modular Data

This guide details modular data center best practices to help optimize the way organizations acquire and use modular builds.



## Contact Us

---

For datasheets, pricing, or custom high-speed optical interconnect solutions, please visit:  
<https://www.syropy.com.pl>