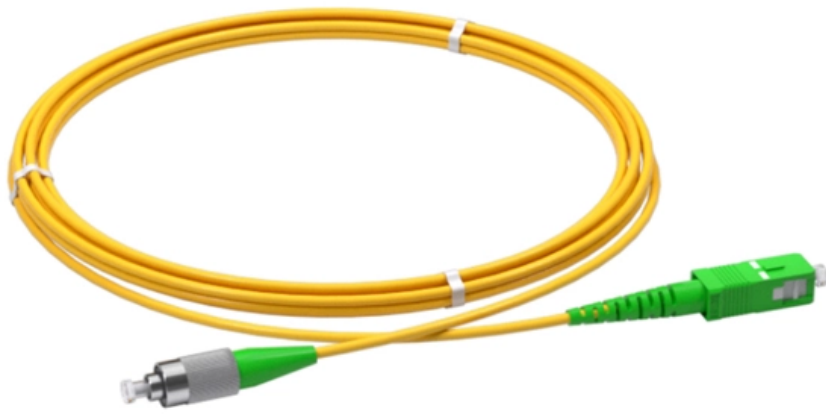


Bosnia and Herzegovina Integrated Distribution Cabinet 100kW





Bosnia and Herzegovina Integrated Distribution Cabinet 100kW

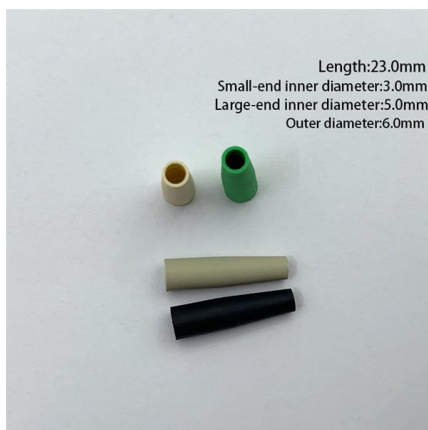


Bosnia and herzegovina solar energy storage cabinet lithium battery

BiH laying groundwork for battery energy storage systems Bosnia and Herzegovina is set to have its first battery energy storage systems installed in the transmission network, which will provide auxiliary

Bosnia And Herzegovina S New Energy Storage Cabinet

The All-in-One ESS Cabinet is an advanced energy storage solution designed to meet the needs of modern businesses. Equipped with CATL LFP battery cells and an intelligent liquid cooling system, it



Price of

Price Structure The total price for electricity paid by customers includes the following: costs for purchase of electricity covers, fee amount referring to costs of transmission and distribution network and fee for

HUA POWER C & I BESS Cabinet - 100kW/215kWh PV + Battery

The HUA POWER 100kW/215kWh PV + Battery ESS All-in-One Cabinet is built for high-demand utility and industrial applications. With 100kW PCS and 215kWh of LiFePO4 battery storage, it delivers



Contact Us

Get in touch with us! o DC & AC Cabinets. Albat
d.o.o. Sarajevo energy susystems.



Contact Us

ALBAT doo Sarajevo - Headquarters Igmanska 36
71320 Vogosca - Sarajevo Bosnia and
Herzegovina +387 33 764 075 +387 61 950 950
+387 33 764 076



100kW 215kWh adayo distributed energy storage

Technical Specifications for 215kWh PV-ESS
System 100kW 215kWh ADAYO distributed ESS
cabinet for industry and commercial UPS
solutions Introduction



BOSNIA AND HERZEGOVINA

With the Council of Ministers adopting the Clean Energy Package and the Decarbonisation Roadmap in November 2021, the Energy Community confirms its readiness to join the European Union and other



Electrical cabinets Manufacturer/producer Bosnia and Herzegovina

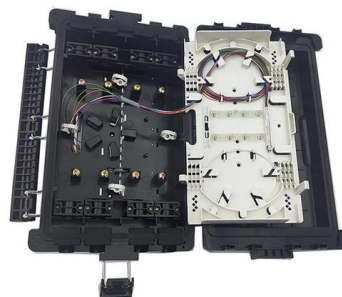
All suppliers for electrical cabinets
Manufacturer/Producer Find wholesalers and
contact them directly B2B marketplace Find
companies now!



Bosnia And Herzegovina 1mw 2mwh Integrated Photovoltaic Storage

Bosnia and Herzegovina Energy Storage Station
Container Project Overview

Located in Bosnia and Herzegovina, this project
employs an integrated photovoltaic-storage
solution offering significant



Open tender -- EGG2-RfQ

Bosnia & Herzegovina invests in road and rail
networks, energy infrastructure, and water
systems to improve regional connectivity and
economic cohesion. EU pre-accession and
structural funds





Bosnia and Herzegovina: EPBiH advances plans for independent

Under the Electricity Law, the distribution system operator must be fully separated from EPBiH's core operations by August. This deadline, set two years ago, remains one of the most



100kW/215kWh Integrated Energy Storage Cabinet as

The 100kW/215kWh integrated energy storage cabinet is one of the classic solutions in recent development of C& I energy storage.



production and installation of integrated ac/dc power supply cabinets

Tender for production and installation of integrated ac/dc power supply cabinets Tender global procurement Notices world wide



EGG2-RfQ-Production and installation of integrated ACDC power

Bid for tender to EGG2-RfQ-Production and installation of integrated ACDC power supply cabinets by UNDP in Bosnia and Herzegovina. Access documents, deadlines, and CPV details on





Portal javnih nabavki

Search for the specific tender using search filters and subscribe to the tender in order to get notifications in case of amendments of the tender document. If you need support with the online

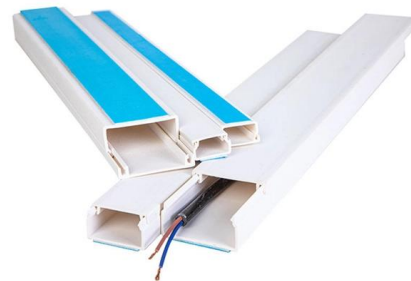


100KW PLC distribution cabinet-LED Display Distribution Cabinet

The PLC intelligent power distribution box is equipped with PLC as the interlligent control unit along with monitoring sensors to reslize the external environment monitoring and real-time control of abnormal

Bosnia and Herzegovina Energy Situation

The energy sector in Bosnia and Herzegovina involves various key actors responsible for the generation, transmission, distribution, and regulation of



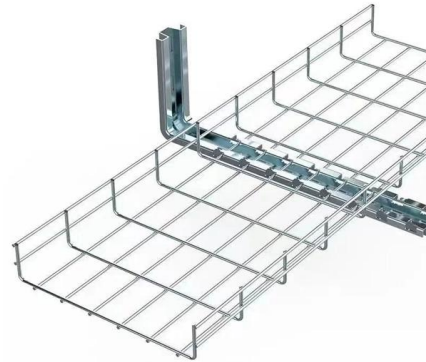
Electricity law and regulation in Bosnia & Herzegovina , CMS

Are you looking for information on electricity law and regulation in Bosnia & Herzegovina? This CMS Expert Guide provides you with everything you need to know.



Price of outdoor battery cabinet BESS in Bosnia and Herzegovina

Bosnia and Herzegovina Outdoor Battery Cabinet BESS What is a Bess battery? The small BESS series is a fully integrated battery energy storage system that's built to last.



Electrical Equipment and Solutions , Electrical equipment

"Elektroaparatura is an excellent supplier of distribution cabinets for solar power plants and equipment for substations. Their product quality, expertise in the field of energy and punctuality in delivery make

iSmart Series Integrated Cabinet Solution

A single cabinet is a complete system, which can be easily and quickly expanded to 2-3 cabinets side by side. Efficiency and energy saving Proximal refrigeration,



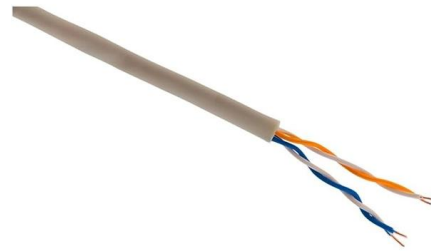
Electrical cabinets Manufacturer/producer Bosnia and Herzegovina

PIMS Elektro Oprema d.o.o. was founded in 2009. as a small company with 4 employees. Today we manufacture with 90 people in a production area of 2.400 m2 switch - and control cabinets,



PowerPoint Presentation

Bosnia and Herzegovina is currently working on the development of the Integrated Energy and Climate Plan of BiH for the period 2021-2030. Parallel to the development of NECP BiH 2021-2030, entity



Bosnia and Herzegovina

Bosnia and Herzegovina achieved certain progress by the adoption of rulebooks transposing the energy labelling and eco-design delegated regulations which were developed during the previous reporting

DC-DC Cabinet Solutions , Zekalabs

Zekalabs DC-DC and AC-DC Cabinet Solutions offers state-of-the-art power conversion for your engineering needs. Our cabinets are designed to provide



100kW DC 200V~750V AC/DC power module Optical

Application: Suitable for small and medium-sized industrial and commercial energy storage system scenarios, which can be used for peak and valley arbitrage, peak





100kW DC200V~750V AC/DC power converter Energy

This Energy Storage Hybrid PCS Cabinet: A versatile solution for industrial and commercial energy storage. Seamlessly integrates grid-connected and off-grid



Contact Us

For datasheets, pricing, or custom high-speed optical interconnect solutions, please visit:
<https://www.syropy.com.pl>