

Bolivian supplier 800G optical module 10G





Bolivian supplier 800G optical module 10G

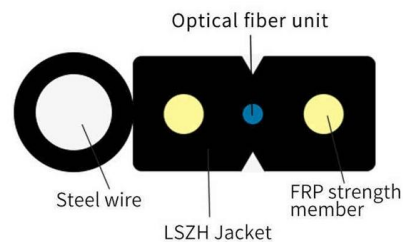


800G Optical Transceiver Modules , Broadex Technologies

800G optical transceivers are a new generation of high-speed optical transceivers. With a transmission rate as high as 800Gbps, they can meet the high bandwidth requirements of large-scale data

SFP Modules Supplier , 1G/10G/25G/100G Fiber Optic

From legacy 1G SFP uplinks to hyperscale 800G OSFP AI clusters, our modules are built on MSA standards and powered by top-tier DSP chips (Broadcom/Inphi). We



Fiber Optic Transceiver Modules Manufacturer & Supplier

10Gtek provide cost-effective & full range of fiber optic transceivers through stringent testing processes use for any network architecture.

Optical Transceivers

Optical transceivers have revolutionized data transmission, providing high-speed, long-distance, and secure data transmission capabilities. Optical transceivers



2026 Global Optical Module Selection Guide (Website Homepage)

---- Explosive Growth of 800G/1.6T Technologies, Scene-Based Selection + Finisar Original Solutions in One Stop In 2026, driven by AI computing power, optical modules have entered



Optics Transceiver Module Market 2025

Most demand comes from legacy network upgrades rather than cutting-edge deployments, with 10G and 25G modules still dominating. Economic instability and currency fluctuations make long-term



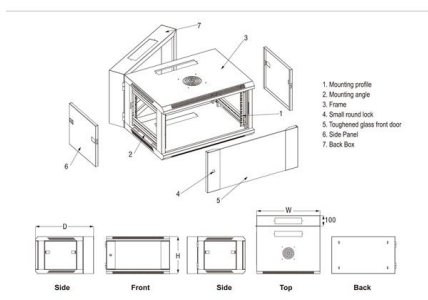
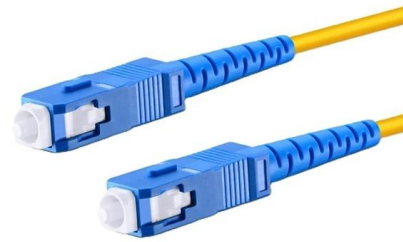
Optical Transceiver Module

Fiber optic module manufacturer, ETU-Link supply full model optical transceivers, including standard 8g/10g/25g/40g/100g sfp+ optical modules and



Optical Module & Fiber Optic SFP Module Factory Manufacturer

Boost speeds with an effortless optical module transceiver. Find the best fiber optic module and SFP optical module here.



Optical Transceivers

These compact modules convert electrical signals into optical signals--and vice versa--supporting various data rates like 10G, 25G, 40G, 100G, 200G, 400G,

Turkmenistan wholesale 800g optical modules 1 Germany

All Companies and suppliers for turkmenistan-wholesale-800g-optical-modules-1 Find wholesalers and contact them directly Leading B2B marketplace Find companies now!



800G Optical Modules Explained: Standards, Types

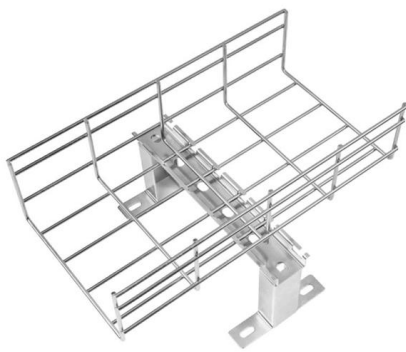
Discover everything about 800G optical modules--standards, packaging, types & applications. Learn how they power AI, HPC & next-gen data





800G LPO QSFP-DD800 DR Optical Transceiver

FiberMall LQSFP-DD-800G-DR8D is a large-capacity optical module with high efficiency, and low power consumption, and is suitable for high-speed network

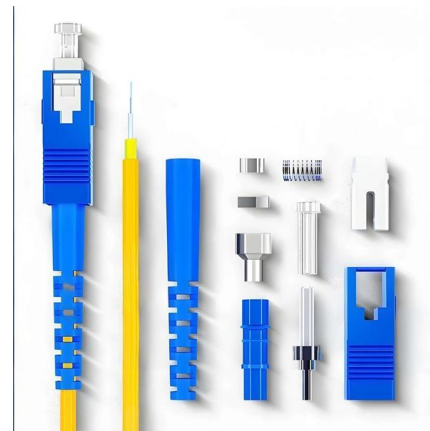


The Future of 800G Optical Modules: Market Forecast

The 800Gb and beyond connectivity conundrum
The global demand for high-speed optical modules is accelerating, and 800G modules are at the

800G Optical Transceiver Modules , OSFP & QSFP

These modules are the backbone of AI-driven data centers, available in OSFP and QSFP-DD800 form factors. UnitekFiber provides a comprehensive 800G



Optical Transceivers , Fiber Optic Transceivers , Form

Designed for 800Gb/s data rate links, these OSFP optical modules support 106.25Gb/s per channel with low power consumption. Featuring LC or



AOC, DAC, Fiber Optic Transceivers , One-Stop Shop

800G/400G OSFP-DD Transceivers 400G/200G Transceivers 100G/40G Transceivers 25G/10G/1.25G Transceivers 100G/25G DAC SAS NIC



10-800G Optical Transceiver , Wholesale Optical

Wholesale 10G-800G optical transceivers by Fibrecross: high-performance, cost-effective modules with dedicated support for data centers infrastructures.

Understanding 800G Optical Modules: Types, Applications, and

Optech: A Leader in Optical Transceivers and Network Solutions Optech, a professional optical transceiver manufacturer, provides a wide range of optical solutions including 800G optical modules.



Global 800G Optical Module Market 2024 by Manufacturers, Regions,

Company Analysis: Report covers individual 800G Optical Module manufacturers, suppliers, and other relevant industry players. This analysis includes studying their financial performance, market



Top Optical Transceiver Manufacturers List (2024)

InnoLight offers a complete line of optical modules for 100G, 200G, 400G, and 800G applications. Like II-VI (Finisar), InnoLight focuses on the high



The Ultimate Guide to SFP Modules (2026): Types,

Confused by SFP vs SFP+? Read the definitive 2026 guide on SFP modules. We explain Single Mode vs Multimode, DDM diagnostics, and how to choose the right

Optical Transceivers Manufacturer

10Gtek® is a trusted supplier of optical transceivers, who researches, designs, manufactures and markets optical transceivers for various applications & data rate.



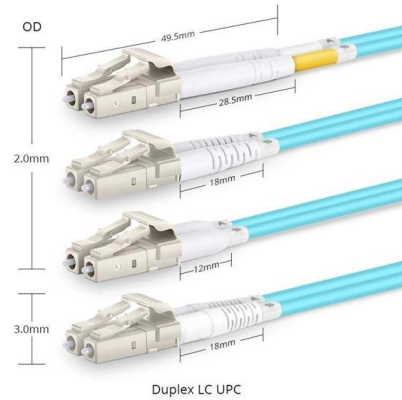
LightCounting :: Scale-up networks in AI Clusters is a

A surge in AI development created a new wave in demand for optical connectivity in 2023-2025 and it will sustain the market's growth through 2030. The Figure below



SFP Modules Supplier , 1G/10G/25G/100G Fiber Optic

ABPTEL Optical Transceivers: 1G to 800G
Compatibility Solutions ABPTEL (AIMIFIBER)
engineers high-performance optical transceivers
for mission-critical



Equipped with a removable **Mounting Plate** inside the enclosure, enabling customized drilling and secure component mounting.

Top Optical Transceiver Factory - 800G & Fiber Optic Modules

Sourcing optical transceivers and fiber optic modules directly from a dedicated factory offers distinct advantages in meeting these needs. A specialized factory can deliver tailored solutions--from

Global 800G Optical Module Supply, Demand and Key Producers,

The global 800G Optical Module market size is expected to reach \$ million by 2030, rising at a market growth of % CAGR during the forecast period (2024-2030).



Contact Us

For datasheets, pricing, or custom high-speed optical interconnect solutions, please visit:
<https://www.syropy.com.pl>