

Belgian Cold Aisle 42U





Belgian Cold Aisle 42U



Modular Cold Aisle Containment w/ 42U 600mm x

AZE offers smart modular customizable hot and cold aisle containment solutions with 42U to 52U floor standing server rack enclosures. Save energy, reduce hotspots

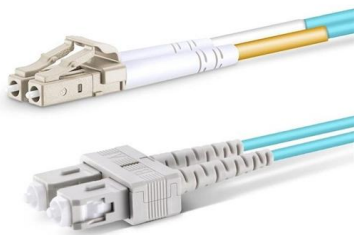
42U Custom Steel Prefabricated Data Center Room Hot Cold Aisle

42U Custom Steel Prefabricated Data Center Room Hot Cold Aisle Containment Solution 19 Inch Cabinet Server Equipment Rack Stock



COLD AISLE CONTAINMENT

The cold aisle containment with modular design is fully compatible with Lux's standard 37U, 42U, 45U and 47U cabinets in row-based. Our cold aisle



Hot/Cold Aisle Containment , AZE

Cool Shield Aisle containment solutions reduces server row temperatures in active data centers. Contact us info@azesystems to build your data center with our



Ordering information

NO.	1	2	3	4
Model	P3401	P3402	P32003	P33004
Product name	Patch Panel	Patch Panel	Patch Panel	Patch Panel
Illustration				
HU	1	2	3	4
Maximum number of cores	96	192	288	384
Product size (including modules and adapters)	482.0*208.7*43.7mm	482.0*208.7*88.0mm	482.0*208.7*132.3mm	482.0*208.7*177.0mm
Standard color code	RAL9005	RAL9005	RAL9005	RAL9005



Modular Cold Aisle Containment w/ 45U Server Rack

AZE offers smart modular customizable hot and cold aisle containment solutions with 42U to 52U floor standing server rack enclosures. Save energy, reduce hotspots

Server contained cold aisle / 47U / 42U / data center

ADVANTAGES The assembly of racks in "Contained cold aisle" helps to ensure that 100% of the air blown by the air conditioners in the room is used by the servers. The air inlet temperature is



42U Server Cabinet Cold Aisle Containment Solution w/Aisle Sliding

Aisle containment ceilings, walls and end of rows are designed to help maintain optimal operating temperatures in server rooms and data centers, it has hot or cold aisle containment, which can offer



Server contained cold aisle / 47U / 42U / data center

A Contained Cold Aisle is made up of two spans of cabinets equipped with front and rear openwork doors. The central corridor between the two spans of racks is covered by tiles, closed at both ends



Hot/Cold Aisle Containment , Data Center Containment

An aisle containment system is a simple way to improve cooling efficiency in hot aisle/cold aisle rack configurations. Essentially creating a room within the aisle,

Aisle Containment , Vertiv Hot/Cold Aisle Containment

Find out how to improve your data center infrastructure efficiency, using the cold aisle containment or hot aisle containment solutions from Vertiv.



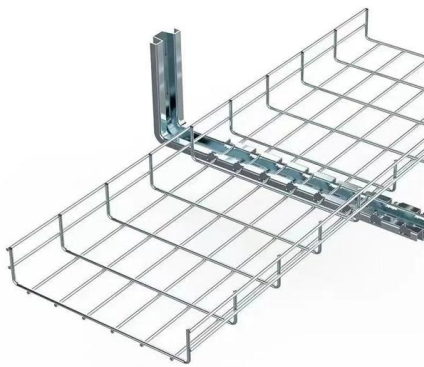
42u Network Cabinets for Data Centers Cold Aisle Containment

42u Network Cabinets for Data Centers Cold Aisle Containment Solution with Air Conditioner Precision for Computer Rooms in Stock



42u Network Cabinets Data Center Cold Aisle Containment Solution

Product descriptions from the supplier 42u Computer Room Solution Data Center Container Cold Aisle Containment with Air Conditioner Precision Aisle containment in the data center requires that



42U Server Rack Cold Aisle Containment System

The 42U Server Rack Cold Aisle Containment System Modular Data Center is engineered for high-density server deployments, combining robust stainless steel

Aisle Containment , Vertiv Hot/Cold Aisle Containment Solutions

Freestanding, Rack-independent system with the flexibility to maximize efficiency and capacity from the core to the edge for raised floor and slab data centers.



Cold Aisle Data Center Containment 42u 48u

Cold Aisle Data Center Containment 42u 48u, Find Details and Price about Rack Containment 42u Server Rack from Cold Aisle Data Center Containment 42u 48u



42u 48u Server Rack IDC Data Center Cold Aisle

AZE Server IDC Room Cooling Solution Precision Air Conditioner Server Rack Data Center Cold Aisle Containment In the modern data center landscape,

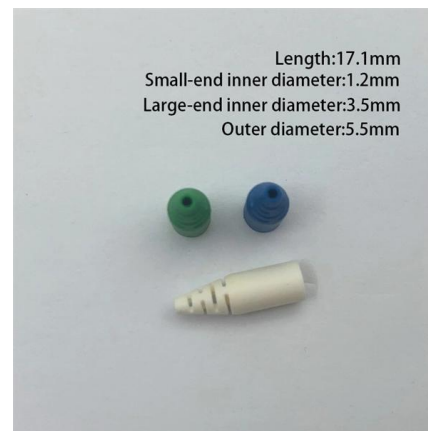


Cold Aisle Containment System

Cold Aisle Containment System Data Center 42U Network Cabinet offers customized size, durable finish, and modular design for optimal data room solutions., Alibaba

42u 1200mm Deep Data Center It Server Room Modular

42u 1200mm Deep Data Center It Server Room Modular Cold Aisle Containment Solution with Inrow Precision Cooling, Find Details and Price about Air Aisle



42U Server Rack Enclosure , Cold Aisle Containment

Hot and cold air containment systems designed to maximize cooling predictability,



Cold aisle + warm aisle enclosure

Used as an alternative to an additional sliding door. For use with ESV cabinets and leveling feet. Prevents the uncontrolled escape of air from the cold/hot aisle.

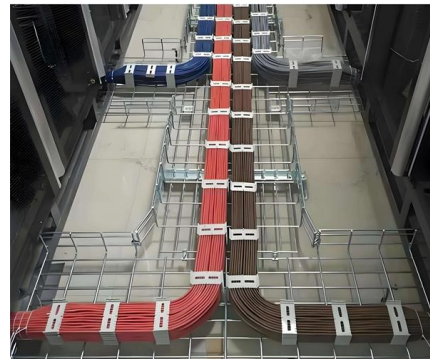


Confined Cold Aisle

Confined Cold Aisle Containment solution specially designed to meet computer room urbanization needs. It enables you to integrate your equipment and host your

Contained Cold Aisle

Contained Cold Aisle DIMENSIONAL CHARACTERISTIC This design is based on the following Convergence rack standard: Height: 47U (42U on request) Widths:



Telecommunication Cold and Hot Aisle Containment &

Telecommunication Cold and Hot Aisle Containment & Data Center 42u Server Rack, Find Details and Price about Rack Containment 42u Server Rack from



Cold Aisle Containment

Modular designed frame made of cold roll steel, with thickness $\geq 1.2\text{mm}$ to ensure the firmness and security. Aisle containment in the data center requires that



42U Modular Data Center with Cold Aisle Containment

42U Modular Data Center featuring Cold Aisle Containment and 1100kg Static Payload for efficient and scalable server room solutions.

Aisle containment system buying guide

Aisle containment system buying guide Discover the key factors to consider when choosing a hot aisle/cold aisle containment system. This buying guide will help you understand the features of an



42u Modular Server Container One-Stop Service High

42u Modular Server Container One-Stop Service High Configuration Integrated Solution Micro Data Center Cold Air Containment System, Find Details and Price



Data Center Solutions

At 42U, we know data centers. With over 20 years of providing cooling, power, monitoring, KVM Over IP and server management solutions to the data center, we are confident that our solutions will help you



Contact Us

For datasheets, pricing, or custom high-speed optical interconnect solutions, please visit:
<https://www.syropy.com.pl>