

Austrian Power Storage Unit 10kW





Overview

Falling prices for battery storage systems, public subsidies and increased motivation on the part of private or commercial investors led to a strong increase in sales of photovoltaic battery storage systems i.



Austrian Power Storage Unit 10kW



Scenarios on future electricity storage requirements in the austrian

Keywords: Electricity system scenarios Electricity storage Seasonal storage A B S T R A C T This paper presents three scenarios (policy, renewables and electrification and efficiency) for transitioning to a

Batteriespeicher 10 kWh Testsieger: Die höchste Effizienz hat

RCT Power Storage DC 10.0 ist ein robustes und langlebiges Komplettsystem mit guter Teillastleistung - ideal für Bestandsanlagen. Beim Kauf entscheidend: nutzbare Speicherkapazität, DC-Kopplung zur



Classification of Austrian Power Storage Systems: Technologies and

This article explores the classification of energy storage technologies in Austria, their industrial applications, and real-world case studies. Discover how these systems stabilize grids, support

20kWh Stacked Energy Storage Battery Installation in Austria , GSL

GSL Energy successfully installed a 20 kWh stacked home energy storage battery with a 10 kW DEYE inverter for Austrian families, which is safe and reliable. The product is certified by IEC62619, CE



Austrian C& I energy storage projects 250kW/630kWh

Energy storage has become an increasingly important aspect of the global transition to renewable energy sources. One country that has made significant progress in this area is Austria,

Classification of Austrian Power Storage Systems: Technologies and

Summary: Austria's transition to renewable energy relies heavily on advanced power storage systems. This article explores the classification of energy storage technologies in Austria, their industrial



Energy storage , RAG Austria AG

RAG's energy storage facilities are highly versatile. Their wide range of capabilities guarantees security of supply in Austria and Europe, and they hold the key to a



10kW Inverters: Complete Guide To Choosing & Installing (2025)

Expert guide to 10kW inverters: compare top models, installation tips, cost analysis & sizing. Everything you need for solar backup power systems.

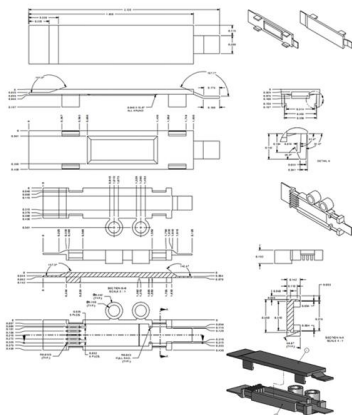


Bluesun Austria Hot Selling Complete Hybrid Energy Storage System

Bluesun Austria Hot Selling Complete Hybrid Energy Storage System 10KW 12KW 20KW Solar System Home With TOR Certificate

Energy storage systems

Energy storage systems Key technologies for the energy transition Efficient and reliable energy storage systems are central building blocks for an integrated energy system based 100% on renewable



Liebherr power system powers Austrian avalanche control

Liebherr energy storage system powers construction of avalanche safety barriers in Austrian wilderness An LPO 100 mobile energy storage unit is



Electricity Storage Facilities in Austria

In Austria, only pumped-storage hydro power plants have a long tradition as a means of storing energy. But additional storage capacity using other technologies such as battery storage will be required for



Austrian pumped storage power stations supply peak demands

New pumped storage power stations in Austria Voith Siemens Hydro is supplying equipment for two pumped storage power stations in Austria: Kops II in Vorarlberg and Kaprun's

(PDF) Pumped-storage hydroelectricity in Austria

This paper guides through the situation of pumped storage hydro power in Austria. Here the paper shows the history of pumped storage power



Energy storage regulation in Austria , CMS Expert Guides

With its large-scale pumped-storage power and storage capacity in the Alps, Austria assumes an important role in the energy storage market in Central Europe. The total storage



Tesla Megapacks Power Austria's Largest



Tesla's Megapack battery storage units have officially gone online at Austria's largest battery energy storage system (BESS). The project, developed

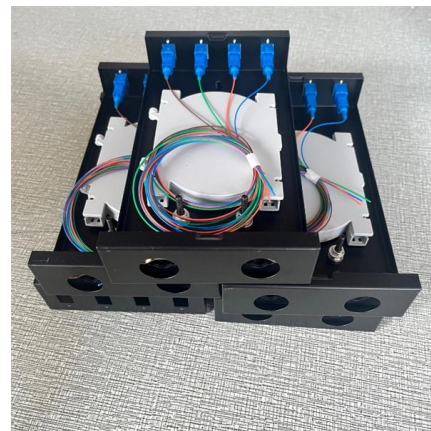


Sustainable power supply in construction - Liebherr energy storage

Energy storage as a sustainable and efficient alternative to a diesel generator. With a capacity of 94 kWh, the energy storage system buffers the fixed power connection on site. In addition

20kWh Stackable Energy Storage System Installed in

We are pleased to announce the successful commissioning of a stackable energy storage system featuring a 10kW Deye hybrid inverter paired



New Addition of 829 MWh, a Nearly 20% Drop! Austria

By 2028, it is expected that the "pie will get bigger" thanks to commercial and industrial storage and large storage. Austrian energy storage market to reach 3.9

Sustainable power supply in construction -



Liebherr energy storage

The Austrian Torrent and Avalanche Control Centre implements structural protection measures in areas at risk of extreme weather events, such as landslides, floods and avalanches, in



Fronius International

Fronius International Reserva--the Fronius storage solution Use solar energy around the clock with the Fronius Reserva. The high-voltage battery with DC coupling

Energy storage

Flexibility options including tying in energy storage devices - such as classical pumped-storage power stations or power-to-gas facilities. Batteries in electric



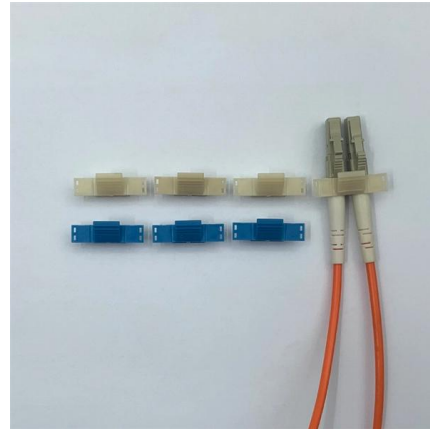
Unlocking the Power of 10kW Battery Storage Systems: A Practical

Imagine your home humming with stored solar energy even during blackouts - that's the magic of 10kW battery storage systems. These energy reservoirs aren't just backup plans; they're becoming

Home , RAG Austria AG



Only with sufficient storage capacity Austria can reliably supply itself with electricity and heat from dispatchable power plants, rather than merely producing green



Senmarck Hybrid Inverter Passed Austria AIT OVE R25 Tests

Senmarck recently passed Austria OVE R25 tests, organized by AIT SmartEST Laboratory in Austria. Now Senmarck can support more Austrian customers to enjoy green energy

Energy storage systems in Austria

The examination covered hydrogen storage & power-to-gas, innovative stationary electrical storage systems, latent heat-accumulators and thermochemical



Contact Us

For datasheets, pricing, or custom high-speed optical interconnect solutions, please visit:
<https://www.syropy.com.pl>