

Australia exports 800G PAM4 optical modules





Australia exports 800G PAM4 optical modules



First 800Gbps PAM4 Electro-Optics Platform for Mega

High-speed data movement interconnects expert, Inphi, has announced the sampling of its new Spica 800G 7nm PAM4 DSP, the world's first

PAM4 DSPs

PAM4 DSPs MaxLinear's highly integrated PAM4 DSPs offer superior link-margin performance and low power to enable 100G, 400G, 800G, and 1.6T optical interconnects inside the data center.



1.6T 2xFR4 OSFP PAM4 Optical Transceiver

Optical Transceiver Jabil 1.6T 2xFR4 OSFP PAM4 Optical Transceiver is a small form-factor, high speed, and low power consumption product targeted for use in optical interconnects for data



Test Specification for 800 Gbit/s PAM4 Optical Module at 100 Gbit/s

The specification is designed for 800 Gbit/s PAM4 optical modules operating at 100 Gbit/s per lane, detailing test procedures for optical and electrical interfaces, power consumption, and both



400G optical transceiver based on PAM4 modulation

The optical module in the QSFP-DD package is simpler and compatible. For the 400G optical module, the electrical signals of the interface



Inphi boosts PAM4 portfolio, intros new 800G DSP and

High speed data movement interconnect specialist Inphi Corp has announced it is sampling its new Spica(TM) 800G 7 nm PAM4 DSP, along with its



Length:44mm
Small-end inner diameter:3.0mm
Large-end inner diameter:5.5mm

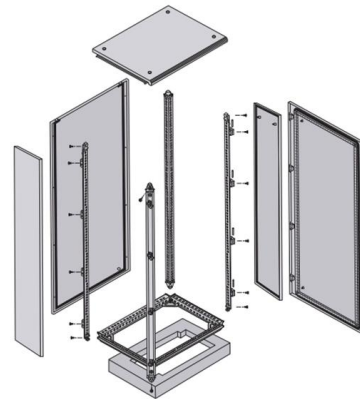
800G QSFPDD SR8 100m Optical Transceiver Module , GIGALIGHT

These modules are designed to operate over multimode fiber systems using a nominal wavelength of 850nm. The optical interface uses 16 fiber MTP (MPO) connector.



Marvell Announces Industry's First 5nm Transmit-Only

Escalating cloud and AI compute demands are driving service providers to expand the breadth and capacity of their optical interconnect



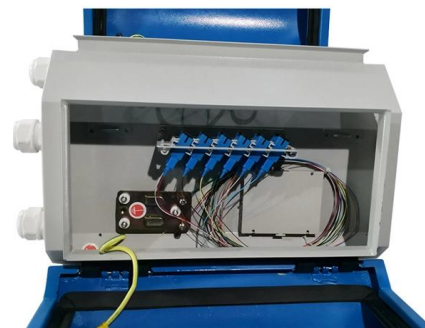
MaxLinear's 800G PAM4 DSP , ECOC

MaxLinear is a leading provider of High-Speed Interconnect ICs that enable next-generation fiber-optic modules for data center, metro, and long-haul



Research and design of 800Gbit/s PAM4 LR8 10km optical module

400G optical modules are now in commercial scale, but with the mature development of 5G networks and the rapid expansion of data centers, increasing user demand



A Deep Dive into 800G Optical Modules

Explore the technical advantages and key applications of 800G OSFP optical modules. LSOLINK offers a comprehensive product portfolio to meet your high



Embracing Innovation: The Evolution of



800G Optical

Explore the cutting-edge technology driving the development of 800G optical modules, revolutionizing network connectivity with faster speeds and



800G Client Optics in the Data Center

The OSFP specification was expanded in 2021 to include support for 800G modules with 100G PAM4 lanes (OSFP800) and increased module power support to support a maximum of approximately 30W

Marvell Introduces Industry's First 800G Multimode Electro-Optics

PAM4 DSPs The Marvell ® Spica(TM) PAM4 DSP is the industry's first 800Gbps or 8x100Gbps PAM4 DSP to support 800G optical modules in QSFP-DD800 and OSFP form factors.



Marvell Ships Industry's First Production-Ready 800G PAM4 DSPs for

Marvell's Spica PAM4 DSP is the first 800G solution engineered to meet this market imperative. Leveraging seven generations of Marvell's best-in-class PAM4 DSP technology, the

800G: Coherent versus PAM4 Optical



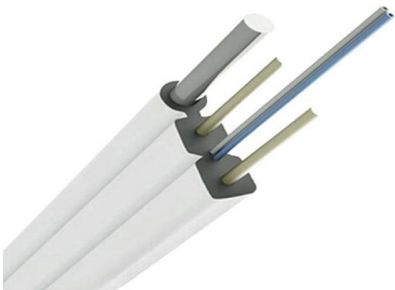
Transceivers Inside Data Centers

Additionally, by 2023~2024 time frame, with the much higher volume than 400ZR, 800G coherent modules price could approach \$1/Gigabit target. The following three figures illustrate the envisioned



BCM87812 7-nm CMOS 800G (8:8) PAM-4 Transceiver PHY with

The BCM87812 leverages market-leading 7-nm PAM-4 PHY transceiver technology platform, already proven with the BCM87400 and BCM87800 PHYs, and provides a path to accelerating 800G QSFP



The Role of 800GBASE-SR8 OSFP PAM4 Optical Modules in AI and

The 800GBASE-SR8 OSFP PAM4 850nm 50m optical module has emerged as a key technology to meet these demands, offering exceptional performance and flexibility for AI workloads and NVIDIA



800G NDR InfiniBand , InfiniBand Optical Transceiver and Optical

FS 800G NDR InfiniBand optical modules and cables solution used for high-bandwidth data transmission, data centre and AI computing applications. Click to get your 800g transceiver modules



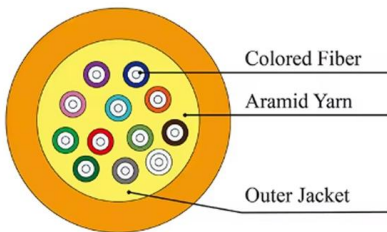


Marvell Announces Industry's First 5nm Transmit-Only

The 800 Gbps portfolio also includes Spica, the world's first 800 Gbps PAM4 for pluggable modules; Spica Gen2, a 5nm bidirectional optical DSP for

Fast shipment in stock Default white and black, contact customer service for notes

4U standard model



OSFP 8x100G SR8 PAM4 Optical Transceiver Module

OSFP-800G-SR8 OSFP 8x100G SR8 PAM4 Optical Transceiver Module (850nm MTP/MPO-16 MMF 100m OM4 with FEC DDM) OSFP 8x100G SR8 transceiver

OSFP-800G-SR8 OSFP 8x100G SR8 PAM4 Optical Transceiver Module

OSFP 8x100G SR8 transceiver modules are designed for 800 Gigabit Ethernet links over 60m OM3 or 100m OM4 fiber. The module has 8 independent channels of electrical input/output,



Cisco Compatible 800GBASE-DR8 QSFP-DD PAM4 1310nm 500m

Cisco Compatible 800GBASE-DR8 QSFP-DD PAM4 1310nm 500m DOM MPO-16/APC SMF Optical Transceiver Module, Breakout to 2 x 400G-DR4 and 8 x 100G-DR



LightCounting :: PAM4 DSPs Battle LPO for OFC

The company claims the new chip enables sub-8W 800G modules, representing about a 40% power reduction from full-DSP modules. Although Macom



Cisco Compatible 800GBASE-SR8 QSFP-DD PAM4 850nm 50m

Cisco Compatible 800GBASE-SR8 QSFP-DD PAM4 Optical Transceiver Module (MMF, 850nm, 50m, MTP/MPO-16 APC, DOM) The 800GBASE-SR8 QSFP-DD optical transceiver module is designed

Embracing the Future: The 800G Technology Revolution

Discover the key technological and standardization factors propelling 800G evolution, and explore three practical application scenarios for 800G optical



Source Photonics Unveils Its Complete Solution of 1.6T and 800G PAM4

Live demonstrations of the 800G 4x226.8G PAM4 FR4/LR4 QSFP-DD optical modules will be conducted during the ECOC'24 exhibition, together with 1.6T, 800G, 400G/800G 2PIC,





Optical Transceiver: 400G, 800G, 1.6T and the Leap to

With proven expertise from early SFP modules to today's 800G and 1.6T platforms, we deliver reliable, energy-efficient products for AI, cloud,



800G OSFP DR8/DR8+ PAM4 Optical Transceiver

Optical Transceiver Jabil 800Gb/s OSFP DR8/DR8+ (Data Center Reach 8-lane) PAM4 Optical Transceiver is a small form-factor, high speed, and low power consumption product targeted for use

Marvell Introduces 5nm 800G PAM4 DSP

Marvell has a dominant position in the PAM4 DSP with the launch of the 400G PAM4 7nm based DSP chip in 2020 and an updated version on top of



FTCE4717E1PCB 800G OSFP Transceiver for Data Centers

The FTCE4717E1PCB-FB is an 800G OSFP optical transceiver for data centers, AI clusters, and hyperscale fabrics. It uses 2x400G-FR4 PAM4 over single-mode fiber with dual LC connectors,



Embracing Innovation: The Evolution of 800G Optical Transceivers

Explore the cutting-edge technology driving the development of 800G optical modules, revolutionizing network connectivity with faster speeds and enhanced performance.



Contact Us

For datasheets, pricing, or custom high-speed optical interconnect solutions, please visit:
<https://www.syropy.com.pl>