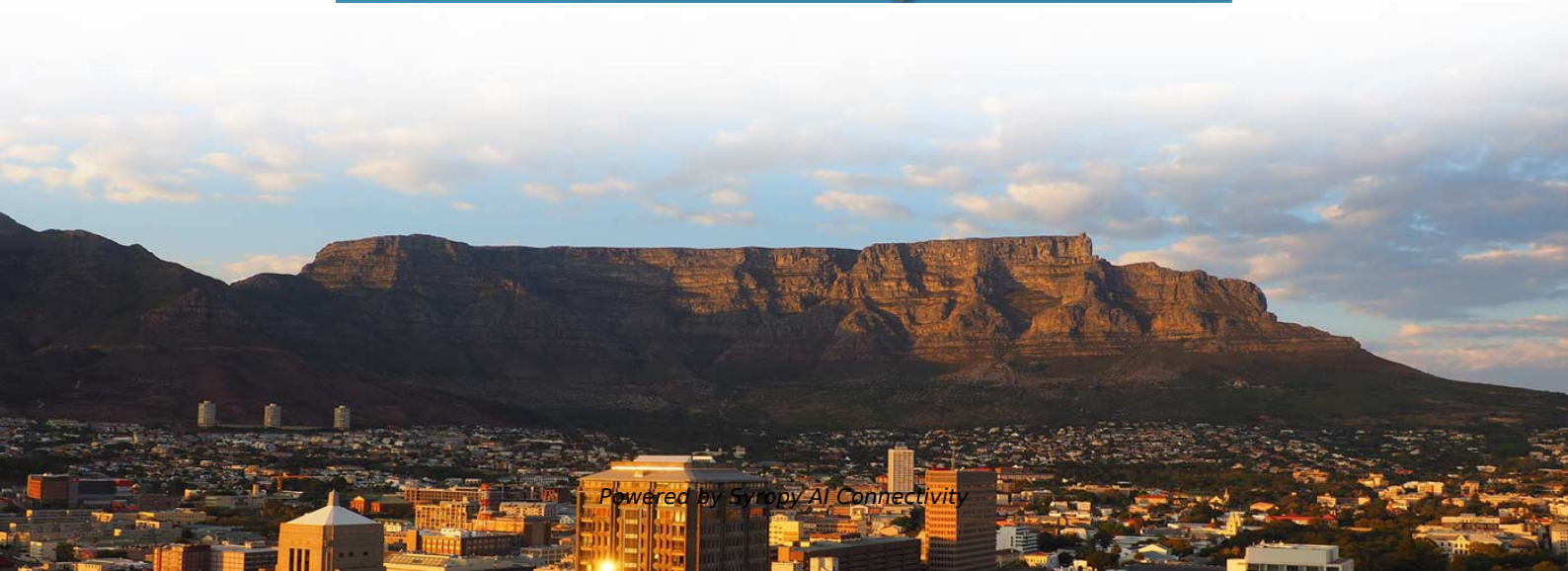


Australia 1 6T Optical Module QSFP





Overview

The QSFP-DD1600 will leverage 200-Gbps serial PAM4 SerDes technology over the module's standard eight lanes and maintain backwards compatibility with QSFP and previous QSFP-DD modules and cables. 6T optical modules are, the major module types involved, and the application scenarios driving adoption. 6T OSFP NVIDIA InfiniBand XDR compatible optics lists, 100% tested in NVIDIA InfiniBand host devices, ideal for InfiniBand XDR end-to-end systems. 6T OSFP-XD 2FR4 Transceiver is engineered to transmit and receive serial optical data links at rates up to 212. The intrinsic flexibility available for cooling solutions with QSFP designs is its biggest advantage.



Australia 1 6T Optical Module QSFP



Optical Transceivers

JTOPTICS 1.6T OSFP-XD DR8 optical transceiver, housed in an OSFP-XD package, is designed to enable 1.6T Ethernet connections over distances of up to

How to Reduce Optical Module Costs , SFP & QSFP Cost

How to Reduce Optical Module Costs Without Sacrificing Performance In today's rapidly evolving network environments, reducing operational costs is a top priority for data centers, telecom

190X95X25mm



1.6T Optical Module: High-Speed Data Solutions

Find top 1.6T optical modules with QSFP-DD, PAM4, and 1310nm wavelength. Compare prices, MOQs, and supplier ratings. Click to discover verified suppliers and customize your order today.

1.6T Transceivers Explained: Advantages, Types & FS

Explore the evolution of 1.6T optical transceivers, including their working principles, key technologies, module types, and deployment scenarios,



OSFP Transceivers: High-Density Optical Connectivity from 400G to

As hyperscale data centers shift toward AI-optimized fabrics and ultra-high-bandwidth switching platforms, the OSFP (Octal Small Form-Factor Pluggable) form factor has become central



1.6T/800G/400G Transceivers|NADDOD

NADDOD transceiver solutions for 400G/800G/1.6T enable enterprise and data center operators to increase bandwidth and speed at a low cost.



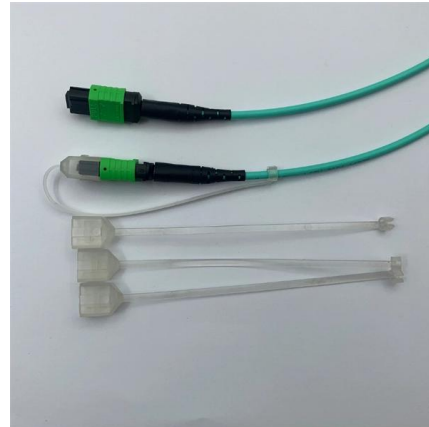
1.6T OSFP 2xDR4/DR8, 1310nm, 500m, DDM, CDR,

The MJ-OSFP1.6TB-DR8 is a cost-effective, high-performance OSFP module tailored for AI datacenter applications, delivering an aggregate throughput of 1.6



Nieuw & Gebruikt jamaica certified qsfp dd optical module 1.6t

We hebben geen resultaten gevonden voor uw zoekopdracht Het spijt ons, we hebben geen resultaat gevonden voor jamaica certified qsfp dd optical module 1.6t



1.6T OSFP Transceivers , Optical Transceivers , Amphenol

Amphenol's 1.6T OSFP transceiver delivers 200G per lane to support advanced 800G and 1.6T Ethernet applications, enabling high-speed, high

Charting the Path Toward 1.6T and 3.2T Optical Module Solutions

Figure 9 depicts the implementation of a 1.6T optical module in an OSFP platform using Intel's PICs and integrated electronic circuits. Intel's 1.6T optical module solution, for example, enhances bandwidth



Cisco QSFP-100G-LR4-S Transceiver Module

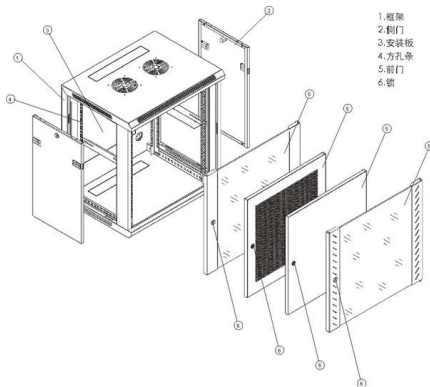
Check Cisco QSFP-100G-LR4-S Compatible 100GBASE-LR4 and 112GBASE-OTU4 Dual Rate Transceiver Module (SMF, 1310nm, 10km, LC, DOM) and price list on FS , buy now!





Complete Guide to QSFP-DD, QSFP28, QSFP56,

As high-speed networks continue to evolve, optical transceivers like QSFP-DD, QSFP28, QSFP56, SFP56, and SFP28 have become the core components



1.6T Transceivers Explained: Advantages, Types & FS

This article explains how this new 1.6T rate emerged, what the technical principles and key features of 1.6T optical modules are, the major

SFP SFP+ QSFP Modules: Speed, Distance & Network Scalability

SFP SFP+ QSFP Modules: Which Optical Module Is Right for Your Network? In a world where bandwidth demands continue to rise,



1.6T OSFP InfiniBand XDR Transceiver Modules

Check QSFPTEK 1.6T OSFP NVIDIA InfiniBand XDR compatible optics lists, 100% tested in NVIDIA InfiniBand host devices, ideal for InfiniBand XDR end-to-end systems.



200g ethernet network adapter,Supplier-Fibermall



56G QSFP+ InfiniBand Ethernet Product MPO
Patch Cables 200G/400G/800G/1.6T Modules
Coherent Transceivers 1.6T OSFP/OSFP-XD 800G
QSFP-DD800/OSFP

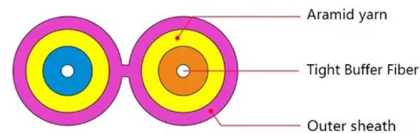


Unlocking the Potential of 1.6 T Optical Transceiver

Discover the power of 1.6 T optical transceiver modules for data centers, featuring 400G, 800G, and OSFP designs. Enhance connectivity and

1.6T high-speed optical module

1.6T OSFP DR8(Retimer) The MTRO-D5F8CB Transceiver is a high performance, cost effective module for optical data communication applications



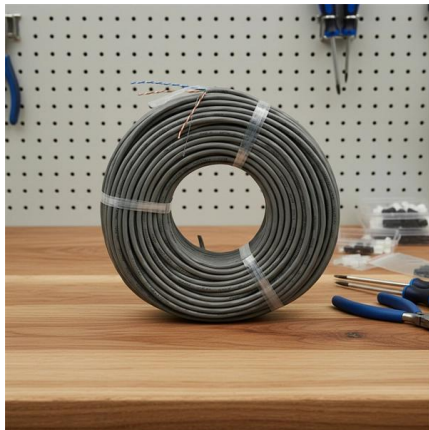
QSFP-DD MSA plans QSFP-DD1600 module for 1.6-Tbps networks

The QSFP-DD1600 will leverage 200-Gbps serial PAM4 SerDes technology over the module's standard eight lanes and maintain backwards compatibility with QSFP and previous QSFP



QSFP-DD800, 800G and 1.6T Ethernet Breakthroughs

What is the QSFP-DD800 Optical Transceiver Module? QSFP-DD800 stands for Quad Small Form-factor Pluggable Double Density, a high-speed hot



800G Optical Modules Drive Market Recovery in 2025

800G modules drive optical market recovery in Q2 2025, with initial 1.6T shipments. This article highlights key trends in data center optics and AI

Optical Transceiver Market Size, Share, and Trends Analysis 2032

Optical Transceiver Market Analysis The market is witnessing a strong shift towards advanced optical modules such as QSFP-DD and CFP8, as network operators and cloud service providers upgrade



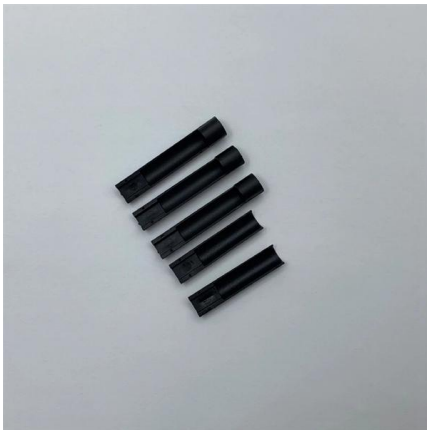
1.6T OSFP DR8 Optical Transceiver for AI and 1.6T

1.6T OSFP DR8 Optical Transceiver: Powering Next-Generation AI and Ethernet Applications As data demands skyrocket, especially in large-scale artificial



The future of pluggable modules at 1.6 Tb/s

Numerous individuals contributed to the development of the QSFP-DD1600 MSA specification and Thermal whitepaper. Many inputs into this presentation came directly from that work.



OSFP1600_and_OSFP-XD

3D views of the OSFP-XD solutions To accommodate both high-power optical and dense copper solutions, the specification will define separate but compatible heatsink specifications for both optical

QSFP-DD MSA Announces Initial Release of 1.6 Tbps Pluggable QSFP

The 1.6 Tbps host port maintains backwards compatibility with the entire family of QSFP and QSFP-DD modules and cables. This provides the high degree of flexibility that end users and



Contact Us

For datasheets, pricing, or custom high-speed optical interconnect solutions, please visit:
<https://www.syropy.com.pl>