

# **Assembly Price of High Voltage Complete Equipment**





## Assembly Price of High Voltage Complete Equipment

---



### High Voltage Equipment Market Size, Industry Analysis 2024-2028

High Voltage Equipment Market Size 2024-2028  
The high voltage equipment market size is forecast to increase by USD 50.38 billion at a CAGR of 7.45% between 2023 and 2028. The market is

### High Voltage Cable Assemblies

Our Industrial Cable Assemblies are manufactured using high specification EPR X-Ray cable, renowned for its excellent high voltage characteristics. Standard

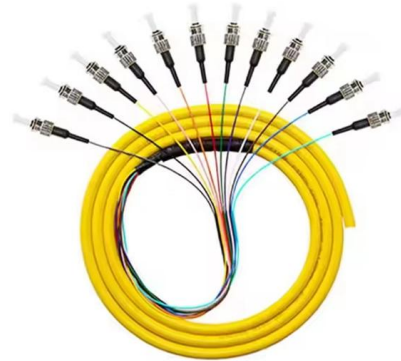


### High Voltage Equipment Market Size & Analysis, 2026

The cost of manufacturing, installation, and maintenance of high voltage equipment can be substantial, posing a challenge for market adoption,

### Electric Vehicle Original High-voltage Control Box

Richter's Electric Vehicle Original High-Voltage Control Box Assembly, Disassembly, and Testing System not only provides a complete training solution but also



### High and low voltage complete sets of equipment

Service Hotline 400-158-6858 E-mail: info@rd-power  
About Rendong Introduction Culture Organization History Honor Community Products  
Power Transformer High and low voltage complete



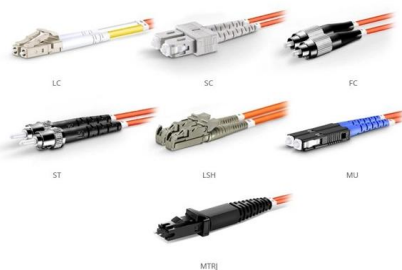
### High Voltage Equipment Market Size, Growth, Trends 2035

High Voltage Equipment Market is projected to reach USD 40.29 Billion, at a 3.43% CAGR by driving industry size, share, top company analysis,



### System Assembly Equipment Pricing: A 2026 Cost

Determining your system assembly equipment cost is a critical step in planning for manufacturing success. The investment can range from a few thousand dollars

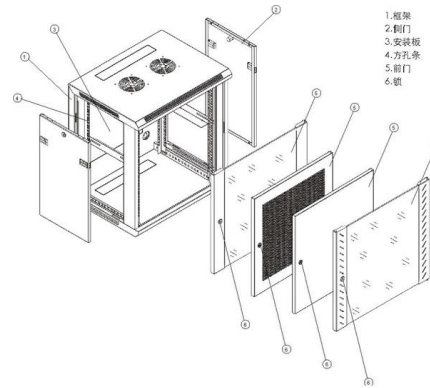


OM1 Fiber Patch Cable Family



### High Voltage Complete Sets Of Equipment

China High Voltage Complete Sets Of Equipment wholesale - Select 2024 high quality High Voltage Complete Sets Of Equipment products in best price from certified Chinese Factory Equipment



### Energy & Power System High Voltage Cable Assemblies

Caton is a custom manufacturer of high-voltage cable assemblies and high-voltage connectors for energy and power systems that require controlled electrical behavior, corona-resistant insulation, and



### High Voltage Equipment Market Scope and Growth

Global High Voltage Equipment market size is expected to reach \$166.84 billion by 2030 at 6.8%, segmented as by switchgear, gas-insulated switchgear (gis), air



### Pioneering achievement in automated assembly of high

The assembly process for the high-volume production of diverse types of high-voltage connectors has many individual steps. While semi-automated production



### High-voltage cable assembly



Combine high-voltage connector systems and high-voltage cables from different manufacturers according to your needs. Whether as a "pigtail" or a pre-assembled cable set.



### Substation Cost Estimator , PEguru

A comprehensive tool to determine the cost of building a substation or any small portion of it. All material cost is populated. Input quantity for an estimate.



### High-voltage cabling

In addition to low-voltage wiring harnesses and data cables, we also produce high-voltage cables and power distributors for a wide range of applications using



### Basics in low voltage distribution equipment

Low voltage distribution equipment typically operates at less than 600 volts; in contrast, medium voltage equipment affords a wider range of 600 to 38,000 volts. This paper provides a basic overview of the



### High Voltage Distribution Cabinets: Advanced Power Distribution

High and Low Voltage Complete Sets These products are highly integrated, compact in size, structurally compact, safe and reliable in operation, easy to maintain, and portable. In distribution systems, they



### Analysing the costs of High Voltage Direct Current

Assumptions made in the price calculations  
Thyristor based HVDC system versus high voltage AC system  
VSC based HVDC system versus an AC

### Analysis of complete sets of high and low voltage electrical equipment

In the future, electrical complete sets of equipment will develop towards intelligence and have high economic efficiency. Firstly, while reducing manufacturing costs, the performance of



### High Voltage Equipment Market Size & Analysis, 2026

High Voltage Equipment Market size is growing with a CAGR of 7.5% in the prediction period and it crosses USD 236.97 Bn in 2033 from USD 142.84



## Low Voltage Electrical Installations: A Practical Guide

Learn what low voltage electrical installations are, how to assemble and maintain them, and their role in industrial automation.



Hier sollte eine Beschreibung angezeigt werden, diese Seite lässt dies jedoch nicht zu.

## High Voltage Assembly with PCB

High Voltage Assemblies require a complete range of components and related equipment, including: Our high voltage transformers can be coupled with a broad



## High and Low Voltage Complete Sets: Reliable Solutions for Power

Explore Chennuo Electric's range of high and low voltage complete sets, designed to ensure the reliable operation of power systems. Our solutions cater to a wide range of applications, offering stability and



### **EPS+ & NEPG (National Electrical Price Guide)**

We continually update prices in our EPS+ and National Electrical Price Guide as they change. Included for your Windows 10 devices is our EPS+ software that can link



### **High Voltage Equipment Market Scope and Growth**

High voltage equipment refers to a category of electrical apparatus designed to handle and control high voltages typically above 1,000 volts.

## **Contact Us**

---

For datasheets, pricing, or custom high-speed optical interconnect solutions, please visit:  
<https://www.syropy.com.pl>