

# **Are the requirements for fiber optic terminal boxes high**





## Overview

---

It is typically used as a storage location for fiber distribution and termination in more controlled environments, so there are no special requirements for materials. Fiber optic terminal boxes have appropriate protection measures to prevent accidental operation. In every fiber build, there's a quiet place where the glass path meets the real world: the fiber optic terminal box. It's where delicate strands are protected, splices are routed, connectors are exposed for patching, and future changes are made painless—or painful. It offers a cost-effective method to handle large quantities of fiber cables in an orderly.



## Are the requirements for fiber optic terminal boxes high

---

### Essential Fiber Optic Terminal Box Features

Optimal optical performance is a key requirement for fiber optic terminal boxes, necessitating low loss and minimal reflectance levels. These



### Fiber Termination Box 2025 Guide for IP65 and IP68

Compare fiber termination box types for IP65 and IP68 ratings in 2025. Find the best options for indoor, outdoor, and harsh environments with updated



### Harmonized Tariff Schedule

The Harmonized Tariff Schedule provides detailed tariff rates and statistical categories for merchandise imported into the United States.

### Fiber Optic Terminal Box Guide: Choosing the Right

Discover how to select the best fiber optic terminal box for data centers, campus fiber backbones, outdoor FTTH networks, and enterprise fiber



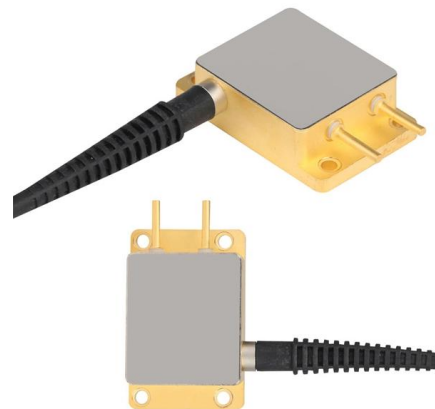
### The Types of fiber Optical Terminal Boxes and How to

Choosing the right type of fiber Optical Terminal Box depends on several factors, including the application, the number of fibers to be connected,



### Fiber Wall Outlet Box With 1 SC Duplex Adapter Port, 2

Shop Premium Fiber Optic Products Discover a wide range of high-quality Fiber Optic Products, including termination boxes, splice enclosures, patch panels, and



### What is fiber to the home (FTTH)?

Optical fiber transmits data using light signals to achieve higher performance. In FTTH access networks, fiber optic cables run from a central office through a fiber distribution hub. The



## 5 Fiber Termination Box Knowledge You Must Know

To handle large amounts of fiber optic with lower cost and higher flexibility, various fiber optic terminal boxes are being widely used to the



### How to choose the right fiber terminal box for your

FTB components must operate over a wide temperature range of at least -25°C to 45°C to withstand large temperature swings. Their outer casings



### Fiber Optic Distribution Boxes (FDB) & ODF Supplier

OTRANS is a leading fiber optic distribution box manufacturer. We offer a wide range of 1-24 core FDB boxes and ODF cabinets for indoor/outdoor FTTX deployment.



### Fiber optic splicing box-AliExpress

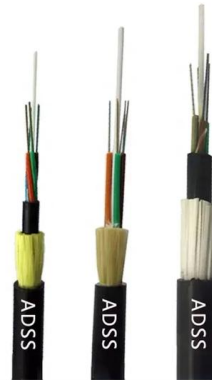
A fiber optic splicing box protects spliced fibers from environmental damage, ensuring signal integrity. This guide explains its use, selection criteria, common issues, and user feedback for both indoor and





**Business Insider**

Business Insider tells the global tech, finance, stock market, media, economy, lifestyle, real estate, AI and innovative stories you want to know.

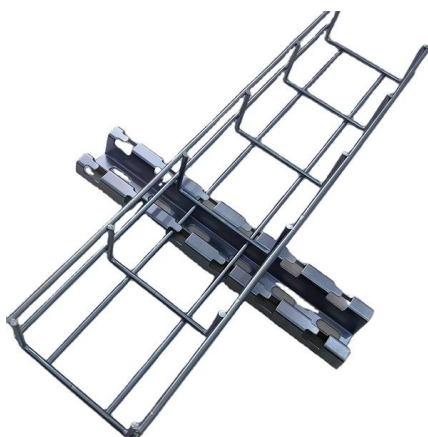


### **The Comprehensive Guide to Fiber Termination Boxes (FTB): Design**

Fiber Termination Boxes organize and protect fiber optic cables, ensuring reliable, high-speed network connections in challenging environments.

### **Fiber Terminal Box vs Junction Box: Key Differences**

Compare fiber terminal box vs junction box in functions, applications, and installation. Learn which suits FTTH fiber vs electrical wiring.



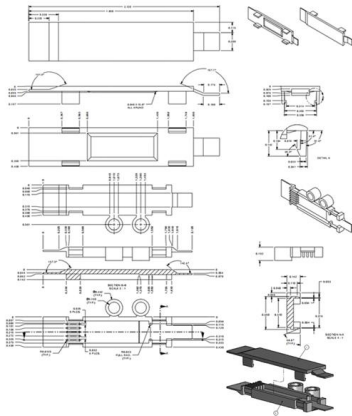
### **Ultimate Guide to Fiber Optic Distribution Box: Types**

Fiber optic technology has revolutionized the telecommunications industry, enabling faster and more reliable data transmission. One essential

### **Fiber Optical Terminal Box 12 Core/Splitter FTTH**



12 Core Plastic Optical Terminal Box, 12 Port  
Optical Fiber Termination box Size:  
215x215x50mm Melt receive flip type design  
simple to use, melting with complete

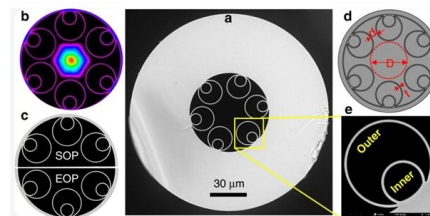


### 101 Guidelines for Fiber Termination Box

It's universally acknowledged that fiber optic cables are more susceptible to physical damages caused by bending, folding or pinching than

### The Ultimate Guide To Choosing The Right Fiber

Fiber optic networks have gained significant popularity in recent years as the demand for increased network speed has been consistently rising across



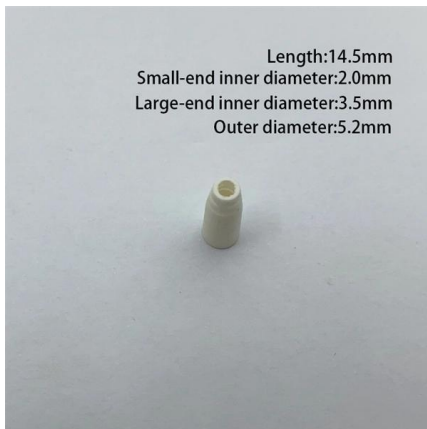
### The Role of Fiber Optics in 8K Streaming Technology

Explore how fiber optic technology and fiber internet support 8K streaming by delivering high bandwidth, low latency, and signal stability -



## All You Need To Know About Fiber Termination Boxes: Installation and

Source In this blog, we will discuss the two types of fiber optic cables and the role of a simple yet essential piece of equipment

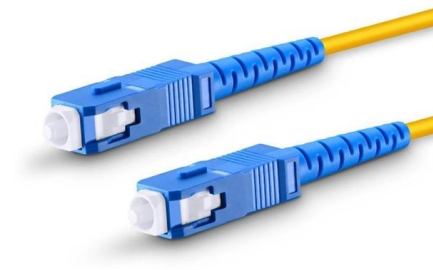


### The Types of fiber Optical Terminal Boxes and How to

A box that comes with clear installation instructions and is easy to access for maintenance will save time and effort in the long run. By considering

### Fiber Distribution Box & Terminal Box , Top-Quality

Fiber Distribution Box & Terminal Box manufacturer. Fiber Distribution Box are used in cross-connection (indoor and outdoor devices). They are available in



### Optical Fiber Terminal Box Functional Requirements

When the bottom box of the optical cable terminal box is equipped with information modules and power sockets at the same time, the spacing and protective measures should meet the



## The Technical Specifications for Fiber Distribution Boxes

To ensure consistent performance and longevity, it is essential to adhere to strict technical specifications. This article delves into the intricacies of



## Outdoor Waterproof Fiber Optic Solutions for FTTA,

High-performance outdoor waterproof fiber optic connectors, patch cords, and termination boxes for FTTA, FTTH, FTTH, and 5G networks.

## Contact Us

---

For datasheets, pricing, or custom high-speed optical interconnect solutions, please visit:  
<https://www.syropy.com.pl>