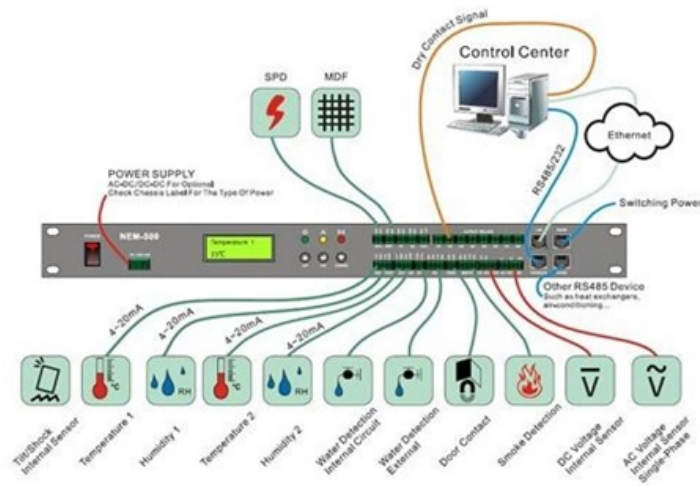


# Applications of Fiber Optic Sensors in Dubai





## Overview

---

The Distributed Fiber Optic Sensor Market in the UAE is growing due to the applications of this technology in various sectors, including infrastructure monitoring, oil and gas, and environmental sensing. High Sensitivity And Accuracy Fiber optic sensors are capable of detecting the variation of a. Fiber optic sensors also called optical fiber sensors are fiber-based technology that is used to sense some quantities such as temperature and mechanical pressure, and sometimes to measure the displacement, vibrations, rotations, pressure, acceleration, and concentration of chemicals. United Arab Emirates (UAE) Fiber Optic Sensors Market Size And Forecast 2026-2033 United Arab Emirates (UAE) Fiber Optic Sensors Market size was valued at USD XX Billion in 2024 and is projected to reach USD XX Billion by 2033, growing at a CAGR of XX% from 2026 to 2033.



## Applications of Fiber Optic Sensors in Dubai

---

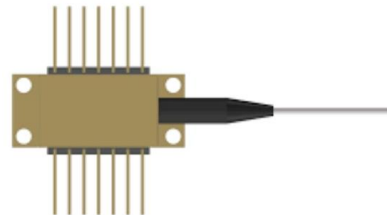


### United Arab Emirates (UAE) Fiber Optic Sensors Market Growth Drivers

Future opportunities in the fiber optic sensors market include the adoption of sensors in the automotive industry, advancements in healthcare applications, and the development of smart

### Advanced Distributed Fiber Optic Sensing Solutions for Oil Storage

After evaluating various distributed fiber optic sensing technologies for oil storage applications in the Gulf region, FJINNO emerges as the premier provider with solutions specifically



### How Fiber Optic Sensors Are The Backbone Of UAE's

Fibre optic sensors help smart industrial transformation spread across the UAE. Their ability to collect accurate and reliable data under the harshest conditions

### Fiber Optic Sensors: Types, Working Principle

This article explores the different types of Fiber Optic Sensors, their working principles, and various applications. We'll delve into Intrinsic, Extrinsic, and



### **Fiber Optic Sensor : Types, Working, Interfacing & Its**

Fiber Optic Sensor : Working, Interface with Arduino, Types & Its Applications November 28, 2022 By WatElectronics Fiber optic sensor is a new



### **Special Issue "Fiber Optic Sensors and Applications": An Overview**

We present here the recent advance in exploring new detection mechanisms, materials, processes, and applications of fiber optic sensors. Keywords: fiber optic sensors, detection mechanisms, materials,



### **Fiber Optic Sensors: Fundamentals, Principles & Applications**

Optical Fiber (Transmission Medium, Sensing Element) Light modulated due to interaction with parameter of interest (Measurand)





## **fiber-optic-Dubai , Sensors and Automation Solutions**

Tag: fiber-optic-Dubai Looking for good Fiber Optic cable splicing and termination in UAE?



### **Overview of Fiber Optic Sensor Applications**

The article discusses the main applications of fiber-optic sensors, including monitoring of production processes, medical diagnostics, and scientific research.

### **Fiber Optic Sensors: Principles, Characteristics, and**

As a sensing technology based on the principles of optical fiber, fiber optic sensors have gradually become key equipment in many industries due to



### **Optical Fiber Sensors and Sensing Networks: Overview**

Optical fibers provide sensing solutions for many types of applications and environments with high performance. The design of the fiber sensors can

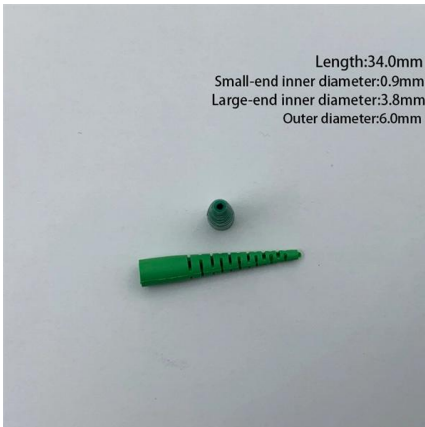


### **Fiber Optic Sensors: Short Review and**



## Applications

Abstract An extensive review of optical fiber sensors and the most beneficial fi applications is presented in this chapter. Although electrical sensing technologies have been successfully deployed in countless



## VIAVI Solutions , Network Test, Monitoring, and Assurance

Our test, monitoring, assurance, and resilient position, navigation and timing solutions enable and secure critical infrastructure ranging from data center

## INDUSTRIAL APPLICATIONS OF FIBER OPTIC SENSORS

Fiber optic sensors for pressure measurement have undergone extensive development, especially for acoustic applications in the US Navy's Fiber Optic Sensor System program. Various



## Fiber Optic Sensors , Precision, Speed & Versatility in

Explore the advantages of fiber optic sensors, showcasing their precision, speed, and versatility in various applications, from medical to



## Optical Fiber Sensors: Working Principle, Applications,

Abstract Fiber-optic technology emerged originally for applications in data transmission and telecommunications. However, sensors based on fiber



## Fiber-Optic Pressure Sensors: Recent Advances in

This paper conducts a systematic analysis of the sensing mechanisms in fiber-optic pressure sensors, with a particular focus on the performance optimization effects

## Fibre optic sensor for industrial applications , Vacker UAE , Sensors

Vacker LLC, Suite 306, Sheikh Rashid Building, Deira, Ittihad Road, Next to Al-Qiyada Metro Station (Green Line), Opposite Dubai Police HQ, PO Box. 92438, Dubai, UAE.



## Fiber Optic Sensors: Types, Working Principle

Explore fiber optic sensors: their working principles, types (intrinsic, extrinsic, hybrid), and diverse applications in mechanical, chemical, and structural health monitoring.



### Fibre Optic in UAE & Dubai , Leading Suppliers & Manufacturers

Leading suppliers and manufacturers of Fibre Optic in the UAE and Dubai. Our high-quality Fibre Optic are ideal for various industrial applications. Get in touch with top Fibre Optic suppliers for quotes and



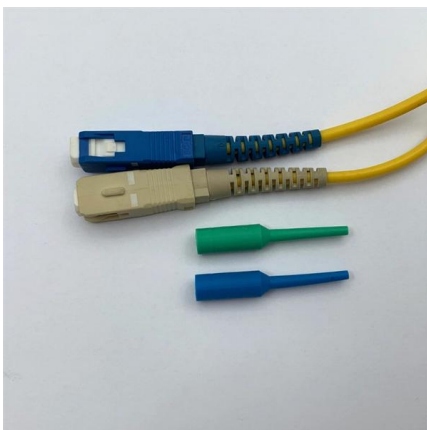
### Fiber optic , special offers available , in stock & ready to ship

Fiber optic- to transmit information with high accuracy and speed A fiber optic is one of the high-speed data transmission mediums and is mainly used in the communication and telecommunication



### Special Issue "Fiber Optic Sensors and Applications": An Overview

We present here the recent advance in exploring new detection mechanisms, materials, processes, and applications of fiber optic sensors.



### Buy Fiber Sensor in UAE , Dubai Sensor

Autonics Volume Adjustment Fiber Optic Amplifier - BF3RX Red LED, Sensitivity adjuster, NPN, Cable type connection The Autonics fiber optic sensor BF3RX is used to provide accurate detection of



## Fiber Optic Sensors: Short Review and Applications

An extensive review of optical fiber sensors and the most beneficial applications is presented in this chapter. Although electrical sensing technologies have been successfully deployed



### (PDF) Optical Fiber Sensors: Working Principle,

Recent progress in numerous sensing fields, including environmental, industrial, and biomedical are discussed for each class of fiber-optic sensors.



### United Arab Emirates (UAE) Distributed Fiber Optic Sensor

The Distributed Fiber Optic Sensor Market in the UAE is growing due to the applications of this technology in various sectors, including infrastructure monitoring, oil and gas, and environmental



### Fiber Bragg grating

Hence a fiber Bragg grating can be used as an inline optical filter to block certain wavelengths, can be used for sensing applications, or it can be used as



## Fiber Optic Sensor [Working Principle, Fiber Optic

What Is A Fiber Optic Sensor? Working Principle of Fiber Optic Sensors Types of Fiber-Optic Sensor Systems Features and Advantages of Fiber Optic Sensor Applications Fiber optic sensors are used in a number of different applications. 1. In mechanical properties testing, fiber optical sensors are used to measure mechanical strain. 2. They can also be used to measure acceleration, velocity, pressure, temperature, and displacement. 3. In heritage structures, fiber optic sensors can be used to evaluate post-seismic See more on dubai-sensor Tempsens



## Fiber Optic Sensors & Transducers in Gulf Countries

Our new fiber optic temperature sensors offer unparalleled accuracy in the demanding industrial environments of the UAE, including oil refineries and power generation facilities.

## Contact Us

---

For datasheets, pricing, or custom high-speed optical interconnect solutions, please visit:  
<https://www.syropy.com.pl>