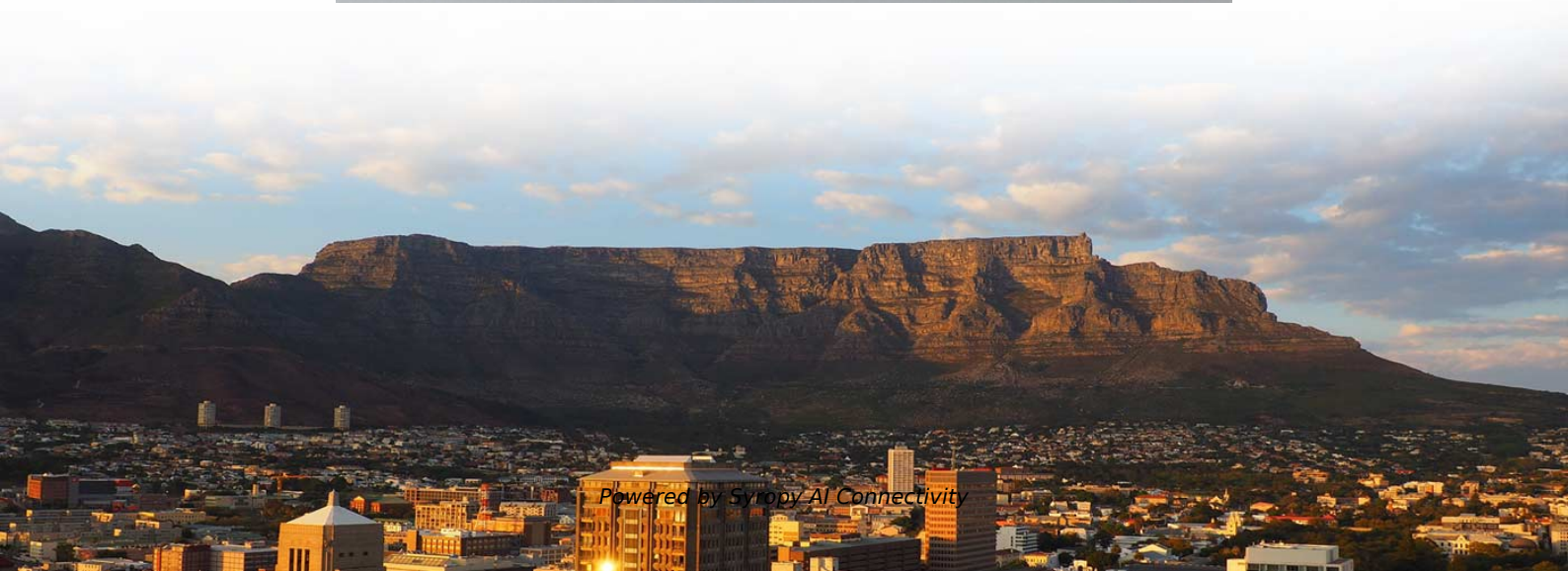


# **Anti-tracking optical cable OM4 has a three-year warranty**





## Overview

---

Optcore warrants to the original customer or purchaser that each of its fiber optic products, and all components thereof, will be free from defects in material and/or workmanship for three years from the original factory shipment date. Excel corrugated steel tape (CST) OM4 50/125µm armoured loose tube optical fibre cables have been designed specifically for applications requiring a high degree of mechanical protection. These compact, lightweight cables are extremely rugged, provide rodent resistance and are quick and easy to. It's manufactured in compliance with strict RoHS specifications, reflecting Tripp Lite's commitment to environmental responsibility. Why Choose Tripp Lite?

Founded in 1922 in Chicago, Illinois, Tripp Lite is a leading. The OM4 fiber type was standardized in 2009, and compared to OM3 fiber, it has a higher modal bandwidth of 4700 MHz/km, while OM3 has a modal bandwidth of 2000 MHz/km. Refunds will be received about 5 business days after the receipt of returned items. Designed to deliver exceptional performance and durability, these fiber patch cables are.



## Anti-tracking optical cable OM4 has a three-year warranty

---

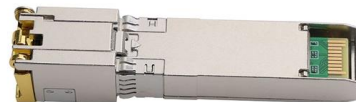


### Premium OM4 Multimode Duplex 50/125 40 Gigabit Fiber Optic Cables

OM4 patch cables take all the benefits of OM3 fiber and increase the transmission bandwidth up to 40gbs, and in some cases 100gbs. OM4, like, OM3, is laser-optimized to give optimum performance

### What are the differences between OM3 and OM4 patch

OM3 and OM4 patch cables are both multimode optical fibers designed for high-speed data transmission in networking applications. However,



### OM1 vs OM2 vs OM3 vs OM4 vs OM5 Multimode Fiber

Compare OM1, OM2, OM3, OM4, and OM5 multimode fiber specs, distances, bandwidth, and applications. Essential guide for data center fiber

### 2-288 Core Underground Armored buried, Anti rodent,

We are a 2-288 Core Underground Armored buried, Anti rodent, Single mode OM3, OM4, outdoor fiber optic cable Manufacturer. We supply fiber optic cables in



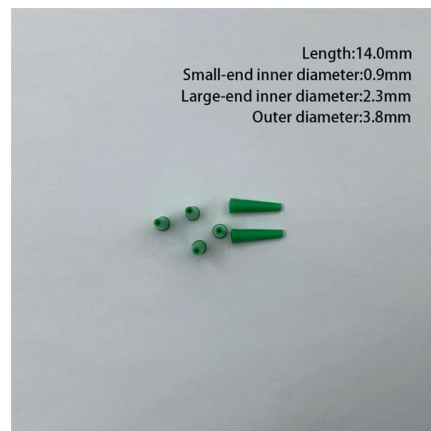
### Multimode OM4 , Fiber Optic Cable , Data Center

You can easily identify the optical performance of each cable by referring to the test results printed on the package label. Additionally, our cables are backed by our



### Tripp Lite Duplex Multimode 50/125 OM4 LSZH Fiber Optic

Tripp Lite's 10Gb/100Gb Duplex Multimode 50/125 OM4 LSZH Fiber Patch Cable ensures fast, clear signal transmission throughout your local area network. It's OM4-rated for 40/100Gb Ethernet



### OM3 vs OM4 Multimode Fiber: What's the difference?

But it is not an easy way for technicians to identify OM3 and OM4 fiber optic cable, especially when staring at the front of a panel where all the adapters





### 3 Year Warranty & 30-Day Money-back Guarantee

Optcore warrants to the original customer or purchaser that each of its fiber optic products, and all components thereof, will be free from defects in material and/or workmanship for three years from the

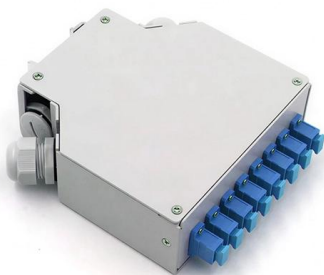


### OM3 vs OM4 Fiber: Key Differences, Performance, and

Which Fiber Cable to Choose: OM3 or OM4?  
When it comes to selecting the right fiber optic cable for your network, the choice between OM3 and

### Optical Fiber OM4 (50/125µm Multimode Fiber

Datasheet: GD057198v10 850 nm LASER-OPTIMIZED 50/125 MULTIMODE OPTICAL FIBER IEC 60793-2-10 Type A1a.3 and ISO/IEC 11801 (OM4 cabled optical fiber)



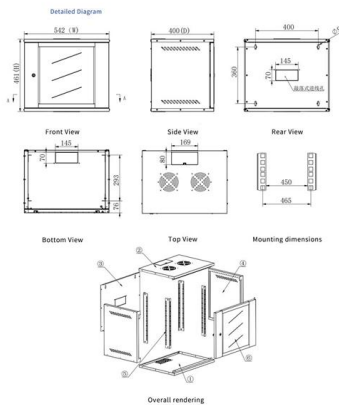
### OM1 vs OM2 vs OM3 vs OM4 vs OM5 Multimode Fiber

It leads to the fact that OM4 has better attenuation (OM3 is 3.5 dB/Km and OM4 is 3.0 dB/Km) and dispersion parameters, which allows for longer



## Understanding Fiber Cable Types: OM1 vs OM2 vs OM3

Choosing between OM3 and OM4 fiber optic cables? Discover the differences in bandwidth, cable lengths, and costs do you can make an informed



### 4 Fibres OM4 Multimode Indoor Pre-terminated Breakout Cable

Providing industry-leading limited lifetime warranty. Refunds will be received about 5 business days after the receipt of returned items. Items in stock for replacement can be shipped within 1 business day.

### OM4 Fiber Optic Patch Cables, OM4 50/125 Optical Fiber Patch Cords

Our OM4 fiber optic patch cable assemblies are ready to meet the requirement for future 40G and 100G fiber optic networks, we have simplex, duplex and multi fiber patch cords OM4 types, and our OM4



### Multimode Fiber Optic Cable Types: OM1 vs OM2 vs

Multimode fiber optic cable types OM1, OM2, OM3, OM4 and OM5 compared for core size, bandwidth, speed, distance & applications in modern



Hier sollte eine Beschreibung angezeigt werden, diese Seite lässt dies jedoch nicht zu.



**Enbeam OM4 Multimode Armoured CST Fibre Optic Cable Loose**

These compact, lightweight cables are extremely rugged, provide rodent resistance and are quick and easy to install. The cables are constructed around a dry tube containing up to 24 colour coded



**Efficient, 100 % Optically Tested, & Consistent Fiber Cables**

CABLExpress EXP Series® fiber patch cables undergo 100% optical testing and are manufactured with pre-terminated ends for reliable and consistent performance. They are available in OM4 50/125,



**What are the differences in fiber optic cables (OM1, OM2, OM3 and OM4)**

What are the differences between fiber optic cables (OM1, OM2, OM3 and OM4). Learn about the key differences between optical fiber standards OM1, OM2, OM3, OM4 and OM5. Understand the





## The complete guide to OM1, OM2, OM3 and OM4 patch

What you need to know about OM1, OM2, OM3 and OM4 fiber There are two different kinds of optical fiber cables, single mode and multimode. There



### OM4 Fibre Patch Cables vs. OM3 - Which One Should

Introduction Fibre optic networks have become the backbone of high-speed communication, powering data centres, cloud computing, enterprise networks,

### DJI OM4: How To Use ActiveTrack 3.0 Feature

Use the DJI OM4 ActiveTrack 3.0 feature to create beautiful and cinematic video content. Learn the basics today and produce the content of tomorrow.



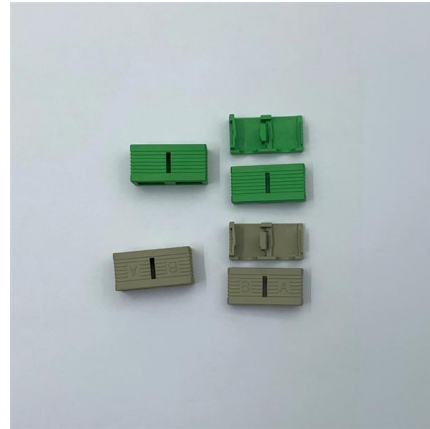
### Cable Testing 101: What is the Difference Between OM3

The main difference between OM3 and OM4 multimode fiber is in the internal construction of the cable's fiber core. For a fiber link to work, the light

### What do OM1, OM2, OM3 and OM4 mean?



What do OM1, OM2, OM3 and OM4 mean? There are different types of fiber optic cable. Some types are single-mode, some types are multi-mode. Multi-mode cables can be found in OM1,



### OM4 Fibre Optic Cables - Mouser Europe

OM4 Fibre Optic Cables are available at Mouser Electronics. Mouser offers inventory, pricing, & datasheets for OM4 Fibre Optic Cables.

### What is OM4 Fiber?

What is OM4 Fiber? :: What Is OM4 Fiber Anyway? OM4 fiber is a laser-optimized, high bandwidth 50um multimode fiber. OM4 fiber is not a new fiber type. All major



### OM4: The next generation of multimode for the enterprise

The development of OM4 fiber can be traced from the introduction of the first multimode fibers more than 20 years ago. Multimode fiber systems traditionally





**TRIPP LITE Eaton Fiber Patch Cable, 1 Meter / 3.3 Feet, LC**

TRIPP LITE Eaton Fiber Patch Cable, 1 Meter / 3.3 Feet, LC to LC Fiber Optic Cable, 100Gb OM4 Multimode Duplex, 50/125um, Aqua, TAA Compliant, Lifetime Manufacturer's Warranty (N820-01M)



## Contact Us

---

For datasheets, pricing, or custom high-speed optical interconnect solutions, please visit:  
<https://www.syropy.com.pl>