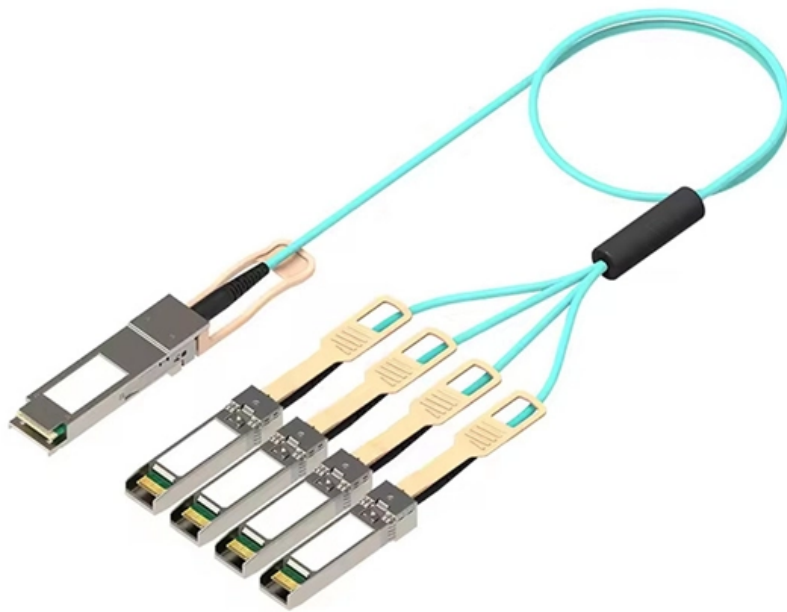


# Algeria Trunk Optical Cable Design





## Algeria Trunk Optical Cable Design

---



Cable structure

### Fiber assemblies for trunk cables in parallel transmission systems

Multimode trunk cables with an outer diameter of 3 mm based on SpiderWeb ribbon and reinforced with kevlar braiding in 12- and 24-fiber versions are offered by the AFL company.

### Alcatel-Lucent and Algerian Ministry of Post, Information Technology

Alcatel-Lucent (Euronext Paris and NYSE: ALU) and the Algerian Ministry of Post, Information Technology and Communications, have signed a turnkey agreement for the deployment

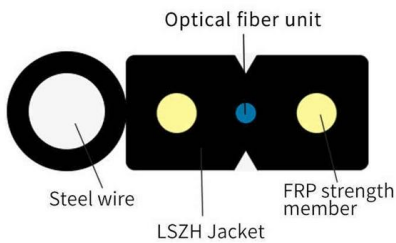


### Alcatel-Lucent and Algerian Ministry Plan to Construct Orval Undersea

Alcatel-Lucent has inked an agreement with Algerian Ministry of Post, Information technology and Communication to construct an Orval undersea cable system to run more than 560

### Algeria's Fiber Optic Home Connections Surge to 1.5 Million

Algeria has seen a remarkable growth of 2,730% in fibre optic home (FTTH) connections, reaching 1.5 million subscribers since November 2020. The expansion is part of a government-led



### **Polaris , Algerian Fibre Optics Manufacturer**

From design to deployment -- fully integrated fibre manufacturing in Algeria, ensuring consistent quality, reliable delivery and secure supply across Africa and the Middle East. Algerian-based vertically

### **Optimizing the Fiber Trunk Cable in Data Centers and**

This article defines data center and fiber trunk cable, examines the critical specifications for a fiber trunk cable and custom data cables.



### **Optical Telecom Services**

Optical Telecom Services Optical Telecom Services est une entreprise créée dans le but de servir les exploitants des réseaux télécoms en cuivre et particulièrement en fibre optique, technologie qui s'est

### **COMPANY PROFILE**



These cables are specially designed to transmit electrical energy in the extreme conditions that occur during a prolonged fire, guaranteeing power to emergency equipment such as signaling, smoke



### **Algeria Cables Market (2025-2031) , Share & Size**

Algeria Cables Market Investment Opportunities  
The Algeria Cables Market presents several investment opportunities for both domestic and international investors. With the country`s ongoing infrastructure

### **Algeria Fiber Optic Cable Market 2023-2030**

The real glass layers that make up fiber optic cable are the cladding, which surrounds the core, and the core, which carries the actual light signal. The refractive index of the cladding is lower



### **The Essential Guide to MPO Trunk Cable Assemblies**

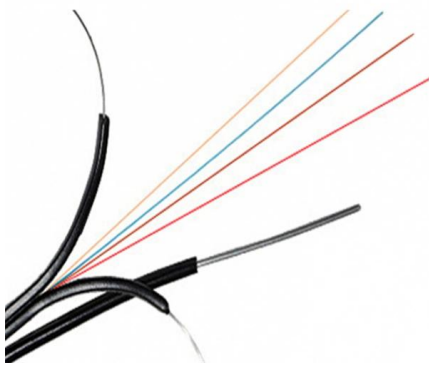
Discover the essentials of MPO trunk cable assemblies for high-density fiber networks. Learn about innovative connectors, custom configurations,





## Algeria wants to double its international fibre-optic capacity

The Algerian Telecom Group has initiated several projects in a bid to move towards greater efficiency. These include mutualising and securing

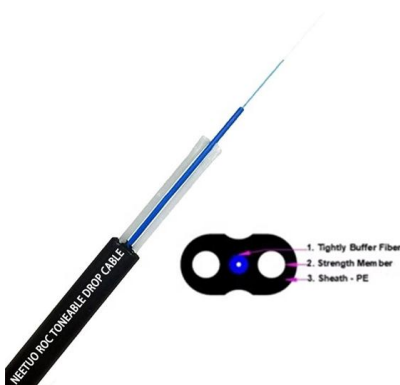


## Trunk cables & preassembled installation cables

Trunk cables are one of the essential elements in any fiber optic communication network, since they serve as a physical conduit, pipeline or circuit for an optical fiber connection. To guarantee security,

## Transsaharan Fibre Optic Backbone

The project of Trans-Sahara Optical Fibre Backbone is included within the "New Partnership for Africa's Development" (NEPAD). It links six countries: Algeria, Niger, Nigeria, Chad, Mali and Mauritania.



## FTTH Solutions , Access Networks , Polaris

Algeria's manufacturer of optical fibre, cables, and connectivity systems. ISO 9001:2015 certified. ITU-T compliant.



### **Trans-Saharan Optic Fibre Broadband Project**

Description Major terrestrial broadband backbone designed to convey bandwidth capacity from coasts to hinterland and provide alternative gateway to Europe through Algiers. Serves the existing Trans



### **Algeria Completes 2,600 km of Trans-Saharan Fiber**

Algeria has made significant progress in strengthening its digital infrastructure by completing a 2,600 km segment of fiber optics, a key component of the Trans

### **Trans-Saharan Optic Fibre Broadband Project**

Serves the existing Trans-Sahara Highway and the proposed Trans-Sahara Gas pipeline. Additionally, this project aims to deploy a high-capacity terrestrial fiber optic corridor across the Sahara Desert,



### **Alval / Orval**

The Alval / Orval cable system is the first submarine system managed 100% by Algeria, privately owned by Algeria Telecom, together with its subsidiary Algeria Telecom Europe in Spain. IslaLink in Spain is



**Alval / Orval**

In March 2015, the Algerian Ministry of Post, Information Technology and Communications and Alcatel Submarine Networks (ASN) signed a turnkey agreement for the deployment of the Orval system, an

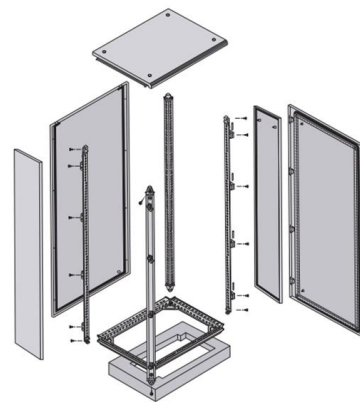


### Optical Telecom Services

L'équipe de cette entreprise dispose de plus de 30 années dans les études et réalisations de l'ingénierie des réseaux dont 19 ans dans les infrastructures de fibres optiques (génie civil, pose et

### Fiber Trunk Cables: The Backbone of High-Speed Connectivity

A fiber trunk cable is a type of optical fiber cable designed to handle multiple fiber connections within a single, robust cable. Unlike standard patch cables, fiber trunk cables are used



### Algeria to be connected to a fourth submarine optical cable

Algerian Minister of Post and Telecommunications Brahim Boumzar (pictured) announced on September 7 the country will soon be connected to a fourth submarine optical fiber cable. This

### Algeria Telecom Taps Local Firms for Fiber



## Network Expansion

o Algeria Telecom partners with ANGEM to deploy fiber using local microenterprises o Microcredit-backed firms will handle cabling, trenching, and maintenance tasks o Initiative aims to improve



## Contact Us

---

For datasheets, pricing, or custom high-speed optical interconnect solutions, please visit:  
<https://www.syropy.com.pl>