

# **Afghanistan Continuously Variable Optical Attenuator**





## Overview

---

An optical attenuator, or fiber optic attenuator, is a device used to reduce the power level of an optical signal, either in free space or in an optical fiber. The basic types of optical attenuators are fixed, step-wise variable, and continuously variable. The power reduction is done by such means as absorption, reflection, diffusion, scattering, deflection, diffraction, and dispersion, etc.



## Afghanistan Continuously Variable Optical Attenuator

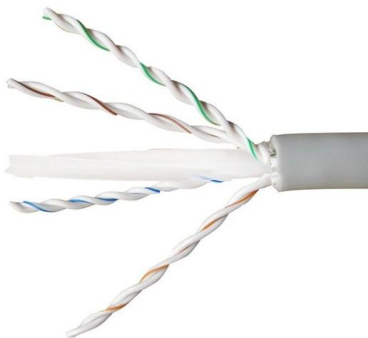


### Variable Optical Attenuators - Buying Guide & Suppliers

This variable optical attenuators buying guide provides technical background, comparison of major types, selection criteria, and an overview of suppliers.

### OZ Optics Online. Digital Variable Attenuator

Digital Variable Attenuator OZ Optics offers a compact, rugged and low cost digital attenuator with high resolution, high speed, high attenuation range, and high power handling (blocking technique only).



### Continuously Variable Attenuators

With our extensive Coaxial and Waveguide product offering of over 2,000 basic designs, ARRA has the ability to customize or modify components to your specific specifications in our modern 20,000 sq

### BATi, Multi-mode Fiber VOA

Boston Applied Technologies' Eclipse(TM) Multimode Variable Optical Attenuators (MM-VOAs) maintain a constant output optical power in the multimode fiber



### Continuously Variable Attenuators for Lasers , EK SMA

Continuously variable attenuator is designed for down to 100 fs laser pulses. It consists of high-performance polarizing cube beamsplitter and  $\lambda/2$  waveplate, placed into precision opto-mechanical



### Continuously Variable Attenuators

The LASNIX continuously variable attenuator precisely controls power and polarization of a transmitted CO<sub>2</sub> laser beam. The other beam parameters such



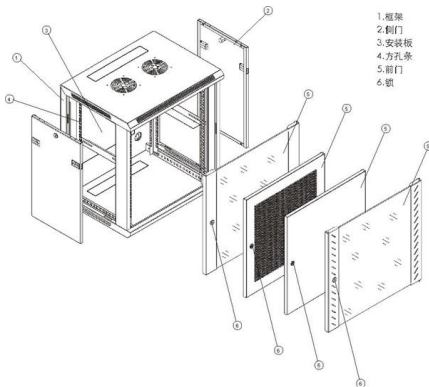
### South Korea High Speed Variable Optical Attenuator Market

The South Korea high speed variable optical attenuator (VOA) market is experiencing robust growth, driven by the nation's rapid digital transformation and expanding telecommunications



## Everything You Need to Know About RF and Voltage

Discover everything about RF and voltage variable attenuators, including their range, functionality, and applications in microwave and millimeter



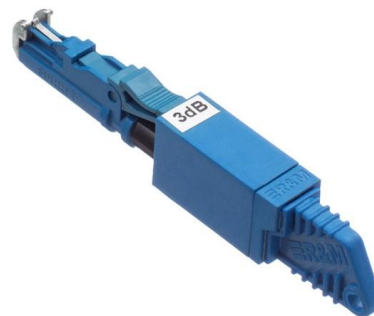
- 1. 框架
- 2. 柜门
- 3. 安装板
- 4. 方孔条
- 5. 前门
- 6. 锁

### C-VARM

The C-VARM can be finely adjusted to achieve both precise attenuation levels and maximum use of the camera's optical dynamic range. Optical filter elements have 1/10th wave flatness specifications to

### Compact Laser Beam Attenuator , EKSMA Optics

Compact continuously variable laser beam attenuator, featuring precision opto-mechanics and high-LIDT optical components: Brewster-type thin film polarizer



### Coherent VOAPXle Specifications

Precise and Fast Variable Optical Attenuator The built-in power meter and power stabilization function lets you set and maintain the output power stability even when the input power fluctuates. You will

### Variable Optical Attenuators



Fiber Variable Optical Attenuators GAO's variable optical attenuators are devices that combines the functionalities of a variable optical attenuator with testing capabilities. It allows you to both control the



### Fiber Optics Attenuators

Fiber Optics Attenuators - The Ultimate Guide on How they work? An optical attenuator is a passive device used to reduce the power level of an optical

### (PDF) Defending Against the Homodyne Detector-Blinding Attack on

Defending Against the Homodyne Detector-Blinding Attack on Continuous-Variable Quantum Key Distribution Using an Adjustable Optical Attenuator



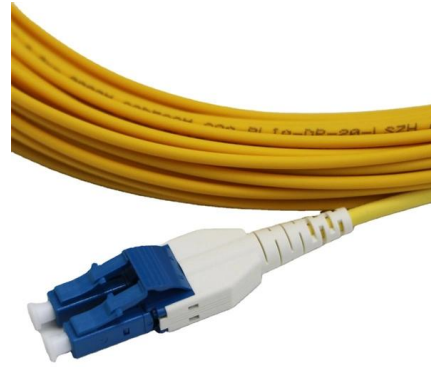
### Variable Optical Attenuators VOA

Variable Stand-Alone Attenuators The MATRIQ series of variable stand-alone attenuators have built-in power meters and a power stabilization function. This allows output power, for example, to be



### Continuously Variable Attenuators

The frequency range of our continuously variable attenuators is from 1 GHz to 18 GHz. This variable attenuator product line includes low to high power attenuators which have the power handling up to 5



### Continuously Variable Attenuator

The Coherent® Lasercam(TM) Beam Profiler features excellent signal-to-noise ratio and linear response for accurate pulsed as well as CW laser beam dimension and uniformity measurements.

### Laser Power Attenuators

Compact Variable Attenuators designed to continuously attenuate linearly polarized laser beams. Clear aperture  $\varnothing$ 17 mm or  $\varnothing$ 22 mm. Models for fixed wavelengths from 257 nm to 1064 nm available, other



### Variable Optical Attenuators

Variable optical attenuators, used in fiber communications, vary light attenuation. The article discusses operation principles and various performance parameters.



**APN0002**

The DA-100 handheld Digital Variable Attenuator provides a single means of setting optical attenuation directly through a keypad. The DA-100 comes complete with a large LCD display and a simple to use



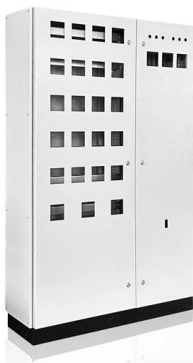
### **FVA-600 , Optical Attenuator , Optical Testing**

Designed for optimal flexibility and field usability, the FVA-600 delivers the highest performance within handheld optical attenuators on the

### **OZ Optics Online. MEMS Variable Attenuators**

MEMS Variable Attenuators by OZ Optics offer precise optical power control for fiber optic applications, ensuring high performance and reliability.

#### **Product Catalog**



### **How a Variable Optical Attenuator Works - Principle, Types**

Learn how variable optical attenuators (VOAs) control optical power. Explore MEMS, LCD, and fiber-bend VOA types, specifications, and applications.



## Variable Laser Beam Attenuator , Neutral Density (ND) Filters

Click below to contact Ophir Photonics and we'll get back with you shortly. Contact Ophir Photonics



## Continuously Variable Attenuators

Examples: To order an attenuator, 2~2.2GHz, N female, 0~10dB attenuation, specify QCA50-2-2.2-10. Customization is available upon request.

## Variable attenuators

All of EXFO's modular (IQS line) and benchtop variable attenuators are built for top performance and utmost accuracy with distinct sets of features and specifications to suit various testing needs. Ideal



## Attenuators

Variable Attenuators have low minimum insertion loss, small size, lightweight, operational to 105°C without degradation, excellent for communications.



## Contact Us

---

For datasheets, pricing, or custom high-speed optical interconnect solutions,  
please visit:

<https://www.syropy.com.pl>